



It's Your Turn

Eppendorf Centrifuge 5702, 5702 R and 5702 RH



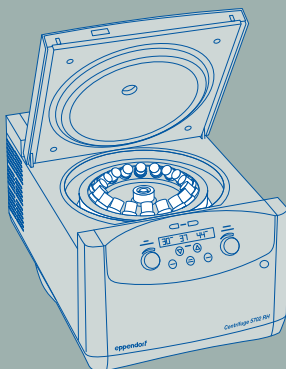
The Eppendorf approach to product development is – and has always been – about giving you more. More quality, more innovation. All of our centrifuges personalize this philosophy. They all go beyond speed and capacity to offer you unparalleled ergonomic operation, superior temperature control and outstanding product quality.

»Eppendorf Centrifuges – The Benchmark in Ergonomic Operation.«

The Centrifuge 5702 family was specifically developed for low to medium throughput applications with low speed requirements.

Ergonomics

- > Very compact footprint to fit on every lab bench
- > Very quiet operation to benefit your environment
- > Low access height for simple loading and unloading of samples



Temperature management

- > Optimized air flow minimizes sample warming during run (5702)
- > FastTemp function for fast precooling (5702 R/RH)
- > ECO shut-off engages after 8 hours of nonuse to reduce energy consumption and extend compressor life (5702 R/RH)



Quality and safety

- > Stainless steel rotor chamber is rust-free and easy to clean
- > Imbalance detection for maximum safety
- > Key lock to prevent accidental parameter changes
- > Aerosol-tight caps for safe centrifugation of hazardous samples optionally available



Feature Overview



Ergonomic lid operation

- > Soft-touch lid closure and low opening height for stress-free lid locking

Optimized cooling performance

- > Dynamic compressor control with ECO shut-off function (refrigerated models only)

Quiet operation

- > All models are designed to operate at low noise levels for a relaxing work environment

Low access height

- > Easy loading/unloading of samples

The right model for your application:

- > Centrifuge 5702 for standard applications
- > Refrigerated Centrifuge 5702 R for heat sensitive samples
- > Heated and refrigerated Centrifuge 5702 RH allows centrifugation under biological conditions to improve cell viability for more accurate results in downstream applications (e.g. cell cultivation)

Product features


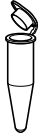

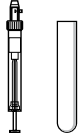
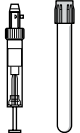
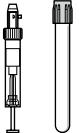


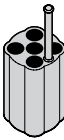
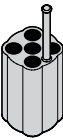
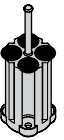


- > Max. speed: 3,000 × *g* (4,400 rpm)
- > Very compact footprint to fit on every lab bench
- > Very quiet operation to benefit your environment
- > Low access height for simple loading and unloading of samples
- > SOFT brake function for slow acceleration and braking. Optimized for cell separation by gradient centrifugation
- > »At set RPM« function starts the timer when the selected rotational speed is reached for reproducible centrifugation runs
- > Key lock to prevent unintentional adjustments
- > Electronic imbalance detection for maximum safety

Special features for Centrifuge 5702 R and Centrifuge 5702 RH

- > Temperature settings from –9 °C to 40 °C (5702 R) / 42 °C (5702 RH)
- > FastTemp function for fast precooling
- > Continuous cooling maintains a constant temperature after the run has been completed – your samples stay cool
- > ECO shut-off engages after 8 hours of nonuse to reduce energy consumption and extend compressor life
- > Two program keys to store routine procedures
- > Active heating guarantees high temperature accuracy during the entire centrifugation cycle (only 5702 RH)

Swing-bucket Rotor A-4-38




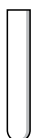



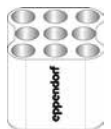
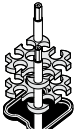

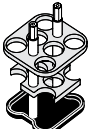
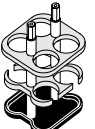
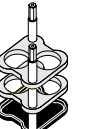
Rotor A-4-38 with round buckets

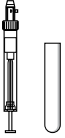



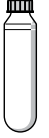
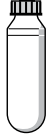


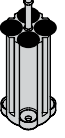
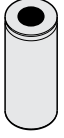
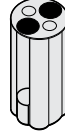

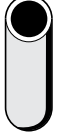


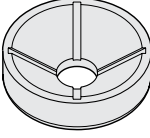
| | | | | | | |
|---|---|---|---|---|---|---|
|  |  |  |  |  |  |  |
| Volume (mL) | 1.5–2.0 | 1.1–1.4 | 2–7 | 2.6–7 | 4–10 | Eppendorf Tubes® 5.0 mL |
| Max. tube diameter | 11 mm | 8.5 mm | 12.5 mm | 13.5 mm | 16 mm | – |
| Max. vessel height | 43 mm | 100 mm | 100 mm | 100 mm | 100 mm | 60 mm |
| Max. vessel height for use with cap¹⁾ | 43 mm | 100 mm | 100 mm | 100 mm | 100 mm | 60 mm |
| Adapter |  |  |  |  |  |  |
| Number of vessels per adapter/rotor | 4/16 | 5/20 | 5/20 | 4/16 | 4/16 | 1/4 |
| Bottom shape | round | flat | flat | flat | flat | flat |
| Centrifugation radius | 134 mm | 132 mm | 132 mm | 132 mm | 132 mm | 136 mm |
| Max. RCF | 2,900 × g | 2,850 × g | 2,850 × g | 2,850 × g | 2,850 × g | 2,943 × g |
| Catalog No. (set of 2) | 022639277 | 022639285 | 022639102 | 022639242 | 022639269 | 5702833008 |

¹⁾ Exceeding the maximum tube length may reduce the loading capacity of the rotor. Please perform a manual swing-out test before starting the centrifuge run to make sure the tubes do not hit the rotor yoke.

²⁾ Nominal tube volume as published by tube manufacturers

Rotor A-4-38 with rectangular buckets

| | | | | | | |
|---|---|---|---|---|---|---|
|  |  |  |  |  |  |  |
| Volume (mL) | 2–7 | 5–7 | 9 | 15 | 20 | 25 |
| Max. tube diameter | 12 mm | 13 mm | 14.5 mm | 17.5 mm | 22 mm | 25 mm |
| Adapter |  |  |  |  |  |  |
| Number of vessels per adapter/rotor | 9/36 | 10/40 | 8/32 | 6/24 | 4/16 | 2/8 |
| Bottom shape | round | flat | flat | flat | flat | flat |
| Centrifugation radius | 119 mm | 127 mm | 127 mm | 127 mm | 127 mm | 127 mm |
| Max. RCF | 2,577 × g | 2,750 × g | 2,750 × g | 2,750 × g | 2,750 × g | 2,750 × g |
| Catalog No. (set of 2) | 5702763004 | 022639323 | 022639340 | 022639366 | 022639382 | 022639391 |

| | | | | | | | |
|---|---|---|---|---|---|---|---|
|  |  |  |  |  |  |  |  |
| 9–15 | 15 mL conical | 15 mL conical | 25 | 20–30 mL | 50 mL | 50 mL conical | 85–100 ²⁾ |
| 17.5 mm | 17.2 mm | 17.2 mm | 25 mm | 26 mm | 29 mm | 30 mm | 38 mm |
| 100 mm | 121 mm | 121 mm | 100 mm | 123 mm | 123 mm | 115 mm | 106 mm |
| 100 mm | 120 mm | – | 100 mm | 116 mm | 116 mm | 115 mm | 106 mm |
|  |  |  |  |  |  |  |  |
| 4/16 | 1/4 | 2/8 | 1/4 | 1/6 | 1/6 | 1/4 | 1/4 |
| round | conical | conical | round | round | round | conical | round |
| 130 mm | 137 mm | 137 mm | 135 mm | 135 mm | 135 mm | 135 mm | 135 mm |
| 2,800 × <i>g</i> | 3,000 × <i>g</i> | 3,000 × <i>g</i> | 2,900 × <i>g</i> | 2,900 × <i>g</i> | 2,900 × <i>g</i> | 2,900 × <i>g</i> | 2,900 × <i>g</i> |
| 022639129 | 022639188 | 022639200 | 022639145 | 022637240 | 022637258 | 022639226 | 022639161 |

Rotor A-4-38 with round buckets

- > Maximum speed: 3,000 × *g* (4,400 rpm)
- > Standard rotor for centrifugation of blood collection tubes or 15/50 mL conical tubes
- > Round buckets for vessels with 1.5–100 mL
- > Aerosol-tight caps for safe centrifugation of hazardous samples optionally available

Ordering information

| Description | Catalog No. |
|---|-------------|
| Rotor A-4-38 | |
| incl. 4 round buckets 100 mL | 022639048 |
| Round bucket 100 mL , for Rotor A-4-38, set of 4 | 022639081 |
| Aerosol-tight caps for 100 mL round buckets , set of 2 | 022639293 |

Rotor A-4-38 with rectangular buckets

- > Maximum speed: 2,750 × *g* (4,400 rpm)
- > Rectangular buckets for vessels with 5–25 mL

Ordering information

| Description | Catalog No. |
|--|-------------|
| Rotor A-4-38 , without buckets | 022639064 |
| Rectangular bucket 90 mL , for Rotor A-4-38, set of 4 | 022639307 |
| Rotor A-4-38 , with rectangular buckets | 022639304 |



8 x 15 mL swing-bucket (A-8-17; 022639501)

- > Maximum speed: $2,800 \times g$ (4,400 rpm)
- > Low capacity rotor for centrifugation of 15 mL conical tubes or 15 mL glass tubes
- > Adapters for 15 mL conical tubes (022639528, set of 8) and rubber mat inserts (022639510, set of 8) for glass tubes optionally available



24 x 1.5/2.0 mL (F-45-24-11; 022639471)

- > Maximum speed: $1,770 \times g$ (4,400 rpm)
- > Fixed-angle rotor for 24 x 1.5/2.0 mL tubes
- > Quiet centrifugation even without rotor lid
- > Adapters optionally available for:
 - 0.2 mL PCR tubes (022636260)
 - 0.4 mL centrifuge tubes (022636243)
 - 0.5 mL micro test tubes and Microtainer® tubes (022636227)
- > Rotor and adapters are autoclavable (121 °C, 20 min)



30 x 15 mL fixed-angle (F-35-30-17)

- > Maximum speed: $2,750 \times g$ (4,400 rpm)
- > High capacity rotor for 20 x 15 mL conical tubes or 30 x 15 mL glass tubes
- > Inserts for 15 mL conical tubes and rubber mats for use with glass tubes are included
- > Available with 30 sleeves for 15 mL tubes, with 20 conical adapters and 30 rubber mats (022639404) or with 10 steel sleeves for 15 mL conical tubes, incl. 10 conical adapters and 10 rubber mats (022639421)



18 x Cryotubes or HPLC vials (F-45-18-17-Cryo; 022639480)

- > Maximum speed: $1,840 \times g$ (4,400 rpm)
- > Quiet centrifugation even without rotor lid
- > Centrifugation of 1–2 mL Cryotube® (max. 13 mm Ø, use with adapter) and tubes with screw cap (max. 17 mm Ø, no adapter required)
- > Rotor and adapters are autoclavable (121 °C, 20 min)

Technical specifications

| Model | Centrifuge 5702 | Centrifuge 5702 R | Centrifuge 5702 RH |
|------------------------|---|---|---|
| Max. RCF | 3,000 × <i>g</i> | 3,000 × <i>g</i> | 3,000 × <i>g</i> |
| Speed | 100–4,400 rpm (100 rpm increments) | 100–4,400 rpm (100 rpm increments) | 100–4,400 rpm (100 rpm increments) |
| Max. capacity | 4 × 100 mL | 4 × 100 mL | 4 × 100 mL |
| Rotors available | 6 | 6 | 6 |
| Acceleration time | 25 s | 25 s | 25 s |
| Deceleration time | 25 s | 25 s | 25 s |
| SOFT brake function | yes | yes | yes |
| Timer | 0–99 min, with continuous run function | 0–99 min, with continuous run function | 0–99 min, with continuous run function |
| Temperature settings | – | –9 °C to 40 °C | –9 °C to 42 °C |
| Noise level | <51 dB(A) with Rotor A-4-38 | <45 dB(A) with Rotor A-4-38 | <45 dB(A) with Rotor A-4-38 |
| Max. power consumption | 200 W | 380 W | 380 W |
| Dimensions (W × D × H) | 12.5 × 15.6 × 9.5 in / 32 × 40 × 24 cm | 15 × 22.8 × 10.2 in / 38 × 58 × 26 cm | 15 × 22.8 × 10.2 in / 38 × 58 × 26 cm |
| Height (with open lid) | 20.7 in / 53 cm | 23.4 in / 60 cm | 23.4 in / 60 cm |
| Weight without rotor | 44 lb / 20 kg | 78 lb / 36 kg | 78 lb / 36 kg |

Ordering information

| Description | Catalog No. |
|---|-------------|
| Centrifuge 5702, without rotor, 120 V/50–60 Hz | 022626001 |
| Centrifuge 5702, Cell culture package, 120 V/50–60 Hz | 022628102 |
| Centrifuge 5702, Clinical package, 120 V/50–60 Hz | 022628001 |
| Centrifuge 5702 R, refrigerated, without rotor, 120 V/50–60 Hz | 022626205 |
| Centrifuge 5702 R, refrigerated, Cell culture package, 120 V/50–60 Hz | 022628113 |
| Centrifuge 5702 R, refrigerated, Clinical package, 120 V/50–60 Hz | 022628012 |
| Centrifuge 5702 RH, refrigerated/heated, without rotor, 120 V/50–60 Hz | 022626213 |
| Centrifuge 5702 RH, refrigerated/heated, Cell culture package, 120 V/50–60 Hz | 022628124 |
| Centrifuge 5702 RH, refrigerated/heated, Clinical package, 120 V/50–60 Hz | 022628023 |

Centrifuge Family Overview

Eppendorf Microcentrifuges



| | MiniSpin® | MiniSpin® plus | 5418 | 5418 R | 5424 | 5424 R | 5427 R | 5430 | 5430 R |
|-------------------------|---------------|----------------|-----------------|---------------|-------------------------|-----------------|-----------------|--|-----------------|
| Model | Entry-level | | Medium capacity | | The laboratory standard | | High throughput | Microcentrifuge with multipurpose capabilities | |
| Max. Capacity | 12 × 1.5/2 mL | | 18 × 1.5/2 mL | | 24 × 1.5/2 mL | | 48 × 1.5/2 mL | 48 × 1.5/2 mL (6 × 15/50 mL, 2 × MTP) | |
| Max. speed (RCF) | 12,100 × g | 14,100 × g | 16,873 × g | | 20,238 × g | 21,130 × g | 25,000 × g | 30,130 × g | |
| Max. rpm | 13,400 | 14,500 | 14,000 | | 14,680 | 15,000 | 16,220 | 17,500 | |
| Rotor options | 2 | | 1 | | 4 | | 9 | 12 | |
| Refrigerated | - | - | - | 0 °C to 40 °C | - | -10 °C to 40 °C | -10 °C to 40 °C | - | -11 °C to 40 °C |
| Catalog No. | 022620100 | 022620207 | 022620304 | 5401000137 | 022620401 | 5404000537 | 5409000136 | 022620596 | 022620689 |

Eppendorf Multipurpose Centrifuges



| | 5702 | 5702 R | 5702 RH | 5804 | 5804 R | 5810 | 5810 R | 5920 R |
|------------------------------------|--|----------------|--|--|----------------|--|----------------|---|
| Model | Low speed centrifuge for medium capacity needs | | Active heating and cooling for high temperature accuracy | Compact high speed centrifuge for medium capacity needs. With swing-bucket rotor and deepwell plate capacity | | The workhorse for medium to high-throughput laboratories: Highly versatile, high speed and high plate capacity | | Bench-top centrifuge with floor-standing capabilities |
| Capacity | 4 × 100 mL | | | 4 × 250 mL | | 4 × 750 mL | | 4 × 1,000 mL |
| > Conical tubes | 20 × 15 mL/4 × 50 mL | | | 40 × 15 mL/16 × 50 mL | | 56 × 15 mL/28 × 50 mL | | 108 × 15 mL/ 52 × 50 mL |
| > Blood collection tubes | 36 × 13 mm/30 × 16 mm | | | 56 × 13 mm/52 × 16 mm | | 100 × 13 mm/80 × 16 mm | | 196 × 13 mm/ 148 × 16 mm |
| > Plates | | | | 10 × MTP/2 × DWP | | 16 × MTP/4 × DWP | | 28 × MTP/8 × DWP |
| Max. speed (RCF) | 3,000 × g | | | 20,913 × g | | 20,913 × g | | 25,062 × g |
| Max. rpm | 4,400 | | | 14,000 | | 14,000 | | 13,700 |
| Rotor options | 6 | | | 12 | | 18 | | - |
| Refrigerated | - | -9 °C to 40 °C | -9 °C to 42 °C | - | -9 °C to 40 °C | - | -9 °C to 40 °C | -11 °C to 40 °C |
| Catalog No. | 022626001 | 022626205 | 022626213 | 022622501 | 022623508 | 022625004 | 022625501 | 5948000131 |

Technical specifications subject to change. Errors and omissions excepted.

Eppendorf North America, Inc.
Phone: 800-645-3050
Email: info@eppendorf.com

Eppendorf Canada Ltd.
Phone: 800-263-8715
Email: canada@eppendorf.com

www.eppendorf.com/centrifugation