

## Installation Guide

Adapter for microscope Olympus® IX 1/IX 2 Series  
English (EN)

These mounting instructions are a supplement to the operating manuals for the micromanipulators and are not a substitute, so also read the operating manuals before using the adapter for the first time. The current versions of the operating manuals can be found on the Internet at [www.eppendorf.com](http://www.eppendorf.com).

## 1 Installation

Adapter for mounting a micromanipulator to a microscope.

Adapter Olympus® 1 for Olympus® microscope models:

- IX50, IX70, IX80
- IX51, IX71, IX81

For Eppendorf micromanipulators:

- TransferMan® 4r
- TransferMan® 4m
- InjectMan® 4

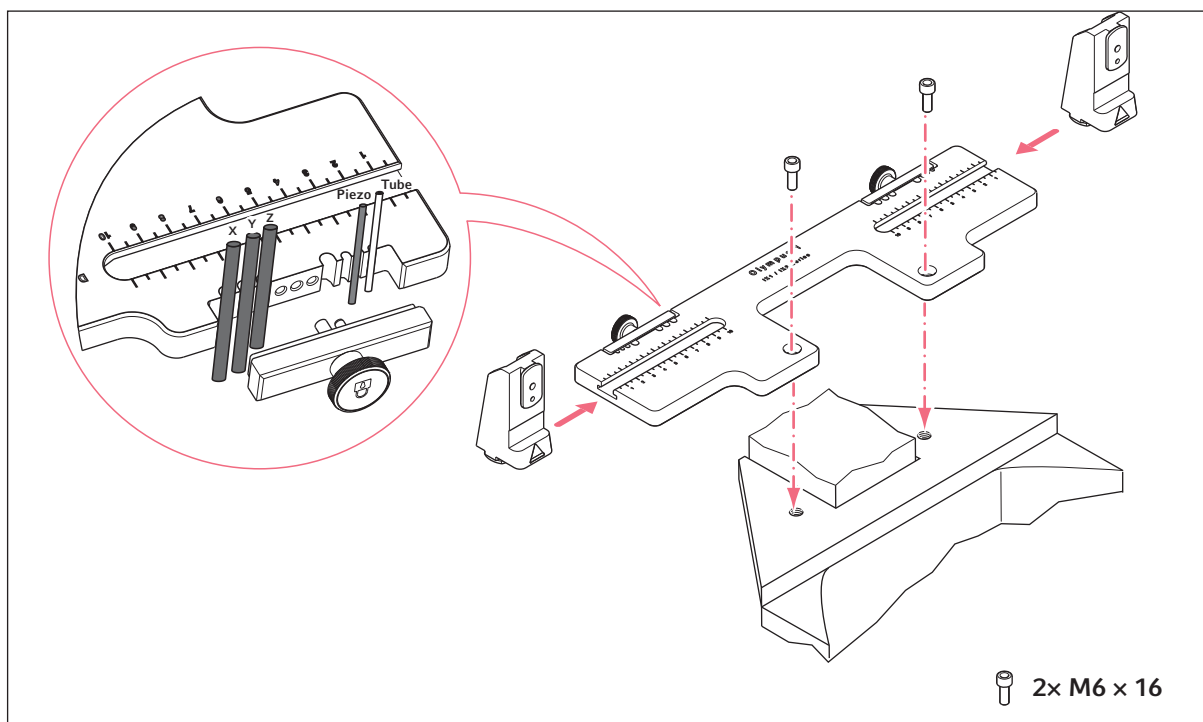


Fig. 1: Assembly overview and delivery package

### Installation Guide

Adapter for microscope Olympus® IX 1/IX 2 Series  
English (EN)

## 2 Example parameter for installation

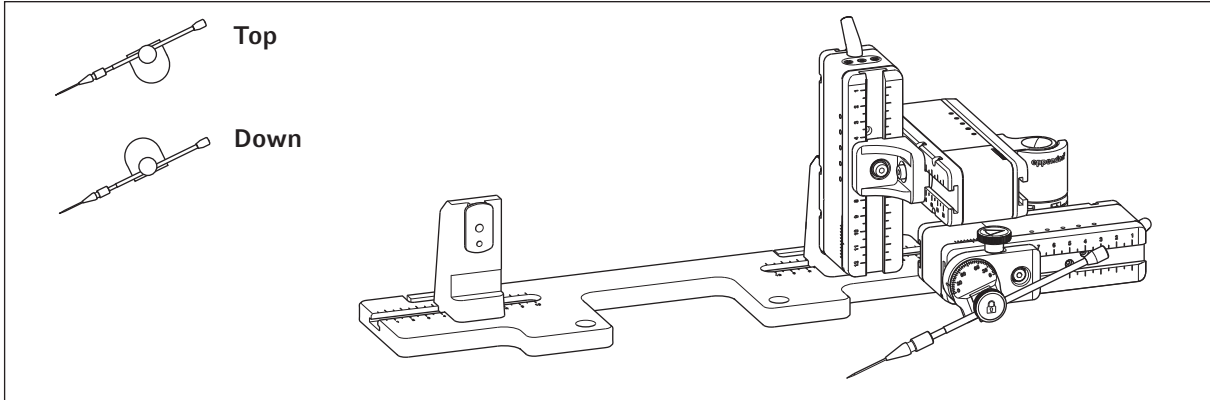


Fig. 2: Overview adapter plate with right side mounted motor module

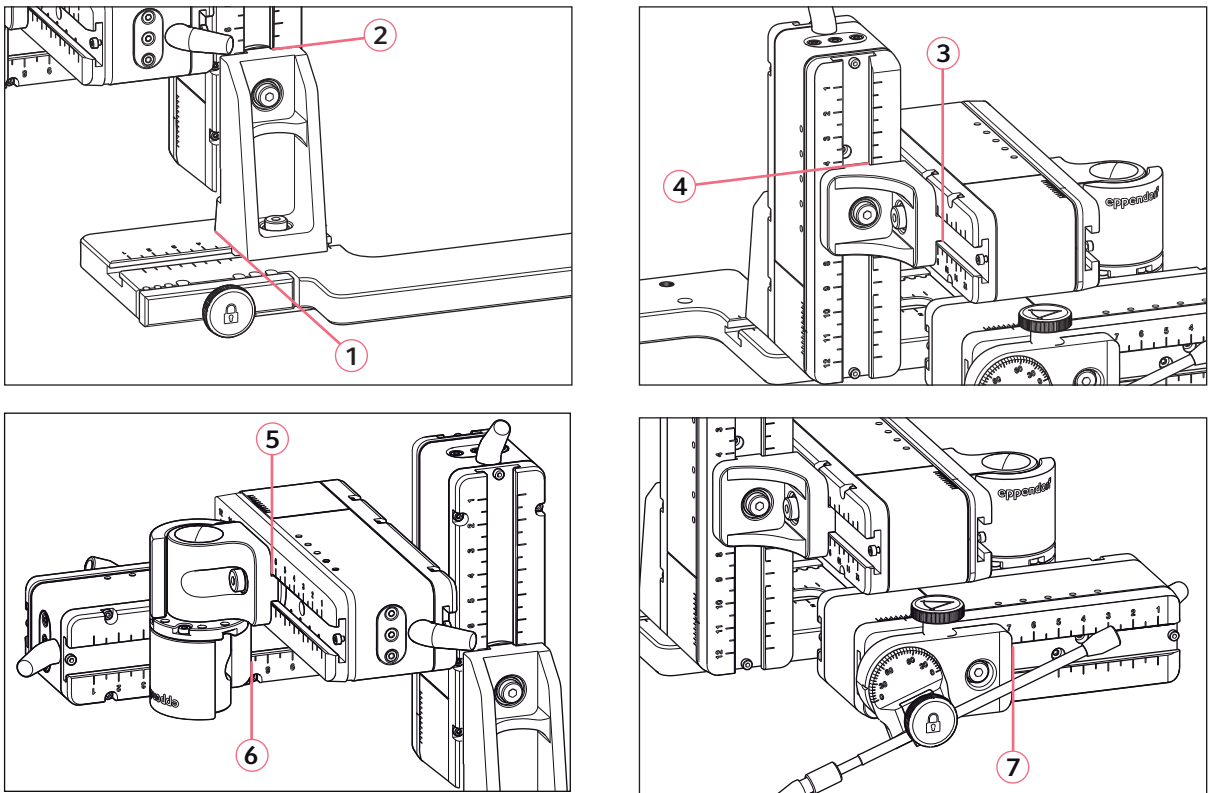


Fig. 3: Adjusting motor modules using example position parameters of table 1

Tab. 1: Example position parameters for different mounting angles

Position holder	Angle	1 [cm]	2 [cm]	3 [cm]	4 [cm]	5 [cm]	6 [cm]	7 [cm]
Down	10°	6.5	7.0	9.2	4.2	6.8	6.8	9.0
Top	25°	6.5	7.0	9.2	5.2	6.8	6.8	9.0
Top	35°	6.5	7.0	9.2	4.1	6.8	6.3	9.0
Top	45°	6.5	7.0	9.2	2.4	6.8	5.5	9.0

### 3 Ordering information

Order no. (International)	Order no. (North America)	Description
5192 306.002	5192306002	<b>Adapter for microscope</b> Olympus 1 IX50, IX51, IX70, IX80, IX81