

## Installation guide

Adapter Bridge

English (EN)

These mounting instructions are a supplement to the operating manuals for the micromanipulators and are not a substitute, so also read the operating manuals before using the adapter for the first time. The current versions of the operating manuals can be found on the Internet at [www.eppendorf.com](http://www.eppendorf.com).

## 1 Installation

Adapter for mounting a micromanipulator to a microscope.

For microscopes with adapters for TransferMan® NK2, InjectMan® NI2 and PatchMan NP2.

For Eppendorf micromanipulators:

- TransferMan® 4r
- TransferMan® 4m
- InjectMan® 4

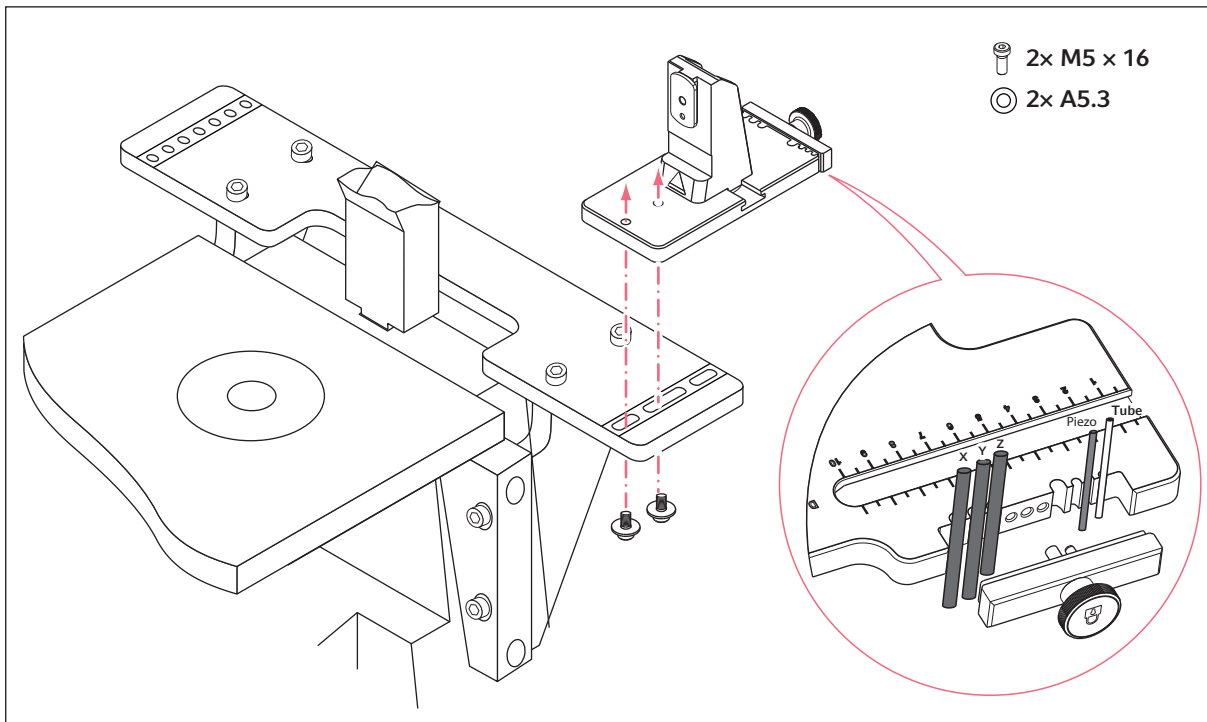


Fig. 1: Assembly overview and delivery package

## 2 Example parameter for installation

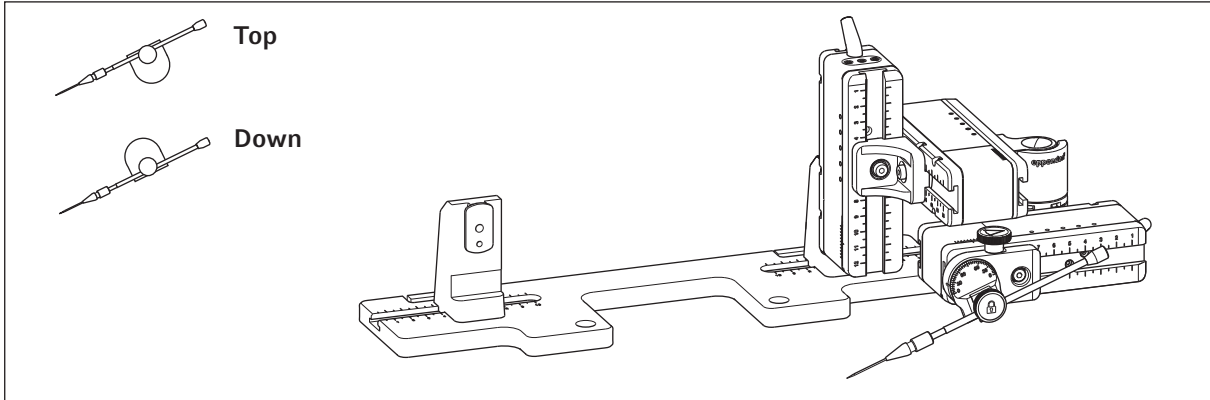


Fig. 2: Overview adapter plate with right sight mounted motor modules

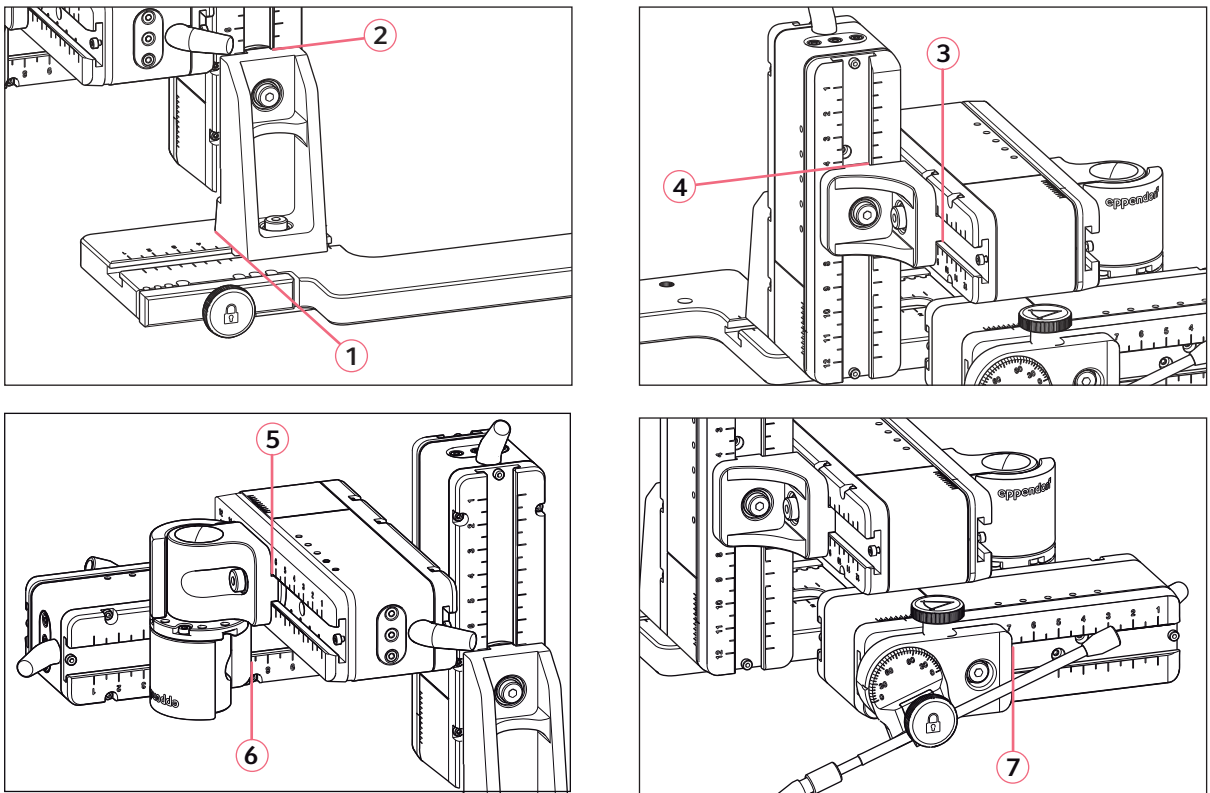


Fig. 3: Adjusting motor modules using examples position parameters of table 1

Tab. 1: Example position parameters for different mounting angles

Position holder	Angle	1 [cm]	2 [cm]	3 [cm]	4 [cm]	5 [cm]	6 [cm]	7 [cm]
Down	10°	1	7.0	9.4	6.5 <sup>2</sup>	6.6	3.9	8.5
Down	25°	1	7.0	9.4	4.6 <sup>2</sup>	6.6	3.9	9.2
Top	25°	1	7.0	9.4	7.3 <sup>2</sup>	6.6	3.9	8.4
Top	35°	1	7.0	9.4	5.2 <sup>2</sup>	6.6	3.9	9.3
Top	45°	1	7.0	9.4	4.2 <sup>2</sup>	6.6	3.9	9.8

<sup>1</sup> Max. close to the microscope.

<sup>2</sup> Measured with adapters with 32/47 mm rollers.

### 3 Ordering information

Order no. (International)	Order no. (North America)	Description
5192 321.001	5192321001	<b>Adapter bridge</b> for micromanipulators TransferMan 4m/4r, InjectMan 4