

Installation Guide

Adapter for microscope Nikon® Eclipse® Ti-E/Ti-U/Ti-S/TE 2000
English (EN)

These mounting instructions are a supplement to the operating manuals for the micromanipulators and are not a substitute, so also read the operating manuals before using the adapter for the first time. The current versions of the operating manuals can be found on the Internet at www.eppendorf.com.

1 Installation

Adapter for mounting a micromanipulator on a microscope.

Adapter Nikon® 1 for Nikon® microscope models:

- Eclipse® Diaphot 200, 300
- Eclipse® Ti-E, Ti-U, Ti-S
- TE200, TE300, TE2000

For Eppendorf micromanipulators:

- TransferMan® 4r
- TransferMan® 4m
- InjectMan® 4

Installation Guide

Adapter for microscope Nikon® Eclipse® Ti-E/Ti-U/Ti-S/TE 2000
English (EN)

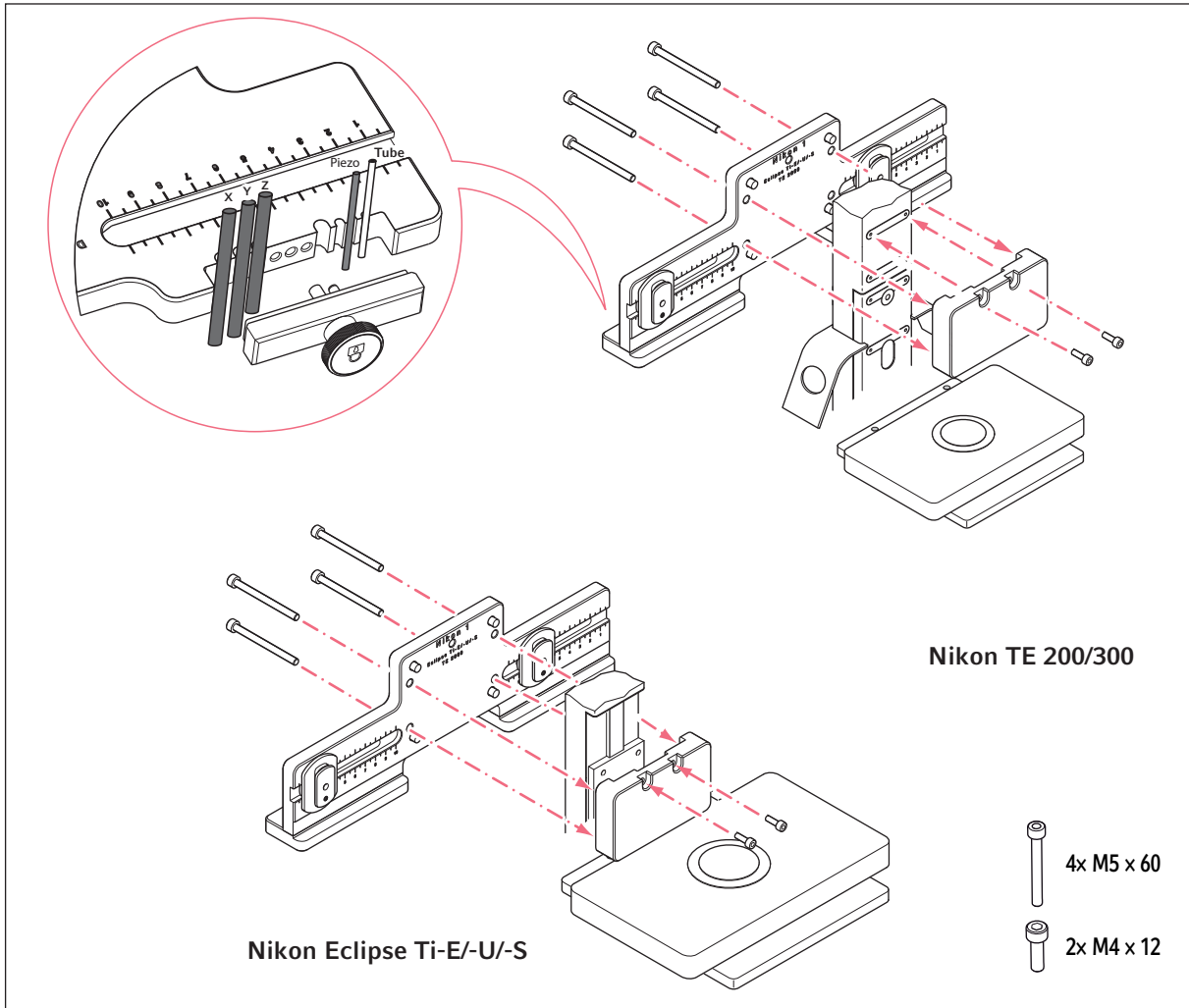


Fig. 1: Assembly overview and delivery package

2 Example parameter for installation

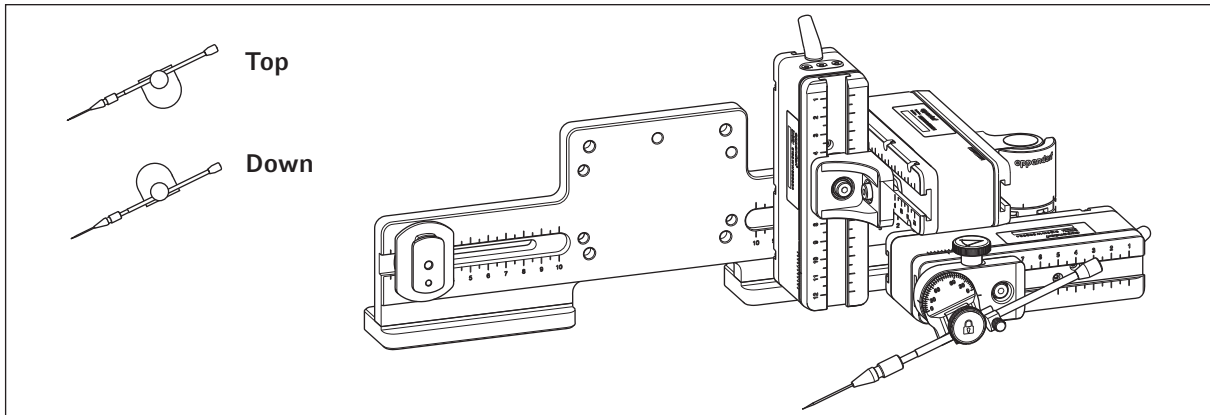


Fig. 2: Overview adapter plate with right side mounted motor modules

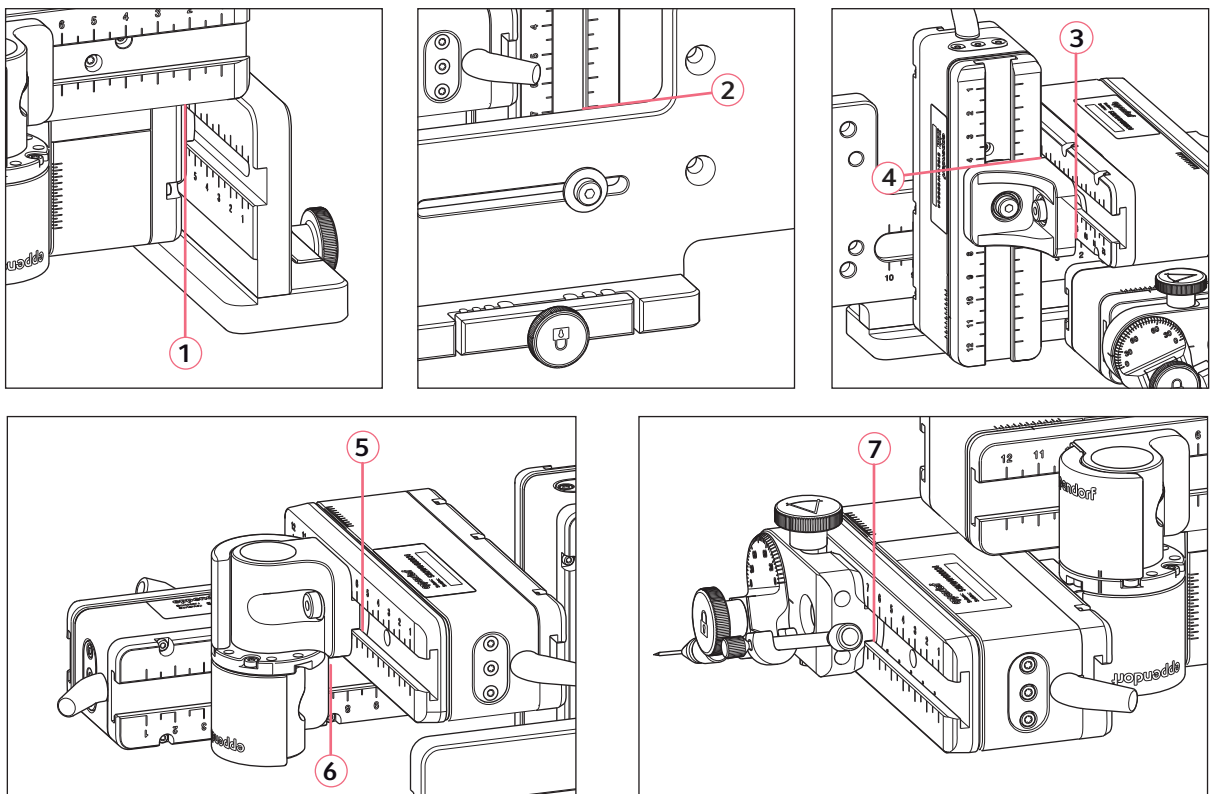


Fig. 3: Adjusting motor modules using example position parameters of table 1

Installation Guide

Adapter for microscope Nikon® Eclipse® Ti-E/Ti-U/Ti-S/TE 2000
English (EN)

Tab. 1: Example position parameters for different mounting angles

Position holder	Angle	1 [cm]	2 [cm]	3 [cm]	4 [cm]	5 [cm]	6 [cm]	7 [cm]
Down	10°	6.6	7.0	7.2	3.4	8.5	8.6	10.0
Down	25°	6.6	7.0	7.2	1.7	8.5	7.7	10.0
Top	25°	6.6	7.0	7.2	3.8	8.5	7.7	7.2
Top	35°	6.6	7.0	7.2	2.8	8.5	7.7	8.3
Top	45°	6.6	7.0	7.2	2.1	8.5	6.3	8.3

3 Ordering information

Order no. (International)	Order no. (North America)	Description
5192 316.008	5192316008	Adapter for microscope Nikon 1 Eclipse Diaphot 200, 300, Eclipse Ti-E, Ti-U, Ti-S, TE200, TE300, TE2000

Your local distributor: www.eppendorf.com/contact
Eppendorf SE · Barkhausenweg 1 · 22339 Hamburg · Germany
eppendorf@eppendorf.com · www.eppendorf.com