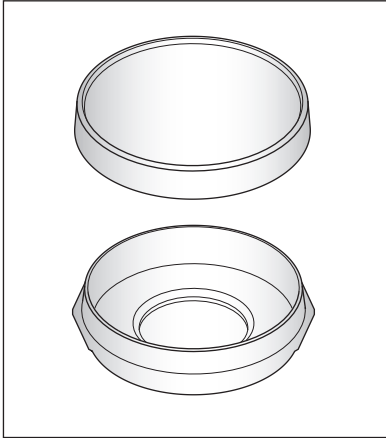


Instructions for use

Cell Imaging Dish
English (EN)

1 Product description



The Eppendorf Cell Imaging Dishes are equipped with a coverglass bottom. The glass bottom diameter is 18 mm. The Eppendorf Cell Imaging Dishes are available with two different glass bottoms, with a thickness of 145 μm and 170 μm . When selecting the thickness, take into consideration that it has to be compatible with the microscope.

The Eppendorf Cell Imaging Dishes are well suited for growth, manipulation and microscopy of cells.

The extremely flat surface of the glass bottom enables precise microscopy or manipulation of cells.

Eppendorf Cell Imaging Dishes can be used in training, routine and research laboratories in the fields of life sciences, industry, or chemistry. The product is intended for research purposes only. Any other use is not warranted by Eppendorf. Not intended for use in diagnostic or therapeutic procedures.

The Eppendorf Cell Imaging Consumables may only be operated by skilled personnel who have been trained in the areas mentioned above.

2 Notes for use



WARNING! Risk of contamination from multiple use.

Consumables are intended for single-use only.

- ▶ After use, dispose of consumables in accordance with the substances with which they have come into contact.



WARNING! Risk of contamination

Consumables are only sterile in sealed packaging.

- ▶ Please check that the packaging is undamaged.
- ▶ Observe the expiry date printed on the packaging.
- ▶ Only open the packaging immediately before use.
- ▶ Only use visually perfect and undamaged items.
- ▶ Do not use liquid nitrogen. The consumables could get damaged or the lids could burst open during thawing.



WARNING! Damage to health due to infectious liquids and pathogenic germs.

- ▶ When handling infectious liquids and pathogenic germs, observe the national regulations, the biological security level of your laboratory, the material safety data sheets, and the manufacturer's application notes.
- ▶ Wear personal protective equipment.
- ▶ For full instructions regarding the handling of germs or biological material of risk group II or higher, please refer to the "Laboratory Biosafety Manual" (Source: World Health Organization, current edition of the Laboratory Biosafety Manual).



CAUTION! Risk of injury from glass fragments!

Glass fragments can cause cuts.

- ▶ Handle consumables made from glass with care. Avoid glass breakage.
- ▶ Do not touch glass fragments with your hands. Use suitable tools to pick up glass fragments.

-
- ▶ Reagents, consumables contaminated by reagents and materials used for cleaning and disinfecting must be disposed of in accordance with laboratory regulations.
 - ▶ The surface is tissue culture treated (TCT). The surface should be coated with an appropriate biological coating (e.g. collagen) to support cell attachment and growth.
 - ▶ If any aggressive chemicals (e.g., acetone) are used, please contact the Eppendorf Application Support (support@eppeppendorf.com)

3 Technical data

	Cell Imaging Dish 145 µm	Cell Imaging Dish 170 µm
Material	Borosilicate	
Hydrolytic class	1	
Thickness	145 µm	170 µm
Refraction index	1.52	
Abbe coefficient	55	
Operational temperature	-20 °C to +50 °C	
Dish diameter (width × height)	35 mm × 10 mm	
Coverglass diameter	18 mm	
Total volume	7 mL	
Recommended working volume	2 mL	
Recommended cell seeding volume	0.75 mL	

The dish has been attached to the coverglass using a non-toxic adhesive.

Certificates

Certificates:	The certificates can be found at www.eppendorf.com .
Lot-specific certificates:	Sterility Free of detectable RNase/DNase, DNA and pyrogens Lot-specific certificates can be found at www.eppendorf.com .

4 Ordering information

Order no. (International)	Order no. (North America)	Description
0030 740.009	0030740009	Cell Imaging Dish 145 µm, 35 × 10 mm 30 pieces
0030 740.017	0030740017	Cell Imaging Dish 170 µm, 35 × 10 mm 30 pieces