

Instructions for use

Adapter for S-4xUniversal and S-4xUniversal-Large rotors

English (EN)

This document is a supplement to the operating manuals for the Centrifuge 5910 R and Centrifuge 5920 R and does not replace them. Therefore, please also read the operating manuals of the centrifuges before using the rotors and accessories for the first time. You can find the current version of the operating manuals in the available languages on the Internet at www.eppendorf.com/manuals.

1 Safety



CAUTION! Risk of injury due to asymmetric loading of a rotor.

- ▶ Always load all positions of a swing-bucket rotor with buckets.
 - ▶ Load rotors symmetrically with identical tubes and/or plates.
 - ▶ Only load adapters with suitable tubes or plates.
 - ▶ Always use the same type of tubes and plates (weight, material/density and volume). Always observe the max. *g*-force of the tubes and plates indicated by the manufacturer.
 - ▶ Check that loading is symmetrical by balancing the adapters and tubes and/or plates used with a balance.
-



The swing-bucket rotor runs more smoothly if all buckets are loaded symmetrically and with the same weight.

- ▶ To reduce noise and vibrations, load the buckets of the swing-bucket rotor with the same weight.

2 Application

2.1 Performing a swing-out test

If you are using tubes or plates with the adapter for the first time, make sure that the buckets can swing freely.

1. Insert the tube or plate.
2. Swing the buckets manually up to 90°.
 - Bucket swings freely.
 - The tubes do not touch the rotor cross.

2 Instructions for use Adapter for S-4xUniversal and S-4xUniversal-Large rotors English (EN)

2.2 Mixed loading with different adapters

Mixed loading of the S-4xUniversal or S-4xUniversal-Large rotors with different adapters is possible if the adapters are intended for the rotor.

- ▶ Always use adapters and tubes of the same type when loading opposite buckets.
- ▶ Load opposite buckets with the same weight (adapter, tubes, or plates and content).
- ▶ Set the radius for the correct *g-force*.



Information on the radius can be found on the adapter or in the operating manual of the centrifuge.

2.3 Centrifugation of polystyrene plates

Polystyrene plates (e.g., cell-culture plates or ELISA plates) are often clear.

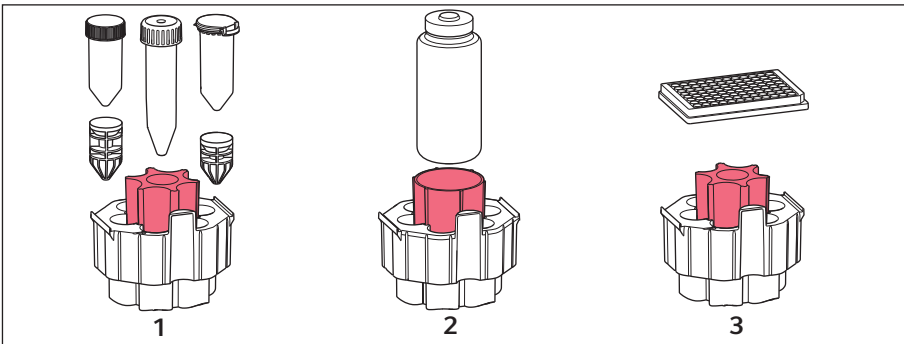
- ▶ In the universal adapters polystyrene plates can only be centrifuged up to a max. of $1\,000 \times g$.
- ▶ If a higher *g-force* is required, perform a test run using a plate filled with water at the required rotational speed and centrifugation time.
- ▶ Note the manufacturer's information regarding the material and centrifugation stability.
- ▶ If in doubt, use the plate carrier.

3 Product description

3.1 Adapter for conical 50 mL tubes, 250 mL bottles and microplates (color gray)

2 different inserts enable the use of conical 25 mL, 50 mL tubes or 250 mL bottles for centrifuging in the adapter.

i The illustration shows the adapter for the S-4xUniversal rotor. The adapters for the S-4xUniversal and S-4xUniversal-Large rotors differ only in the number of bores.



3.1.1 Rotor S-4xUniversal for the Centrifuge 5910R

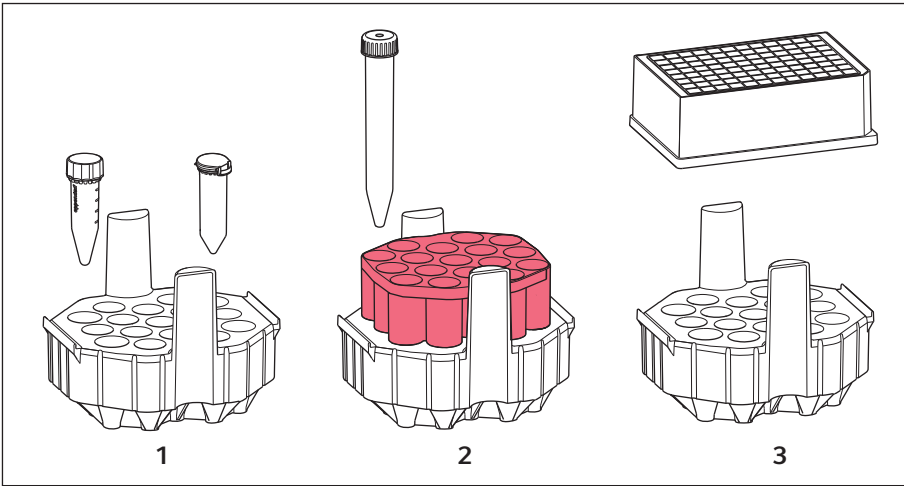
| No. | Tube/plate | Quantity | Note |
|-----|--------------------------------|----------|---|
| 1 | Conical 25 mL tubes snap cap | 7 | ▶ Use the insert for conical tubes and the suitable adapter for conical 25 mL tubes. |
| | Conical 25 mL tubes screw cap | 7 | |
| | Conical 50 mL tubes screw cap | 7 | ▶ Use the insert for conical tubes. |
| 2 | 250 mL flat bottle | 1 | ▶ Use the insert for bottles. |
| | 175 mL – 225 mL conical bottle | 1 | ▶ For conical bottles, use the insert for bottles and, in addition, the adapter provided by the manufacturer of the bottle. |
| 3 | Microplate 96/384 | 1 | ▶ To prevent any damage to the plate, use the insert for conical tubes. ▶ MTP cannot be centrifuged aerosol-tight. |

Instructions for use**4 Adapter for S-4xUniversal and S-4xUniversal-Large rotors**
English (EN)**3.1.2 Rotor S-4xUniversal-Large for the Centrifuge 5920R**

| No. | Tube/plate | Quantity | Note |
|-----|-----------------------------------|----------|--|
| 1 | Conical 25 mL tubes snap cap | 10 | ▶ Use the insert for conical tubes and the suitable adapter for conical 25 mL tubes. |
| | Conical 25 mL tubes screw cap | 10 | |
| | Conical 50 mL tubes screw cap | 10 | ▶ Use the insert for conical tubes. |
| 2 | 250 mL flat bottle | 1 | ▶ Use the insert for bottles. |
| | 175 mL – 225 mL conical bottle | 1 | ▶ For conical bottles, use the insert for bottles and, in addition, the adapter provided by the manufacturer of the bottle. |
| 3 | Microplate 96/384 | 1 | ▶ To prevent any damage to the plate, use the insert for conical tubes. ▶ MTP cannot be centrifuged aerosol-tight. |

3.2 Adapter for Eppendorf Tubes 5 mL, conical 15 mL tubes and microplates/deepwell plates (color orange)

i The illustration shows the adapter for the S-4xUniversal rotor. The adapters for the S-4xUniversal and S-4xUniversal-Large rotors differ only in the number of bores.



3.2.1 RotorS-4xUniversal for the Centrifuge 5910R

| No. | Tube/plate | Quantity | Note |
|-----|--|----------|---|
| 1 | Eppendorf Tubes 5 mL snap cap and screw cap | 17 | ▶ Only use the lower part of the adapter. |
| 2 | Conical 15 mL tubes | 17 | ▶ Use the adapter with the upper part. |
| 3 | Microplate 96/384 Deepwell plate | 1 | ▶ Only use the lower part of the adapter. ▶ DWP 96/1000 and DWP 96/2000 cannot be centrifuged aerosol-tight. |

Instructions for use

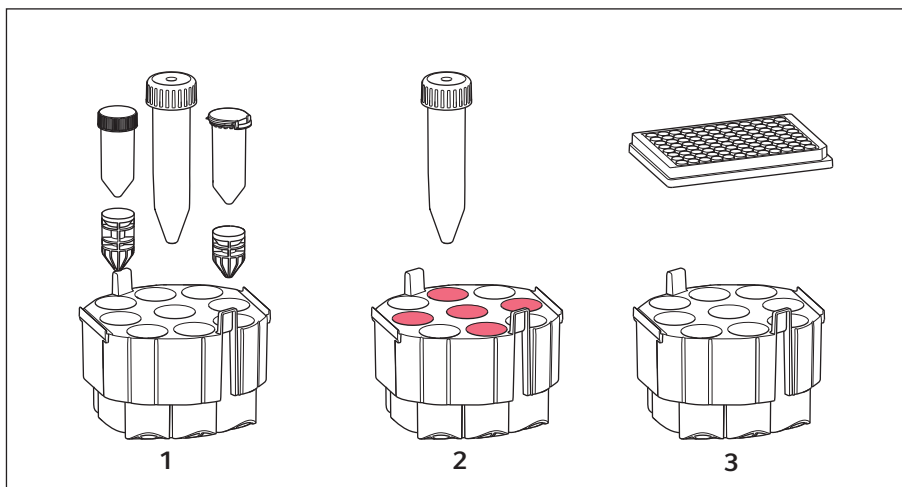
6 Adapter for S-4xUniversal and S-4xUniversal-Large rotors English (EN)

3.2.2 Rotor S-4xUniversal-Large for the Centrifuge 5920R

| No. | Tube/plate | Quantity | Note |
|-----|----------------------------------|----------|---|
| 1 | Eppendorf Tubes 5 mL | 24 | ► Only use the lower part of the adapter. |
| 2 | Conical 15 mL tubes | 24 | ► Use the adapter with the upper part. |
| 3 | Microplate 96/384 Deepwell plate | 1 | ► Only use the lower part of the adapter. |

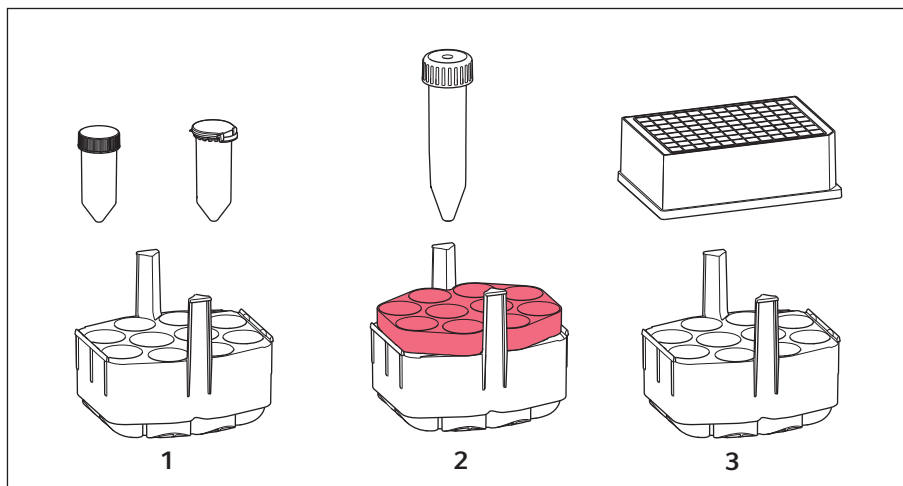
3.3 Adapter for conical 25 mL, 50 mL tubes and microplates (color blue)

3.3.1 Rotor S-4xUniversal for the Centrifuge 5910R



| No. | Tube/plate | Quantity | Notes |
|-----|--|----------|---|
| 1 | Conical 25 mL tubes snap cap and screw cap | 9 | |
| | Conical 50 mL tubes | 9 | |
| 2 | Conical 50 mL tubes | 5 | ► For centrifugation with an aerosol-tight cap, load the marked bores only. |
| 3 | Microplate 96/384 | 1 | |

3.3.2 Rotor S-4xUniversal-Large for the Centrifuge 5920R



| No. | Tube/plate | Quantity | Notes |
|-----|--|----------|---|
| 1 | Conical 25 mL tubes snap cap and screw cap | 10 | ► Only use the lower part of the adapter. |
| 2 | Conical 50 mL tubes | 10 | ► Use the adapter with the upper part. |
| 3 | Microplate 96/384 Deepwell plate | 1 | ► Only use the lower part of the adapter. |

i You can find more technical data such as the rcf values and the radii of the adapters in the manual of the centrifuge.

4 Ordering information

Rotor S-4xUniversal for the Centrifuge 5910 R

| Order no. (International) | Description |
|------------------------------|---|
| 5910 751.001 | Adapter for 25/50 mL conical tubes, 175-250 mL bottles and plates, for S-4xUniversal rotor set with 2 pieces |

Instructions for use

Adapter for S-4xUniversal and S-4xUniversal-Large rotors
English (EN)

| Order no. (International) | Description |
|------------------------------|--|
| 5910 769.008 | Adapter for 25/50 mL conical tubes and plates, for S-4xUniversal rotor set with 2 pieces |
| 5910 752.008 | Adapter for 5/15 mL conical tubes and plates, for S-4xUniversal rotor set with 2 pieces |

Rotor S-4xUniversal-Large for the Centrifuge 5920 R

| Order no. (International) | Description |
|------------------------------|--|
| 5920 755.005 | Adapter for 25/50 mL conical tubes, 175-250 mL bottles and plates, for rotor S-4xUniversal-Large set with 2 pieces |
| 5920 756.001 | Adapter for 25/50 mL conical tubes and plates, for rotor S-4xUniversal-Large set with 2 pieces |
| 5920 757.008 | Adapter for 5/15 mL conical tubes and plates, for rotor S-4xUniversal-Large set with 2 pieces |

Adapter for Eppendorf Conical Tubes 25 mL

| Order no. (International) | Description |
|------------------------------|---|
| 5820 733.004 | Adapter for Eppendorf Conical Tubes 25 mL with snap cap, for centrifuges with rotors for conical 50 mL tubes set of 6 pieces |
| 5820 734.000 | Adapter for Eppendorf Conical Tubes 25 mL with screw cap, for centrifuges with rotors for conical 50 mL tubes set of 6 pieces |

Your local distributor: www.eppendorf.com/contact

Eppendorf AG · Barkhausenweg 1 · 22339 Hamburg · Germany
eppendorf@eppendorf.com · www.eppendorf.com