

Installation Guide
 Universal Stand
 English (EN)


These mounting instructions are a supplement to the operating manuals for the micromanipulators and are not a substitute, so also read the operating manuals before using the adapter for the first time. The current versions of the operating manuals can be found on the Internet at www.eppendorf.com.

1 Compatible micromanipulators

Universal stand for Eppendorf micromanipulators:

- TransferMan® 4r
- TransferMan® 4m
- InjectMan® 4

2 Warning signs on the device

Warning symbol	Meaning
	Warns of magnetic field

3 Mounting the magnetic foot



WARNING! Danger due to strong magnetic field

Magnetic fields may affect pacemakers and defibrillators. Pacemakers may be reset.

- ▶ Keep a distance of at least 20 cm from the magnet.
- ▶ In particular, be sure to keep the safety distance during installation.

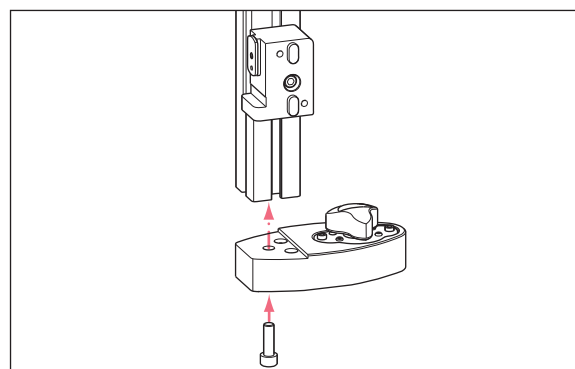
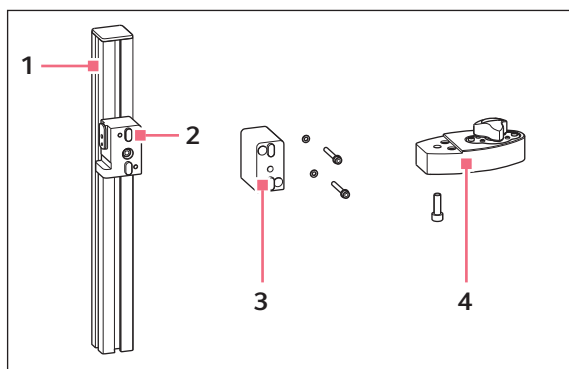
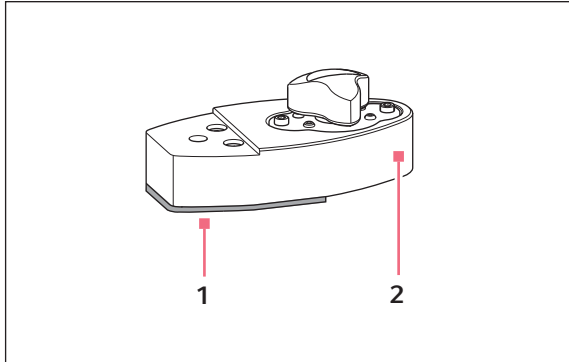


Fig. 1: Overview assembly and delivery package

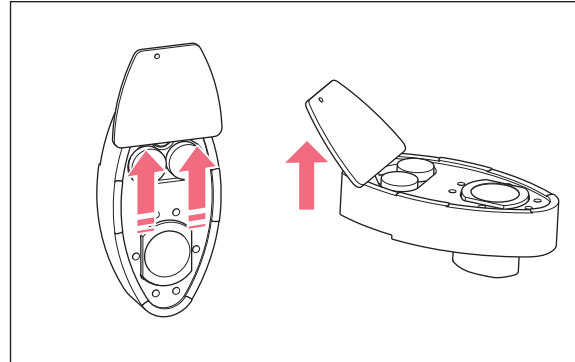
- 1 Universal stand
- 2 Z-module holder

- 3 Spacer
- 4 Magnetic foot
With short-circuit plate

3.1 Preparing the magnetic foot



1 Short-circuit plate



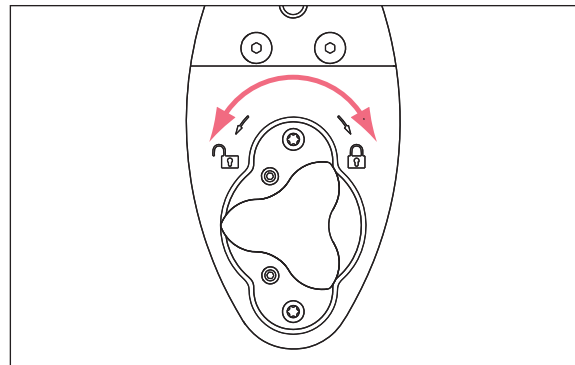
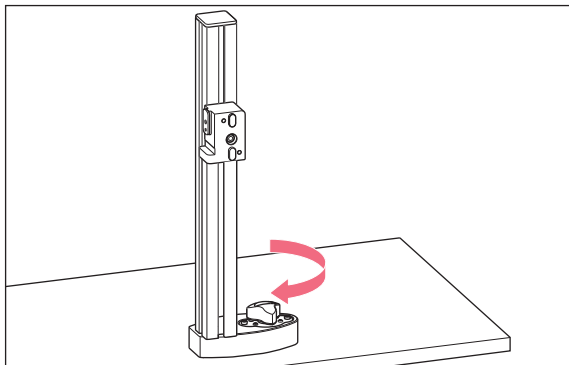
2 Magnetic foot

1. Slide the short-circuit plate forward.
2. Push against the short-circuit plate from below and remove it by lifting it.

3.2 Fixing the magnetic foot

Prerequisites

- Ferromagnetic base (plate or table) is available.
- Base cannot tilt.



1. Place the universal stand on the base.
2. Turn the knob clockwise.
3. Check stability.

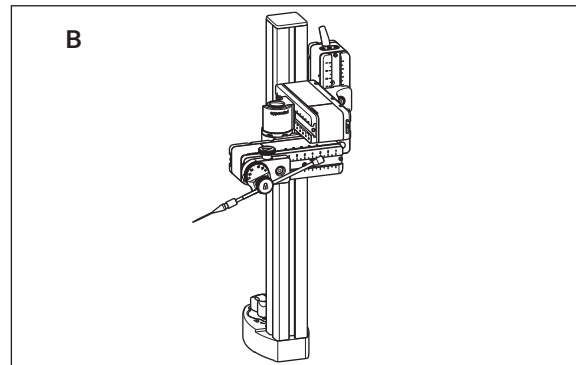
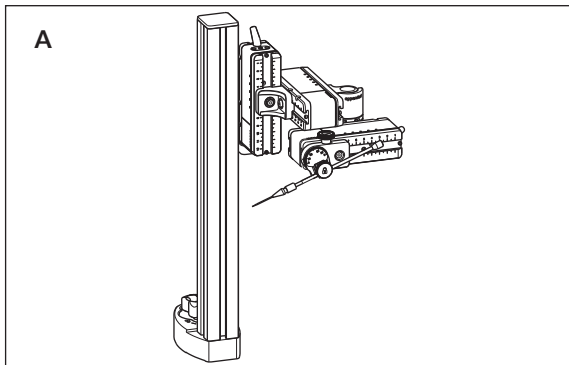
4 Mounting the motor module



NOTICE! Risk of tipping over due to unstable stand.

The universal stand may tip over and damage the motor module.

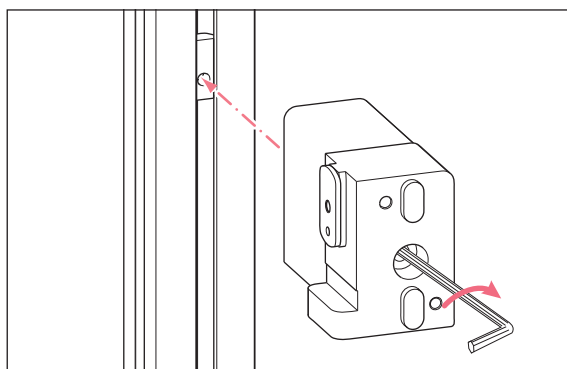
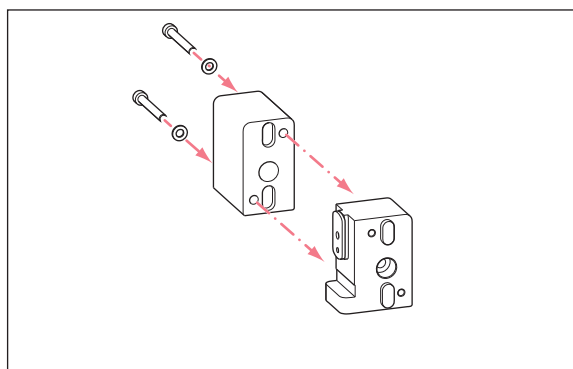
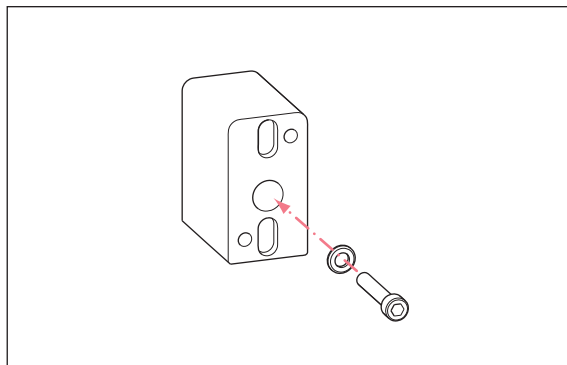
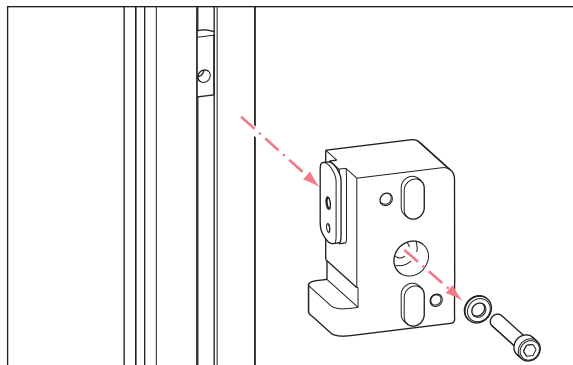
- ▶ Select a sufficiently stable base plate.
- ▶ Fix the magnetic foot.



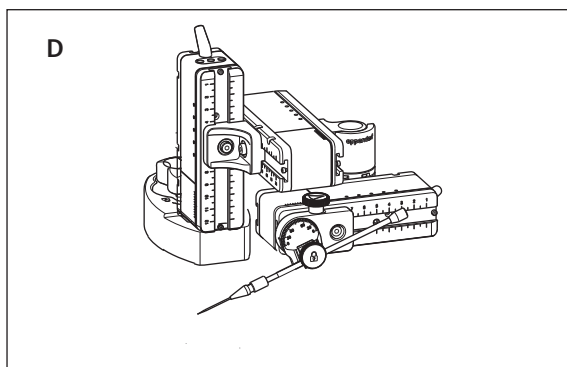
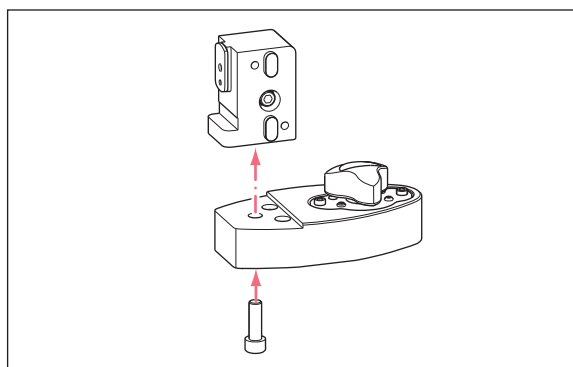
4.1 Aligning the motor module

1. Hold the motor module in place.
2. Undo the screw on the Z-module holder.
3. Move the motor module to the desired height.
4. Tighten the screw.

5 Installation with spacer – variant C



6 Installation without stand – variant D



7 Ordering information

Order no. (International)	Order no. (North America)	Description
5192 325.007	5192325007	Universal stand for micromanipulators TransferMan 4m/4r, InjectMan 4