

Installation Guide

Adapter for microscope Olympus® IX3 Series – IX2-ILL30
English (EN)

These mounting instructions are a supplement to the operating manuals for the micromanipulators and are not a substitute, so also read the operating manuals before using the adapter for the first time. The current versions of the operating manuals can be found on the Internet at www.eppendorf.com.

1 Installation

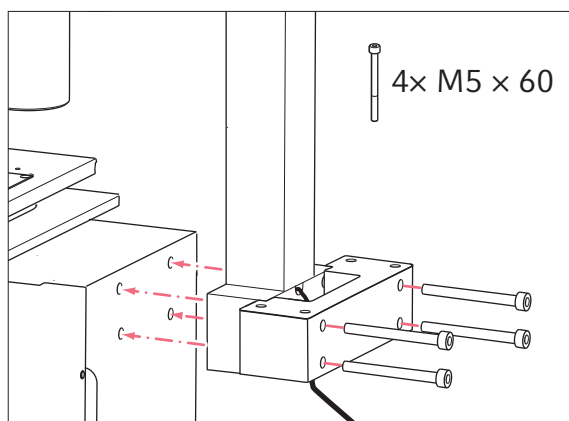
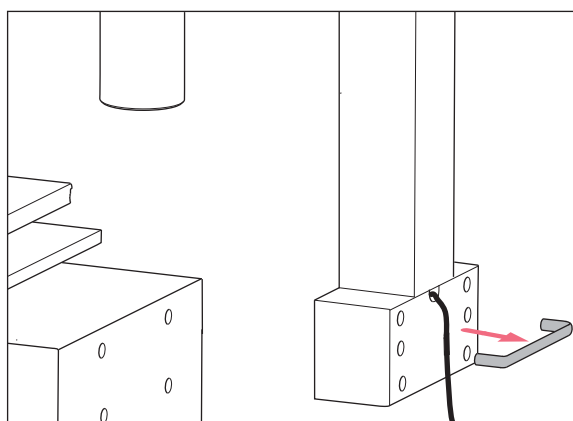
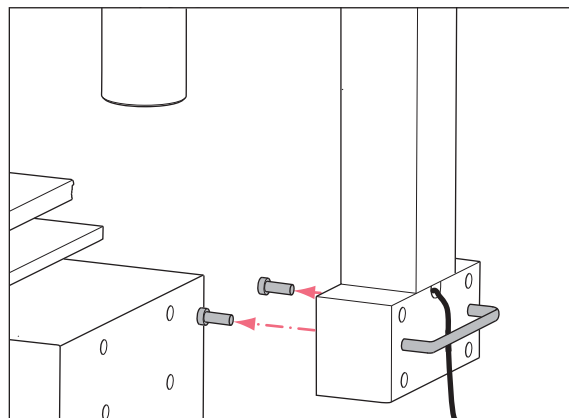
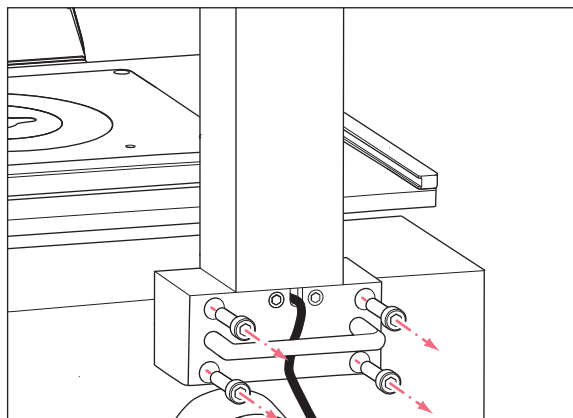
Adapter for mounting a micromanipulator on a microscope.

Adapter Olympus® 3 for Olympus® microscope models with illumination column IX2-ILL30:

- IX53

For Eppendorf micromanipulators:

- TransferMan® 4r
- TransferMan® 4m
- InjectMan® 4



Installation Guide

Adapter for microscope Olympus® IX3 Series – IX2-ILL30
English (EN)

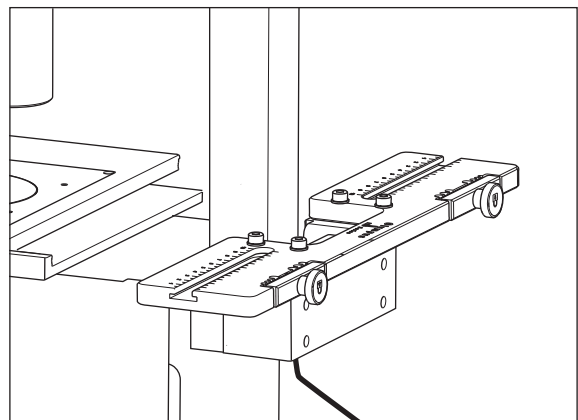
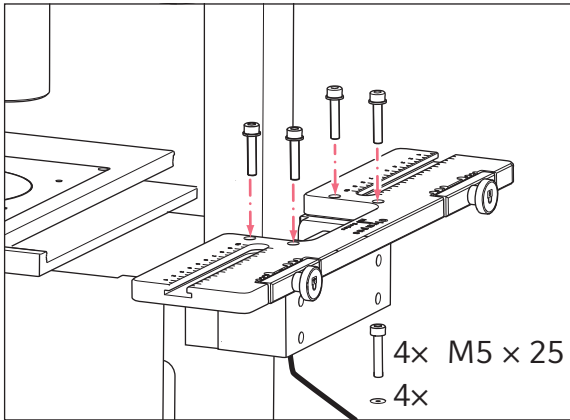


Fig. 1: Assembly overview and delivery package

2 Example parameter for installation

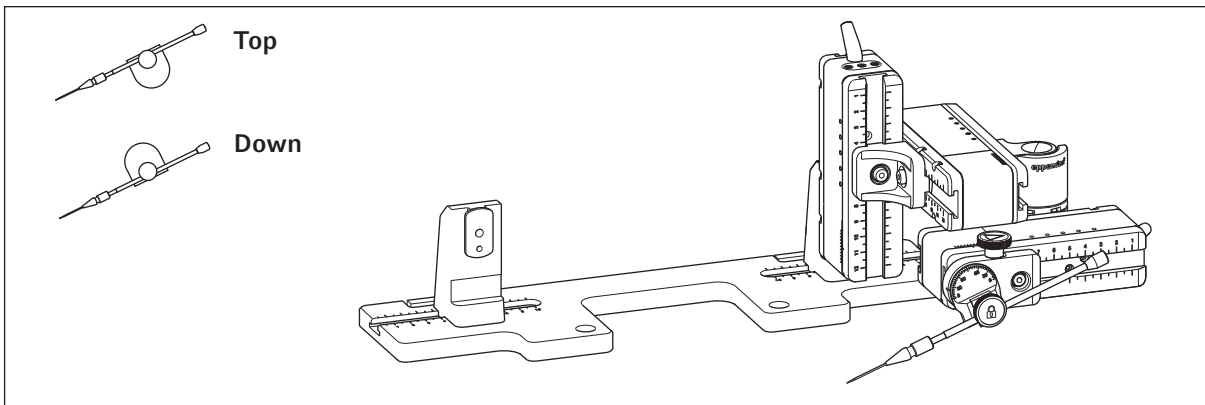


Fig. 2: Overview adapter plate with right side mounted motor modules

Installation Guide
 Adapter for microscope Olympus® IX3 Series – IX2-ILL30
 English (EN)

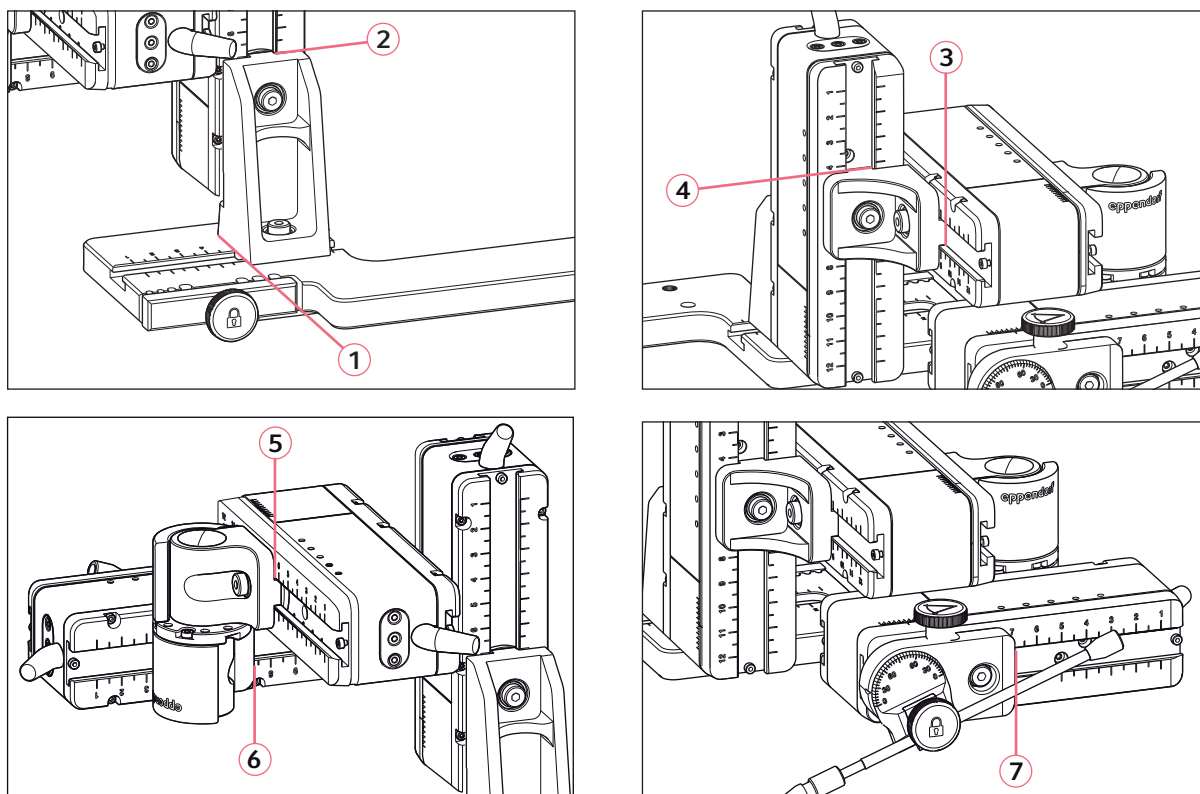


Fig. 3: Adjusting motor modules using example position parameters of table 1

Tab. 1: Example position parameters for different mounting angles

Position holder	Angle	1 [cm]	2 [cm]	3 [cm]	4 [cm]	5 [cm]	6 [cm]	7 [cm]
Down	10°	6.8	7.0	9.4	4.7	6.8	7.3	8.2
Down	25°	6.8	7.0	9.4	2.8	6.8	7.3	9.1
Top	25°	6.8	7.0	9.4	4.6	6.8	7.3	6.8
Top	35°	6.8	7.0	9.4	3.3	6.8	7.3	7.4
Top	45°	6.8	7.0	9.4	2.5	6.8	7.3	8.8



For flat angles do not use the plain stage IX2-Sp with mechanical stage IX-MVR.

3 Ordering information

Order no. (International)	Order no. (North America)	Description
5192 308.005	5192308005	Adapter for microscope Olympus 3 IX53 IX2-ILL30

Your local distributor: www.eppendorf.com/contact
 Eppendorf SE · Barkhausenweg 1 · 22339 Hamburg · Germany
eppendorf@eppendorf.com · www.eppendorf.com