

## Installation Guide

Adapter for microscope Leica® DM IL LED/HC  
English (EN)

These mounting instructions are a supplement to the operating manuals for the micromanipulators and are not a substitute, so also read the operating manuals before using the adapter for the first time. The current versions of the operating manuals can be found on the Internet at [www.eppendorf.com](http://www.eppendorf.com).

## 1 Installation

Adapter for mounting a micromanipulator to a microscope.

Adapter Leica® 2 for Leica® microscope models:

- DM IL
- DM IL LED
- DM IL HC

For Eppendorf micromanipulators:

- TransferMan® 4r
- TransferMan® 4m
- InjectMan® 4

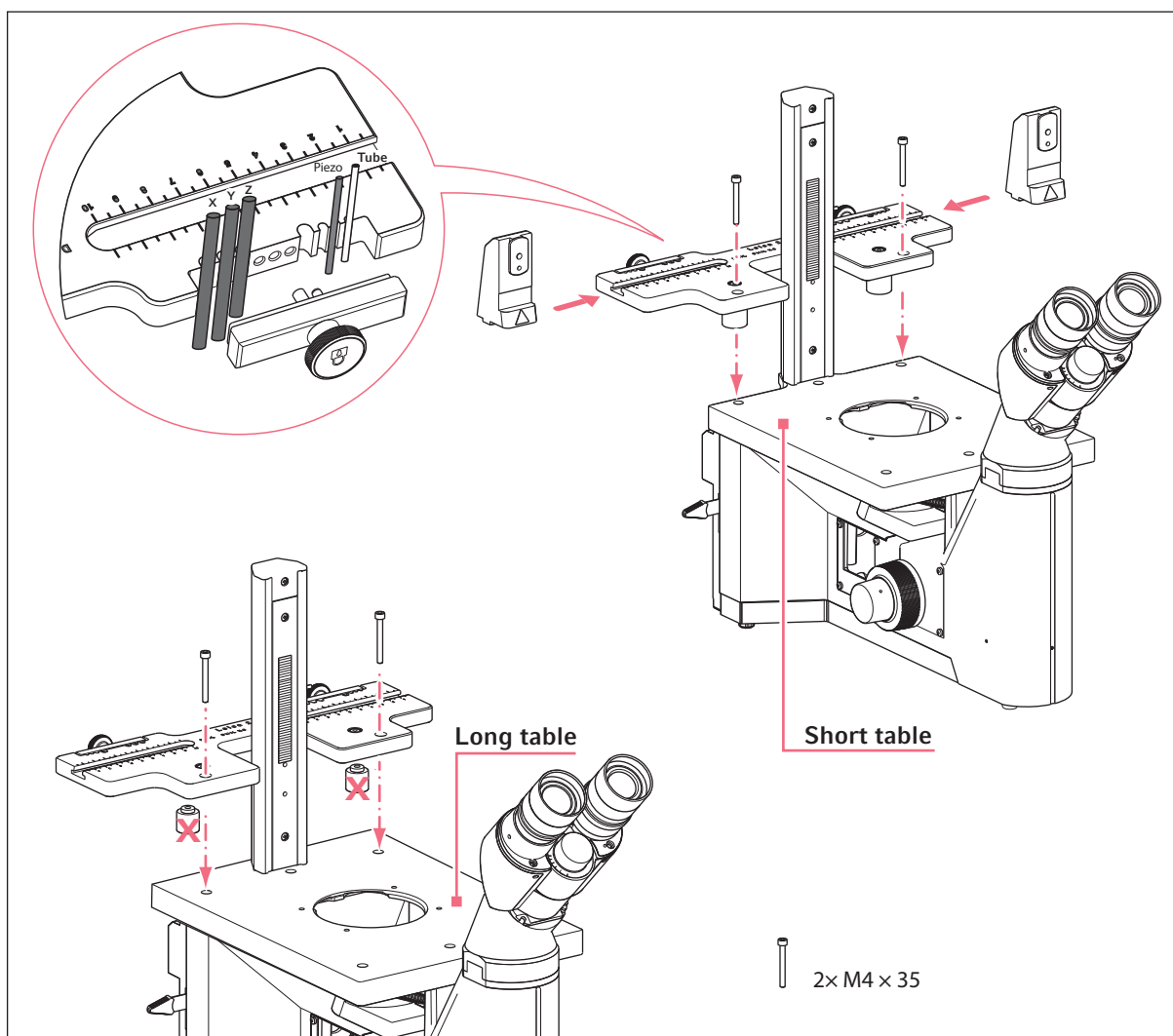


Fig. 1: Assembly overview and delivery package

**Installation Guide**

Adapter for microscope Leica® DM IL LED/HC  
English (EN)

**2 Example parameter for installation**

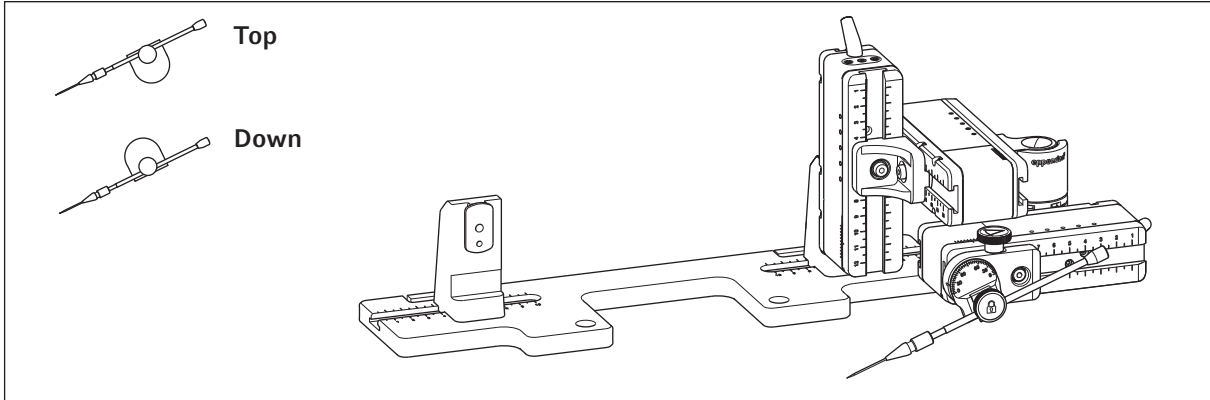


Fig. 2: Overview adapter plate with right side mounted motor modules

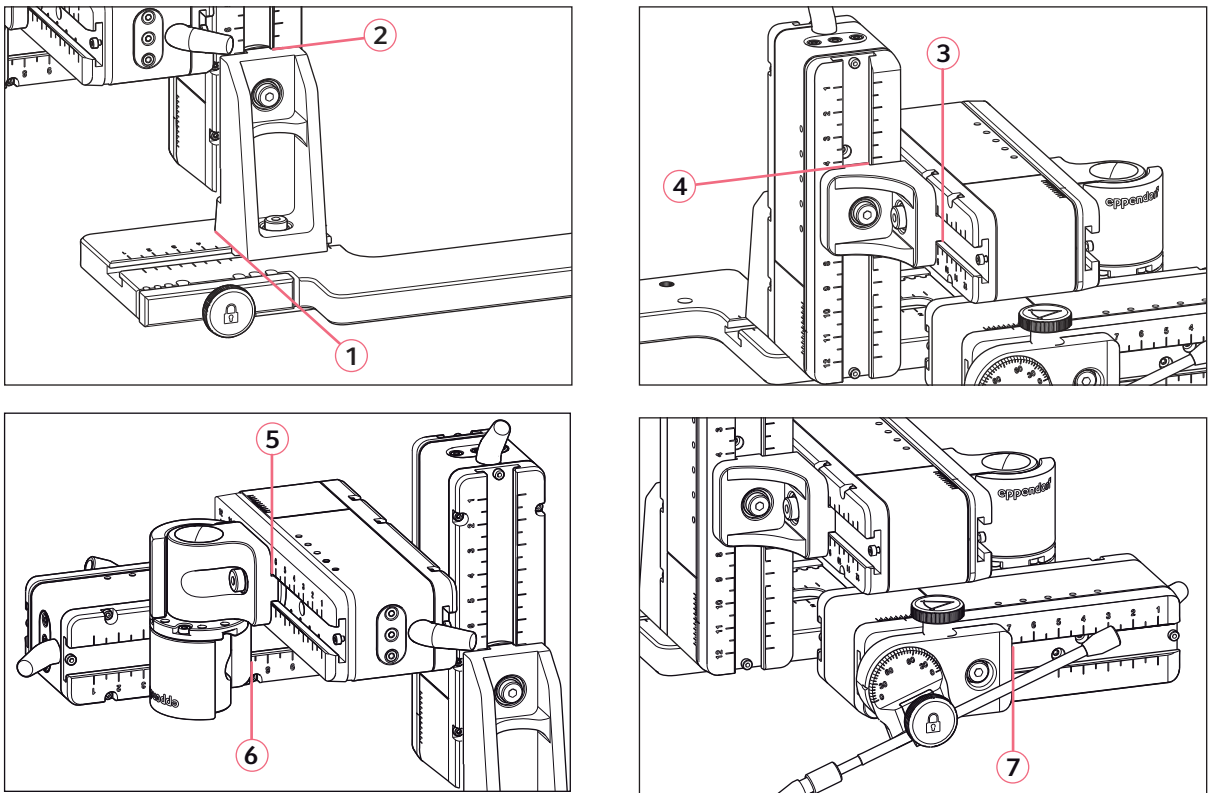


Fig. 3: Adjusting motor modules using example parameters of table 1

Tab. 1: Example position parameters for different mounting angles

Position holder	Angle	1 [cm]	2 [cm]	3 [cm]	4 [cm]	5 [cm]	6 [cm]	7 [cm]
Down	10°	6.5	7.0	9.3	6.0	4.5	5.0	6.2
Top	35°	6.5	7.0	9.3	6.0	4.5	5.0	6.7
Top	45°	6.5	7.0	9.3	5.3	4.5	5.0	7.7

### 3 Ordering information

Order no. (International)	Order no. (North America)	Description
5192 302.007	5192302007	<b>Adapter for microscope</b> Leica 2 DM IL LED, HC