

Installation Guide

Adapter for microscope Zeiss® Axio Vert.A1
English (EN)

These mounting instructions are a supplement to the operating manuals for the micromanipulators and are not a substitute, so also read the operating manuals before using the adapter for the first time. The current versions of the operating manuals can be found on the Internet at www.eppendorf.com.

1 Installation

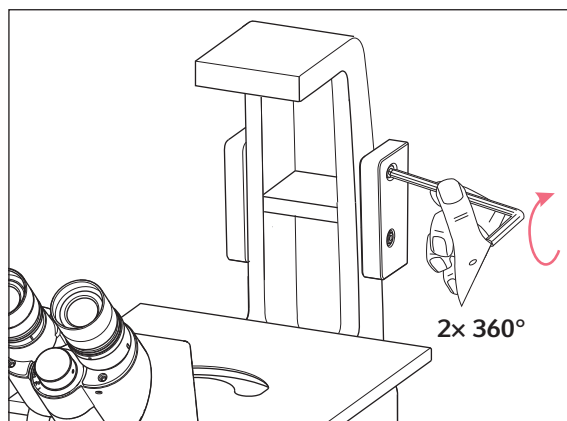
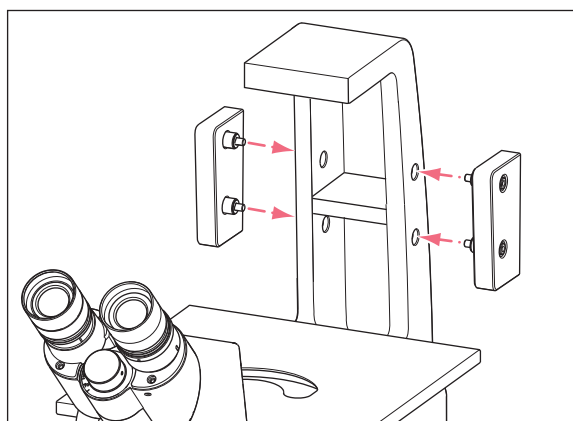
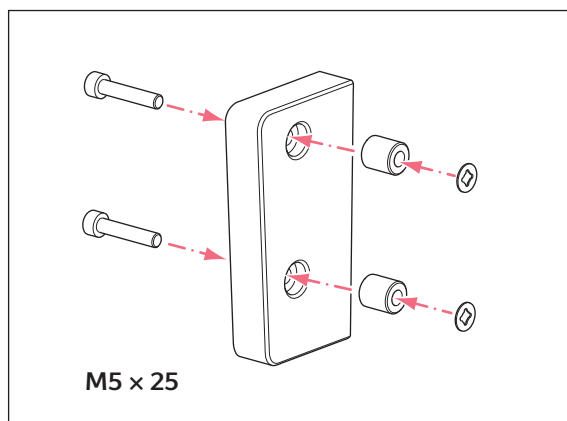
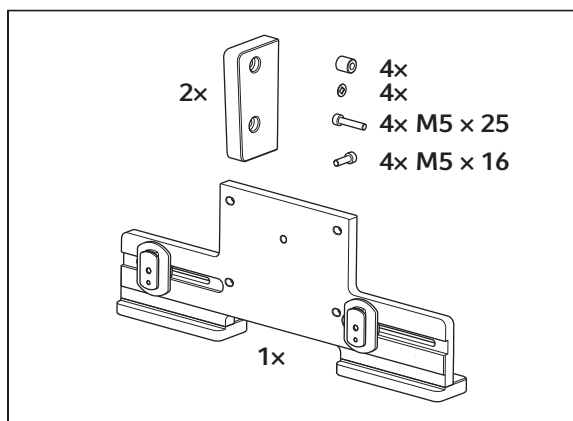
Adapter for mounting a micromanipulator on a microscope.

Adapter Zeiss® 2 for Zeiss® microscope models:

- Axio Vert.A1

For Eppendorf micromanipulators:

- TransferMan® 4r, TransferMan® 4m, InjectMan® 4



Installation Guide

Adapter for microscope Zeiss® Axio Vert.A1
English (EN)

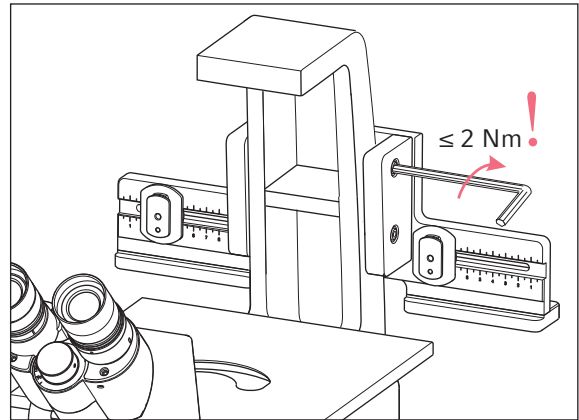
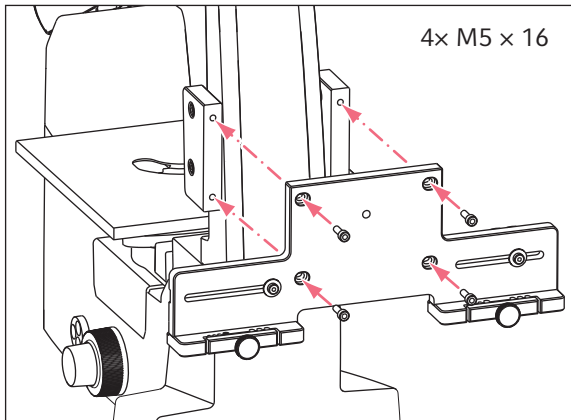


Fig. 1: Assembly overview and delivery package

2 Example parameter for installation

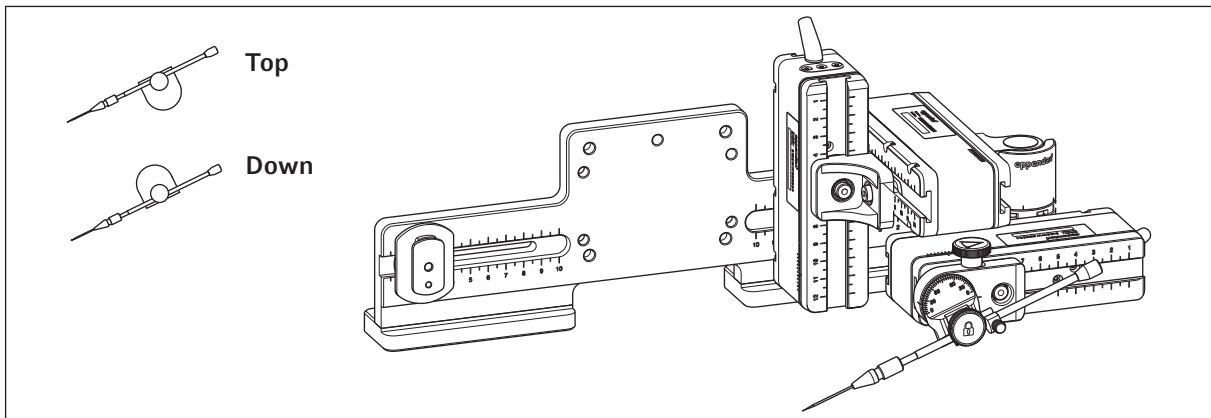


Fig. 2: Overview adapter plate with right side mounted motor modules

Installation Guide
 Adapter for microscope Zeiss® Axio Vert.A1
 English (EN)

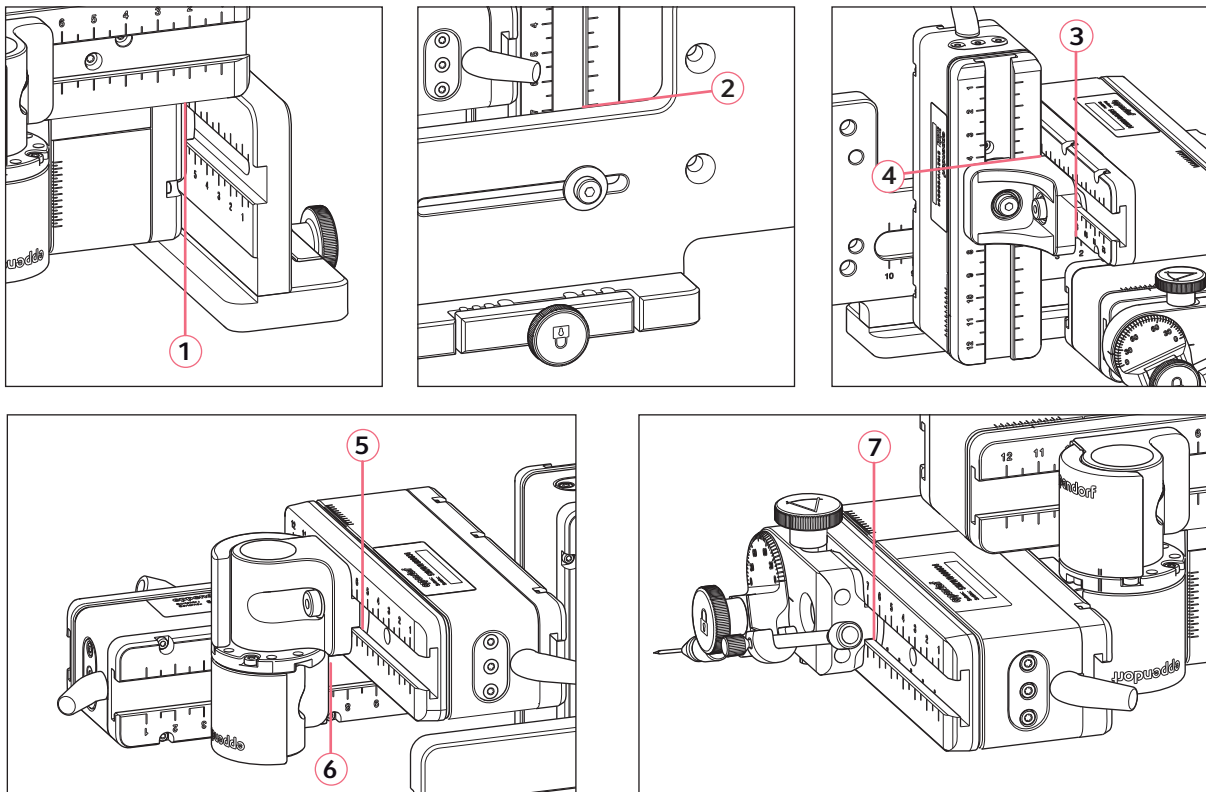


Fig. 3: Adjusting motor modules using example parameters of table 1

Tab. 1: Example position parameters for different mounting angles

Position holder	Angle	1 [cm]	2 [cm]	3 [cm]	4 [cm]	5 [cm]	6 [cm]	7 [cm]
Down	10°	6.8	7.0	6.3	4.6	4.8	5.1	7.8
Top	25°	6.8	7.0	6.3	4.8	4.8	5.1	5.1
Top	35°	6.8	7.0	7.8	3.8	6.7	5.1	8.1
Top	45°	6.8	7.0	7.8	3.2	6.7	5.1	8.6

3 Ordering information

Order no. (International)	Order no. (North America)	Description
5192 312.002	5192312002	Adapter for microscope Zeiss 2 Axio Vert.A1

Your local distributor: www.eppendorf.com/contact
 Eppendorf SE · Barkhausenweg 1 · 22339 Hamburg · Germany
eppendorf@eppendorf.com · www.eppendorf.com