

Register your instrument!
www.eppendorf.com/myeppendorf



Universal Stacking Stand for CO₂-Incubators

Installation guide

Copyright © 2021 Eppendorf AG, Germany. All rights reserved, including graphics and images. No part of this publication may be reproduced without the prior permission of the copyright owner.

Eppendorf® and the Eppendorf Brand Design are registered trademarks of Eppendorf AG, Germany.

CellXpert® is a registered trademark of Eppendorf AG, Germany.

Galaxy® is a registered trademark of Eppendorf AG, Germany.

Torx® is a registered trademark of Acument Intellectual Properties, LLC, USA.

Registered trademarks and protected trademarks are not marked in all cases with ® or ™ in this manual.

1 Operating instructions

This installation guide is a supplement to the operating manuals of the following CO₂ incubators:

- CellXpert C170
- CellXpert C170i
- Galaxy 170 S
- Galaxy 170 R

The installation guide does not replace the operating manuals of the devices used by you. Therefore, please also read the operating manuals of the CO₂ incubators used by you before using devices with the stacking stand.

The current versions of the operating manuals for CO₂ incubators from Eppendorf AG in all available languages can be found at www.eppendorf.com/manuals.

To obtain the operating manuals of other CO₂ incubators, please contact the manufacturer.

Other applicable documents

The following documents also apply:

- Installation guide *Stacking stand for CellXpert C170 and C170i* (article number 6731 900.100)
- Installation guide *Galaxy 170 Stacking Stand* (article number 6710 900.122)




Operating instructions

Universal Stacking Stand for CO₂-Incubators
English (EN)

2 Safety

2.1 Intended use

The universal and the lower stacking stand may be used to stack a total of two CO₂ incubators.

-  Only device combinations described in this manual are permitted. Other combinations are not approved by Eppendorf AG.
-  When using the stacking stand, please note the permitted dimensions and weights in chapter *Technical data*.
-  Only the devices from Eppendorf AG listed in the following may be used as lower device.

Prerequisites

One of the following devices from Eppendorf is already installed on a suitable lower stacking stand and fixed to the wall:

- CellXpert C170
- CellXpert C170i
- Galaxy 170 S
- Galaxy 170 R

Permitted device combinations with CellXpert® C170 or CellXpert® C170i as the lower device:

- Galaxy® 170 R
- Galaxy® 170 S
- Thermo Scientific™ Heracell™ VIOS 160i
- Binder CB 170
- PHCbi MCO-170 (formerly Panasonic)

Permitted devices combinations with Galaxy® 170 R or Galaxy® 170 S as the lower device:

- CellXpert® C170
- CellXpert® C170i

The stacking stand is not intended to be used for transport.

The sole use of the universal stacking stand to couple two devices is not permitted. The lower stacking stand for Galaxy incubators with 170 L, the lower stacking stand for CellXpert incubators with 170 L and the universal stacking stand must be purchased separately.

Read and observe the following general safety instructions before using the universal stacking stand.

2.2 Warnings for intended use

**WARNING! Risk of personal injury and equipment damage**

- ▶ Always use the lifting handles included in the delivery package to lift the device.
- ▶ Do not lift the device at the door as this would damage the device.

**WARNING! Risk of serious injury**

The stacked incubators may tip over when moving them.

- ▶ Two specialists are required to move the stacked incubators.
- ▶ Do not use excessive force when moving the devices.

**WARNING! Risk of personal injury and equipment damage**

Insufficiently fixed device feet at the lower device may fall out of the fixing bushings under load.

- ▶ Tighten the set screws.

**WARNING! Risk of personal injury and equipment damage**

Single devices or two stacked devices on the stacking stand may tip over if not secured with the safety latch.

- ▶ Secure single devices or two stacked devices on the stacking stand to the wall with the safety latch.

**WARNING! Risk of tipping over**

Two stacked devices on the stacking stand may tip over during transport.

- ▶ Always transport the devices individually.

**WARNING! Risk of personal injury and equipment damage**

Uneven surfaces may cause the stacked devices to tip over when moving them to the intended location.

- ▶ Proceed extremely carefully when moving the stacked devices to the intended location.

**CAUTION! Risk of injury when moving the devices**

- ▶ Close the doors before moving the device.
- ▶ Keep your hands away from the corners of the device.

**CAUTION! Risk of injury**

The device has a high center of gravity.

- ▶ Ensure that the device does not tip over during transport.



CAUTION! Risk of crushing due to edges

- ▶ Watch your hands when lowering the incubator.



CAUTION! Risk of injury

- ▶ At least four persons are required to safely lift the device.
- ▶ Use a transport aid to transport the device.



NOTICE! Damage to the device

Lifting the device at its door will result in permanent damage to the device.

- ▶ Always use the lifting handles to lift the device.
- ▶ Do not lift the device at the door.



NOTICE! Damage to or loss of samples due to unstable device or unstable stacking stand

If the device or stacking stand is not aligned horizontally, the device or stacking stand may tilt. Samples may be damaged or lost.

- ▶ Align the device and the stacking stand horizontally.
-

Safety

Universal Stacking Stand for CO2-Incubators
English (EN)

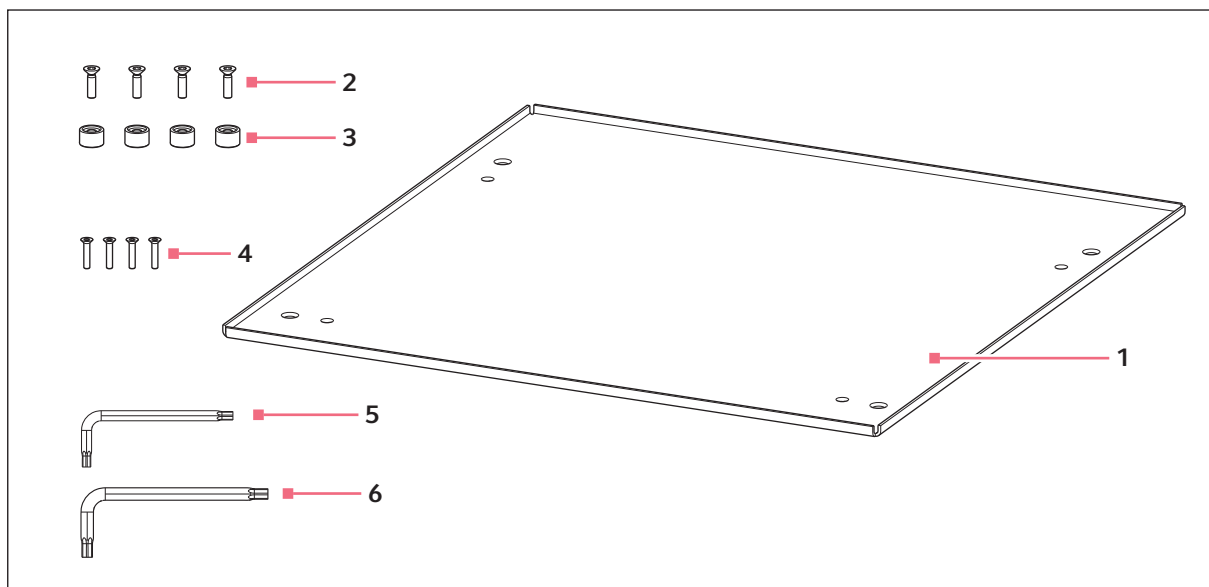
3 Installation

3.1 Stacking two devices

Prerequisites

One of the following devices from Eppendorf is already installed on a suitable lower stacking stand and fixed to the wall:

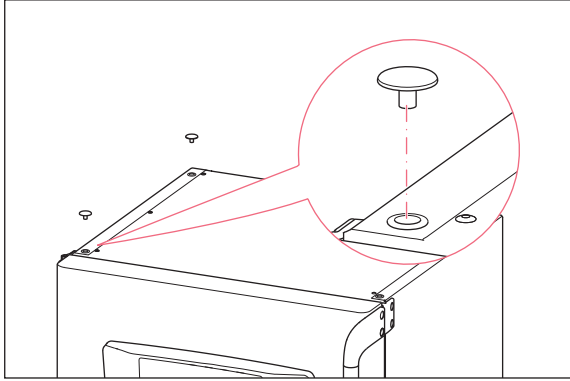
- CellXpert C170
- CellXpert C170i
- Galaxy 170 S
- Galaxy 170 R



- | | |
|---|--|
| 1 Mounting plate | 4 Screws M6 for combination with Galaxy
4 pieces |
| 2 Screws M8 for combination with CellXpert
4 pieces | 5 Offset Torx screwdriver
Tx30 |
| 3 Spacer bushing
4 pieces | 6 Offset Torx screwdriver
Tx45 |

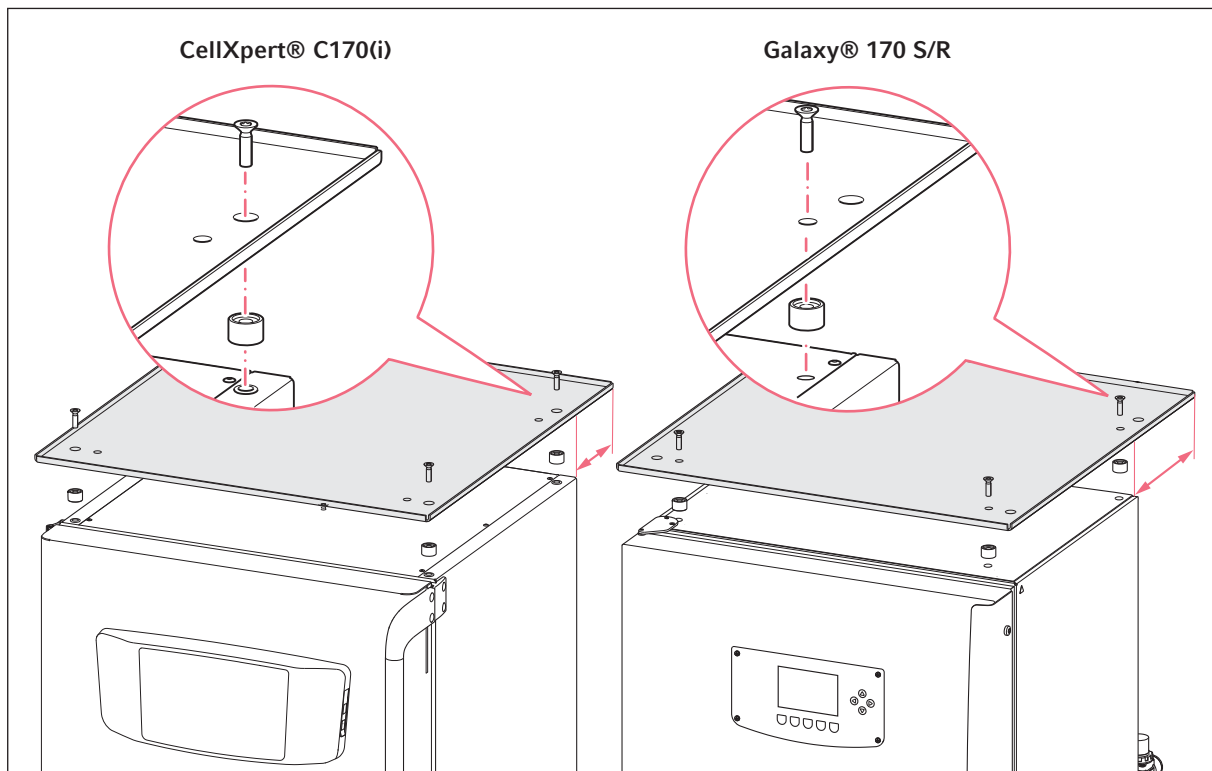
Installation

Universal Stacking Stand for CO₂-Incubators
English (EN)

3.1.1 Preparing the lower incubator

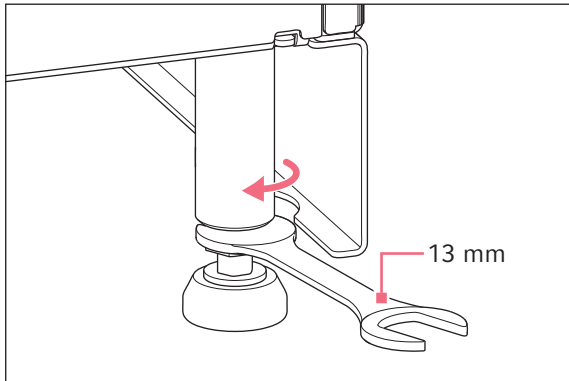
1. Remove the four thread covers from the top of the lower incubator.

2. Place the four spacer bushings on the top, with the bore directly above the thread of the lower incubator.
3. Place the mounting plate on the lower incubator.
4. Fasten the mounting plate with the screws.

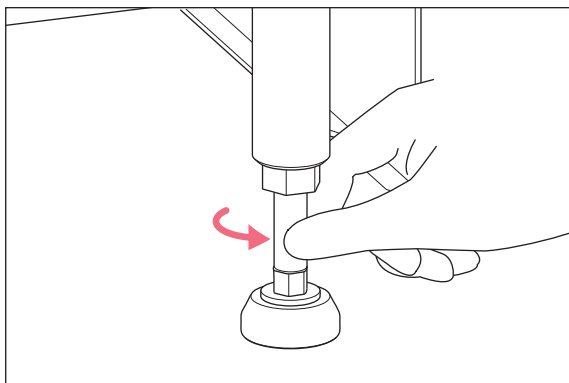


3.1.2 Raising the device feet of the upper incubator

If the upper CO₂ incubator has adjustable device feet, proceed as follows:



1. Loosen the fixing nut with the open-end wrench (13 mm) by half a turn.



2. Turn the device foot by hand to raise it.
3. Tighten the fixing nut with the open-end wrench (13 mm) by half a turn.

3.1.3 Positioning the upper incubator



CAUTION! Risk of injury

- ▶ At least four persons are required to place the upper incubator onto the lower incubator.
- ▶ Use a transport aid to transport the device.



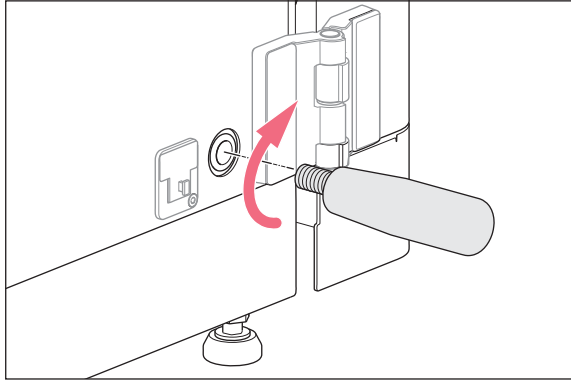
CAUTION! Risk of crushing due to edges

- ▶ Watch your hands when lowering the incubator.

Installation

Universal Stacking Stand for CO₂-Incubators
English (EN)

If the incubator that you want to install as upper device has lifting handles, proceed as follows:



1. Remove the cover caps on the side of the upper incubator. Mount the lifting handles.
2. Lift the upper incubator.

3. Lift the upper incubator.



4. Place the upper incubator on the mounting plate and align it centrally.
5. Position the upper incubator so that the doors of the stacked devices are flush.
6. If present, remove the four lifting handles. Insert the cover caps into the open threads on the upper incubator.

3.2 Securing stacked devices on the wall

The following devices are equipped with safety fastening:

- CellXpert C170
- CellXpert C170i
- Galaxy 170 R
- Galaxy 170 S
- PHCbi MCO-170

All devices that are stacked must be fixed to the wall. Safety fastening for the upper CO₂ incubator is mandatory. If the device does not have safety fastening, contact the manufacturer of the device.



WARNING! Risk of personal injury and equipment damage

Single devices or two stacked devices on the stacking stand may tip over if not secured with the safety latch.

- ▶ Secure single devices or two stacked devices on the stacking stand to the wall with the safety latch.



WARNING! Risk of serious injury

The stacked incubators may tip over when moving them.

- ▶ Two specialists are required to move the stacked incubators.
- ▶ Do not use excessive force when moving the devices.

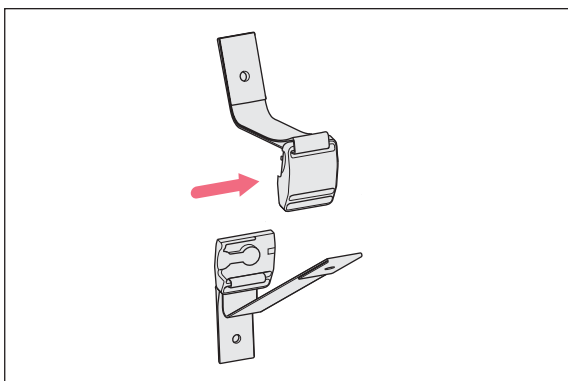


CAUTION! Risk of injury when moving the devices

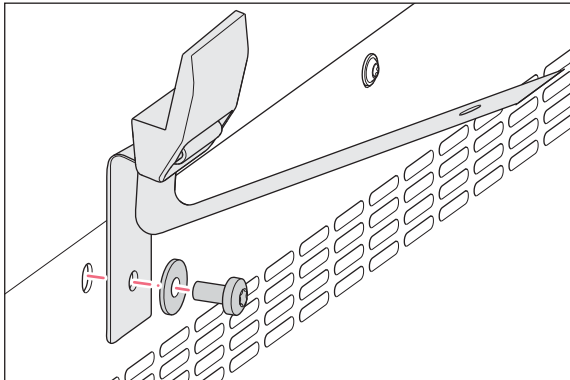
- ▶ Close the doors before moving the device.
- ▶ Keep your hands away from the corners of the device.

Auxiliary equipment

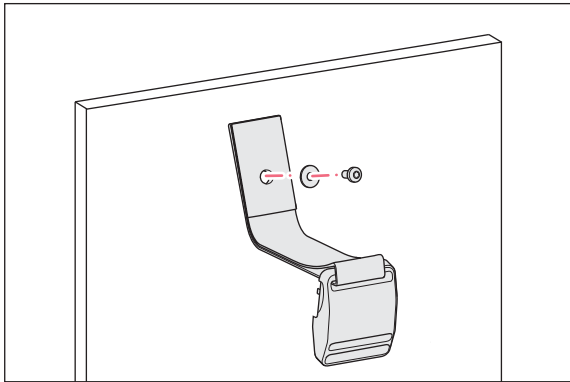
- Safety fastening kit (article number 6710 070.235)



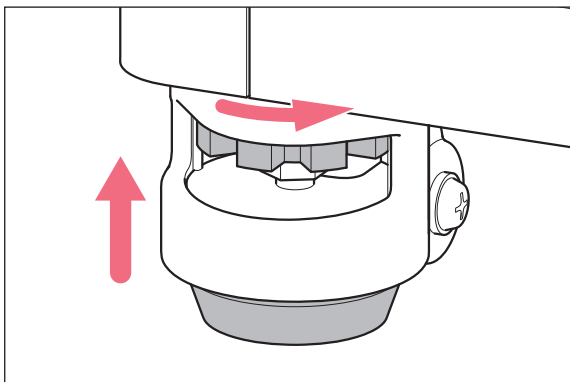
1. Release the magnetic closure of the safety latch by sliding the two parts apart sideways.

Installation**Universal Stacking Stand for CO₂-Incubators**
English (EN)

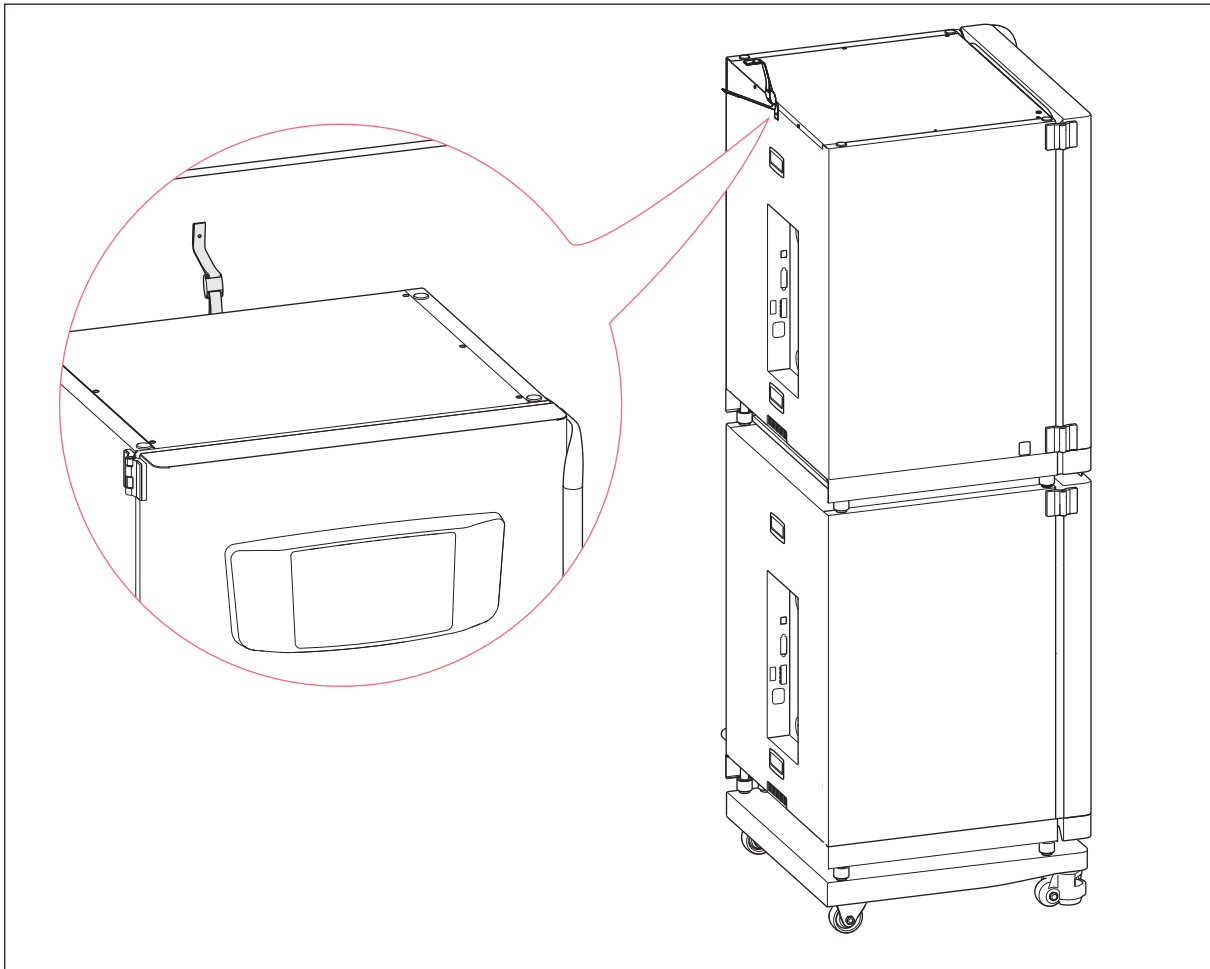
2. Mount the lower part of the safety latch to the top rear of the upper incubator using a flat washer and a Torx screw (M4x8, Torx 20).



3. Mount the other part of the safety latch to the wall using a flat washer. The pull-out resistance of the screw has to be at least 250 N (25 kg).



4. Bring the stabilizing feet of the lower stacking stand into the highest position. The wheels of the castors move freely.



5. Position the stacked incubators in the intended location.
6. Close the magnetic closure of the safety latch.
7. Tighten the safety latch. Do not overtighten.

3.3 Installing an additional mounting plate

Auxiliary equipment

- Ladder or step stool

An additional mounting plate can be installed on top of the upper CO₂ incubator, e.g., to block the airflow of an air conditioning system. The mounting plate reduces the number of external thermal disturbances and potential condensation.

An additional mounting plate can be installed on the following devices:

- CellXpert C170
- CellXpert C170i
- Galaxy 170 R
- Galaxy 170 S

Installation

Universal Stacking Stand for CO₂-Incubators English (EN)



If your upper CO₂ incubator is not contained in this list, please contact the manufacturer of the device regarding the installation of an additional mounting plate.

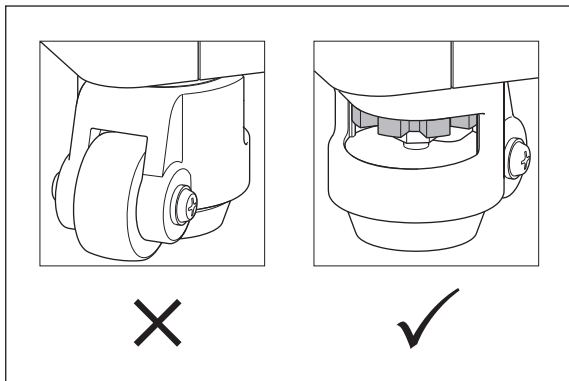
1. Remove the four thread covers from the top of the incubator.
2. Place the four spacer bushings on the top, with the bore directly above the thread of the incubator.
3. Place the mounting plate on the incubator.
4. Fasten the mounting plate with the screws.

3.4 Aligning incubators horizontally

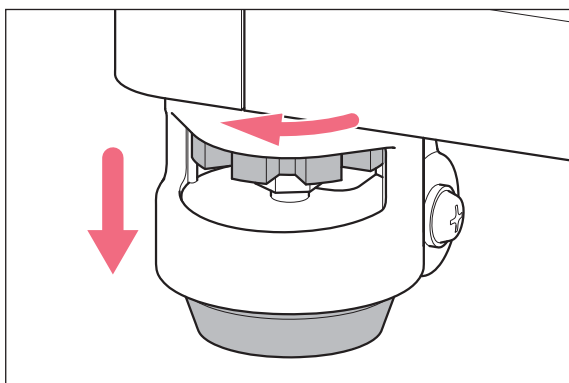


NOTICE! Damage to or loss of samples due to unstable device or unstable stacking stand
If the device or stacking stand is not aligned horizontally, the device or stacking stand may tilt. Samples may be damaged or lost.

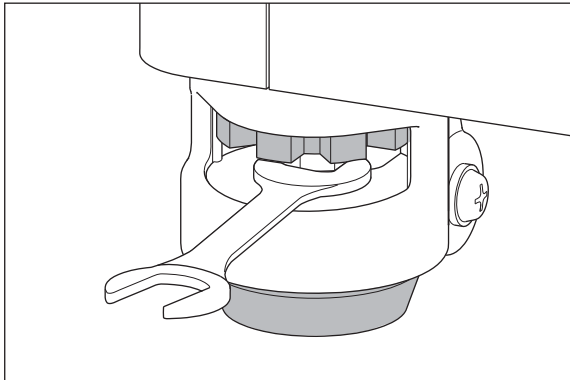
- ▶ Align the device and the stacking stand horizontally.



1. Turn the castors of the lower stacking stand to the rear.
2. Insert the shelf frame, the inner shelves and the water tray into the incubator.
3. Align the spirit level from left to right on one of the inner shelves.



4. Turn the red wheels of the adjustable stabilizing feet to the left until the stabilizing feet touch the floor.



5. Use the open-end wrench to adjust the stabilizing feet until the incubator is aligned horizontally.
6. Align the ends of the spirit level to the front and rear.
7. Use the open-end wrench to adjust the stabilizing feet until the incubator is aligned horizontally.
8. Place the spirit level on one of the other inner shelves and check whether it is horizontal. If necessary, readjust the stabilizing feet.

Installation

Universal Stacking Stand for CO2-Incubators
English (EN)

4 Technical data

4.1 Required footprint

All specifications depend on the device combination.

Width	750 mm
Depth	850 mm
Height	1075 mm + height of the upper CO ₂ incubator

4.2 Transport dimensions

Width	780 mm
Height	115 mm
Depth	800 mm
Weight	23 kg

Technical data

Universal Stacking Stand for CO₂-Incubators
English (EN)

5 Ordering options

Article number	Description
6731 070.093	Lower stacking stand for CellXpert C170/C170i with castors
6710 070.219	Lower stacking stand for Galaxy 170 R/170 S with castors
6731 070.158	Universal upper stacking stand for 170 L incubators
6710 070.235	Safety fastening kit for CellXpert C170/C170i for Galaxy 170 R/170 S

Ordering options

Universal Stacking Stand for CO₂-Incubators
English (EN)

Evaluate Your Manual

Give us your feedback.
www.eppendorf.com/manualfeedback