

Instructions for use epMotion reflection foil English (EN)

Before using the accessories for the first time, read these instructions for use. Also read the operating manual of the device the accessories are used with.

1 Product description

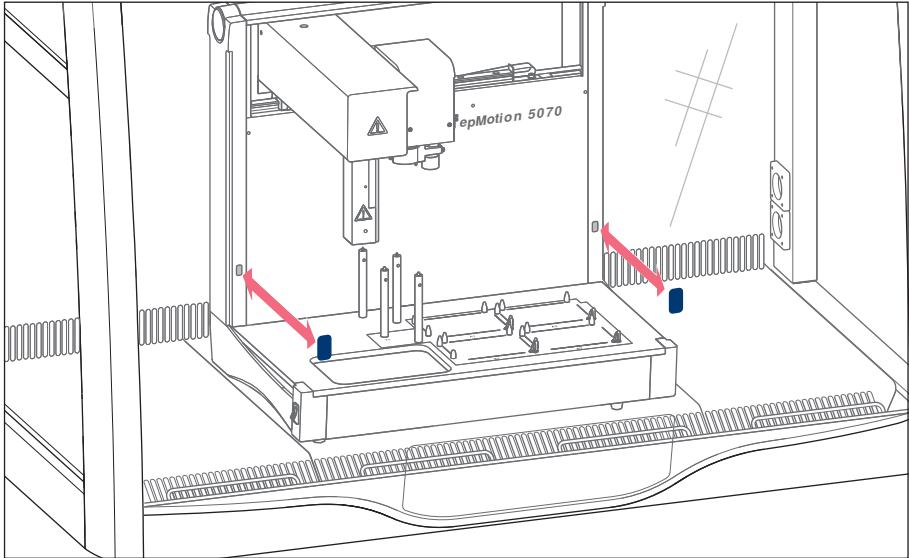


Fig. 1: Functioning of the safety equipment

The reflection foil is mounted on the front panel of the cleanbench. It is part of the safety equipment of the epMotion.

The epMotion has 2 reflex light barriers. The light beam transmitted by the epMotion is reflected by the reflection foil back to the epMotion. When the cleanbench door is opened, the light beam is interrupted. The epMotion is switched off immediately.

The reflection foil is self-adhesive.

2 Installation

2.1 Mounting the reflection foil

The epMotion may only be installed and put into service by service technicians authorized by Eppendorf.

The authorized service technician will attach the reflection foil during the installation of the epMotion.



Keep surplus pieces of the reflection foil after installation.

Instructions for use
epMotion reflection foil
English (EN)

2.2 Marking the position of the epMotion in the cleanbench

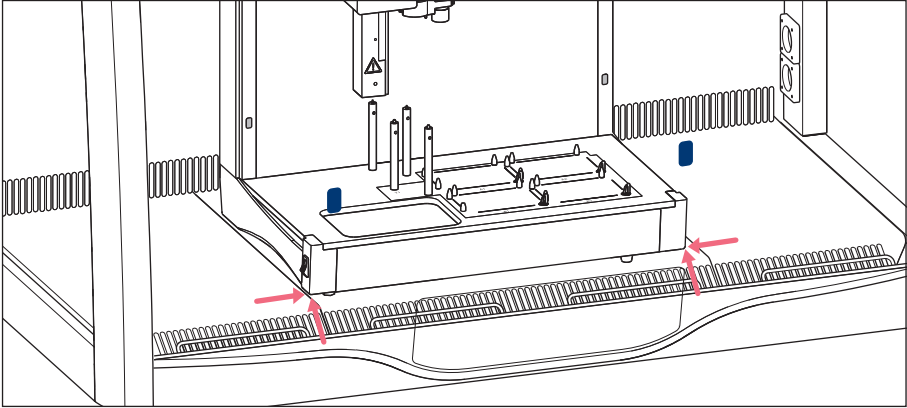


Fig. 2: Marking the position of the device

If cleaning or repair work is carried out, the position of the epMotion may shift in the cleanbench. Marking the position of the device in the cleanbench will allow the epMotion to be positioned more quickly.

- ▶ Mark the position of the epMotion in the cleanbench.
- ▶ Document the position of the epMotion in the cleanbench by taking a photograph.

3 Technical data

Ambient temperature	-20 °C – 60 °C
Reflection surface	25 mm × 40 mm

4 Ordering information

Order no. (International)	Description
5070 872.007	Reflection foil for light barrier for epMotion 5070f 4 pieces