

Installation guide

Adapter for microscope Leica® DMi8, DMI3000 - 6000/DMIRB/E
English (EN)

These mounting instructions are a supplement to the operating manuals for the micromanipulators and are not a substitute, so also read the operating manuals before using the adapter for the first time. The current versions of the operating manuals can be found on the Internet at www.eppendorf.com.

1 Installation

Adapter for mounting a micromanipulator to a microscope.

Adapter Leica® 1 for Leica® microscope models:

- DMi8
- DMI 3000 B, 3000 M, 4000 B, 5000 B, 5000 M, 6000 B
- DM IRB E, HC, DM IRE 2

For Eppendorf micromanipulators:

- TransferMan® 4r
- TransferMan® 4m
- InjectMan® 4

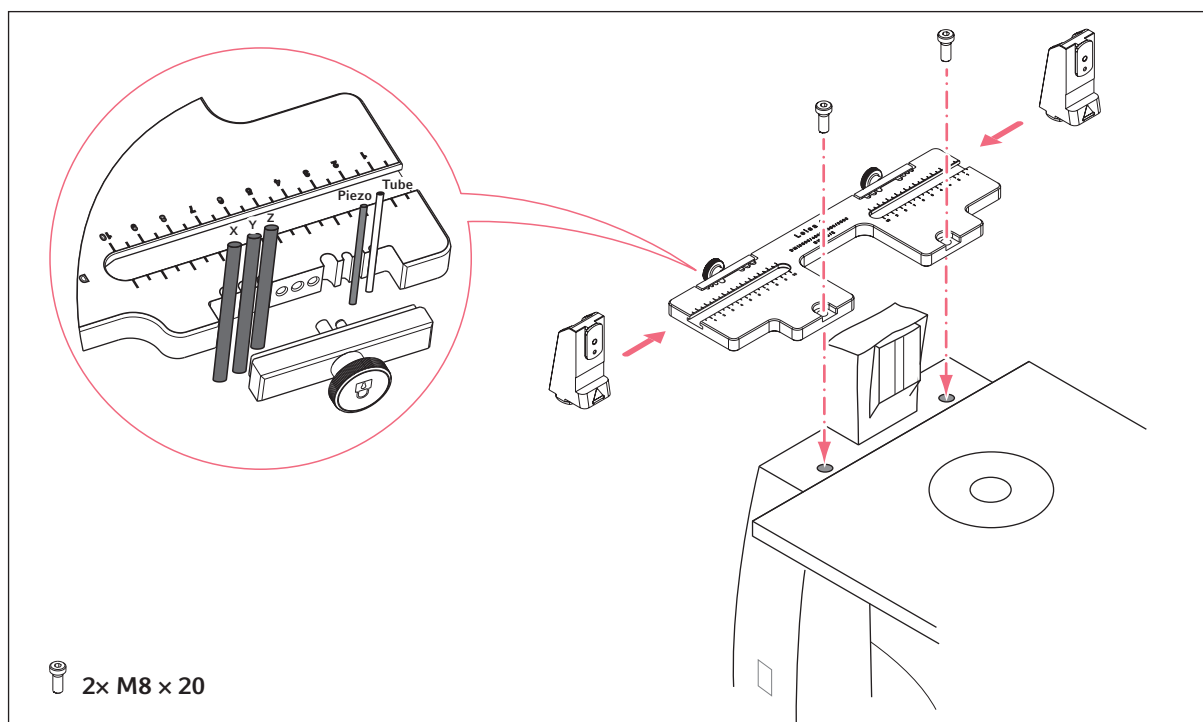


Fig. 1: Assembly overview and delivery package

Installation guide

Adapter for microscope Leica® DMI8, DMI3000 - 6000/DMIRB/E
English (EN)

2 Example parameter for installation

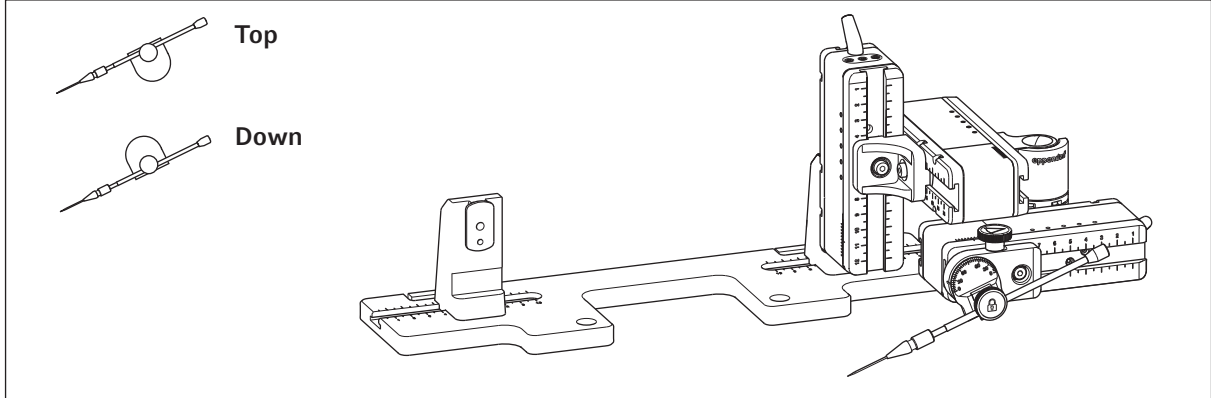


Fig. 2: Overview adapter plate with right side mounted motor modules

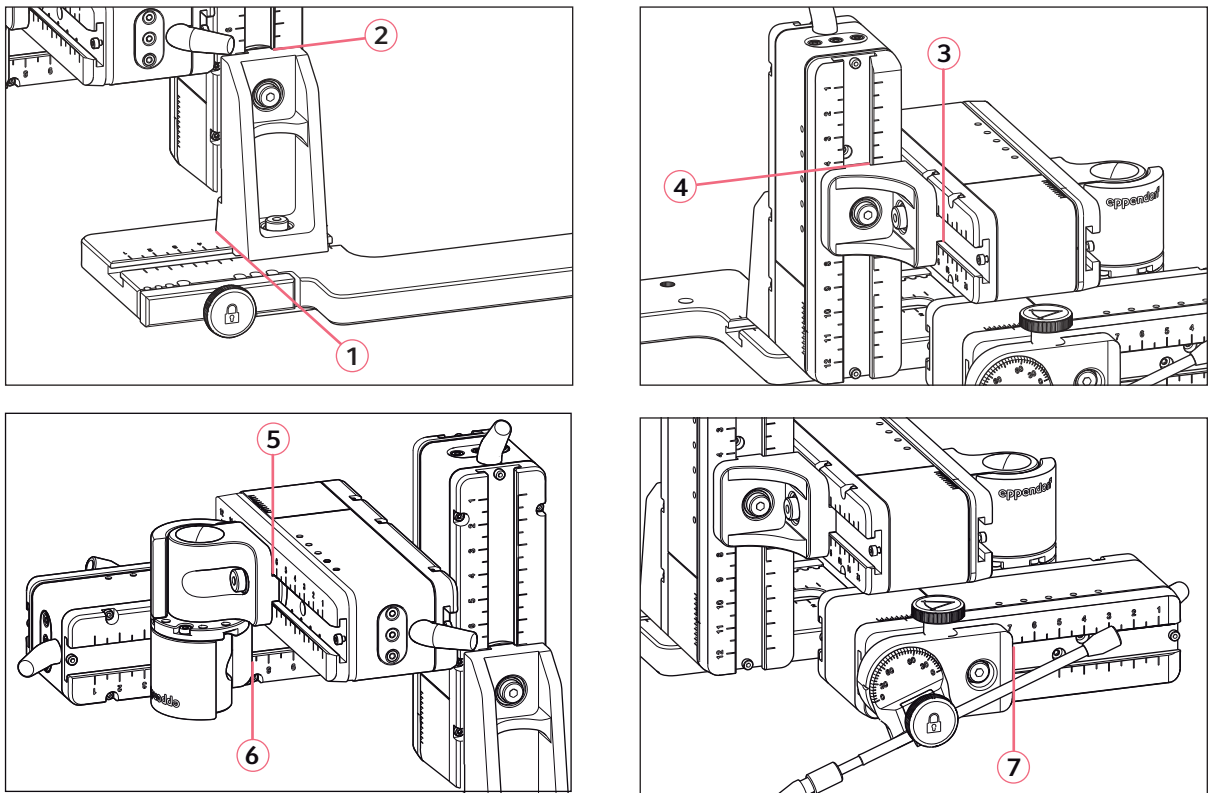


Fig. 3: Adjusting motor modules using example position parameters of table 1

Tab. 1: Example position parameters for different mounting angles

Position holder	Angle	1 [cm]	2 [cm]	3 [cm]	4 [cm]	5 [cm]	6 [cm]	7 [cm]
Down	10°	3.6	7.0	9.2	5.2	5.8	4.0	6.9
Top	25°	3.6	7.0	9.2	6.1	5.8	4.0	6.0
Top	35°	3.6	7.0	9.2	5.8	5.8	4.0	9.5
Top	40°	3.6	7.0	9.2	5.0	5.8	4.0	8.8

3 Ordering information

Order no. (International)	Order no. (North America)	Description
5192 301.000	5192301000	Adapter for microscope Leica 1 DMI8, DMI3000 B, 3000 M, 4000 B, 5000 B, 5000 M, 6000 B, DM IRB E, DM IRE 2