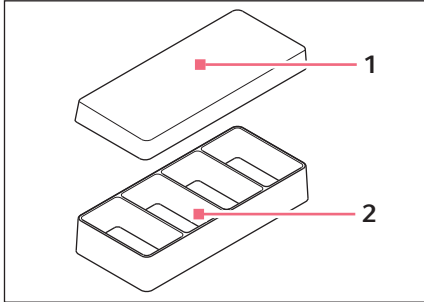


## Instructions for use

Eppendorf Cell Imaging Coverglasses

English (EN)

### 1 Product description



The Eppendorf Cell Imaging Coverglasses are suitable for the growth and microscopy of cells. There are chambers with 1, 2, 4 or 8 wells (2). The lid (1) prevents evaporation and protects against contamination.

The bottom of the Eppendorf Cell Imaging Coverglasses is made of glass as thick as a cover glass and is suitable for the microscopy of living cells.

Eppendorf Cell Imaging Consumables can be used in training, routine and research laboratories in the fields of life sciences, industry, or chemistry. The product is intended for research purposes only. Any other use is not warranted by Eppendorf. Not intended for use in diagnostic or therapeutic procedures.

The Eppendorf Cell Imaging Consumables may only be operated by skilled personnel who have been trained in the areas mentioned above.

### 2 Notes for use

---



#### **WARNING! Risk of contamination**

Consumables are only sterile in sealed packaging.

- ▶ Please check that the packaging is undamaged.
- ▶ Observe the expiry date printed on the packaging.
- ▶ Only open the packaging immediately before use.
- ▶ Only use visually perfect and undamaged items.



#### **WARNING! Risk of contamination from multiple use.**

Consumables are intended for single-use only.

- ▶ After use, dispose of consumables in accordance with the substances with which they have come into contact.

## 2 Instructions for use

### Eppendorf Cell Imaging Coverglasses

English (EN)



#### **WARNING! Damage to health due to infectious liquids and pathogenic germs.**

- ▶ When handling infectious liquids and pathogenic germs, observe the national regulations, the biological security level of your laboratory, the material safety data sheets, and the manufacturer's application notes.
- ▶ Wear personal protective equipment.
- ▶ For full instructions regarding the handling of germs or biological material of risk group II or higher, please refer to the "Laboratory Biosafety Manual" (Source: World Health Organization, current edition of the Laboratory Biosafety Manual).



#### **CAUTION! Risk of injury from glass fragments!**

Glass fragments can cause cuts.

- ▶ Handle consumables made from glass with care. Avoid glass breakage.
- ▶ Do not touch glass fragments with your hands. Use suitable tools to pick up glass fragments.

- ▶ Reagents, consumables contaminated by reagents and materials used for cleaning and disinfecting must be disposed of in accordance with laboratory regulations.
- ▶ The surface is tissue culture treated (TCT). The surface should be coated with an appropriate biological coating (e.g. collagen) to support cell attachment and growth.

## 3 Application

1. Remove the lid from the Cell Imaging Coverglass.
2. Pipet the cell suspension into the single wells.
3. Incubate the Cell Imaging Coverglasses.
4. Microscope Cell Imaging Coverglass using an inverted microscope.



Eppendorf Cell Imaging Coverglasses are suitable for microscopy of living cells.



The chamber is tied to the cover glass by means of a silicone seal. The chamber can be removed for further work steps or for archiving purposes.

### Removing the chambers

1. Carefully press down the cover glass close to the inner wall of the chamber by means of a flat device (e.g. spatula).
2. Lift the chamber upwards to remove it.

## 4 Technical data

Number of wells	1	2	4	8
Imaging area	10.8 cm <sup>2</sup>	5.0 cm <sup>2</sup>	2.1 cm <sup>2</sup>	0.9 cm <sup>2</sup>
Total volume	11.0 mL	5.5 mL	2.2 mL	0.9 mL
Recommended working volume	2 mL	1 mL	0.5 mL	0.3 mL
Material	Borosilicate			
Hydrolytic class	1			
Thickness	170 µm			
Refraction index	1.52			
Operational temperature	-20° C to +80° C			
Abbe coefficient	55			

- The Eppendorf Cell Imaging Coverglasses are packed individually and sterile.
- The chamber is attached to the glass bottom with a biocompatible silicone seal.

### Certificates

Certificates:	The certificates can be found at <a href="http://www.eppendorf.com">www.eppendorf.com</a> .
Lot-specific certificates:	Sterility Free of detectable RNase/DNase, DNA and pyrogens. Lot-specific certificates can be found at <a href="http://www.eppendorf.com">www.eppendorf.com</a> .

## 5 Ordering information

Order no. (International)	Order no. (North America)	Description
0030 742.001	0030742001	<b>Cell Imaging Coverglass</b> 1 Well 16 pieces
0030 742.010	0030742010	<b>Cell Imaging Coverglass</b> 2 Wells 16 pieces
0030 742.028	0030742028	<b>Cell Imaging Coverglass</b> 4 Wells 16 pieces
0030 742.036	0030742036	<b>Cell Imaging Coverglass</b> 8 Wells 16 pieces