



Eppendorf Conical Tubes 25 mL, snap cap

Instructions for use

Copyright©2019 Eppendorf AG, Germany. All rights reserved, including graphics and images. No part of this publication may be reproduced without the prior permission of the copyright owner.

Eppendorf® and the Eppendorf Brand Design are registered trademarks of Eppendorf AG, Germany.

Eppendorf Tubes® is a registered trademark of Eppendorf AG, Germany.

Registered trademarks and protected trademarks are not marked in all cases with ® or ™ in this manual.

1 Safety

1.1 Intended use

Eppendorf Tubes are single-use tubes made from polypropylene for preparing, mixing, centrifuging, transporting and storing solid and liquid samples and reagents.

The products can be used for training, routine and research laboratories in the areas of life sciences, industry or chemistry. The products are intended to be used for research purposes only. Eppendorf does not provide a warranty for other applications. The products are not suitable for use in diagnostic or therapeutic applications. The products may only be used by skilled personnel who have been trained in the areas mentioned above.

1.2 Safety instructions



WARNING! Damage to health from toxic, radioactive or aggressive chemicals as well as infectious liquids and pathogenic germs.

- ▶ Observe the national regulations for handling these substances, the biosafety level of your laboratory, the material safety data sheets and the manufacturer's application notes.
- ▶ Wear your personal protective equipment.
- ▶ For comprehensive regulations about handling germs or biological material of risk group II or higher, please refer to the "Laboratory Biosafety Manual" (source: World Health Organization, Laboratory Biosafety Manual, the current edition).



WARNING! Risk to health from escaping substances.

If the tube lids are not sealed properly or the lip seal is damaged, the tube lid may burst open at increased temperatures.

- ▶ Only use visually perfect and undamaged test tubes.
- ▶ Close the tubes properly. Do not damage the sealing lip.
- ▶ Observe the maximum filling volume. When opening the tubes, liquid at the lid may splash out.
- ▶ Make the necessary safety arrangements for transport or storage to prevent material escaping from the tube.
- ▶ Do not use the tubes in liquid nitrogen. The operating temperature ranges from -86°C to +100°C. If the tubes were frozen in liquid nitrogen, the tube lids may open up during thawing.

Safety

4 Eppendorf Conical Tubes 25 mL, snap cap English (EN)



WARNING! For mixers or centrifuges: Risk of contamination if the tube mounts are too large (wells, rotor bores, buckets).

Tubes may be destroyed. The tube contents may be accidentally released.

- ▶ Please note height and diameter of the tube. Only use suitable centrifuge inserts or mixer thermoblocks.
- ▶ If required, use the adapter intended for this purpose.



WARNING! Risk of contamination from damaged tubes during centrifugation.

The tubes are subjected to strong forces during centrifugation. If used incorrectly, the tubes may be destroyed. The tube contents may be accidentally released.

- ▶ Close tube lids before commencing centrifugation. Open tube lids can break off during centrifugation and damage the centrifuge.
- ▶ Observe the maximum permitted centrifugation forces.
- ▶ Read the operating manual of the centrifuge used.
- ▶ Please note that organic solvents can reduce the mechanical resistance of the tubes. In case of doubt, contact Eppendorf Application Support (support@eppendorf.com).



WARNING! Risk of contamination from multiple use.

Consumables are intended for single use only.

- ▶ After use, dispose of consumables in accordance with the substances with which they have come into contact.



CAUTION! Risk of contamination when disposing of used consumables.

- ▶ Dispose of used consumables in accordance with the substances with which they have come into contact.
- ▶ Observe the rules that apply to your laboratory.



WARNING! Risk of contamination

Consumables are only sterile in sealed packaging.

- ▶ Please check that the packaging is undamaged.
- ▶ Observe the expiry date printed on the packaging.
- ▶ Only open the packaging immediately before use.
- ▶ Only use visually perfect items.
- ▶ Do not use liquid nitrogen. The consumables could get damaged or the lids could burst open during thawing.



WARNING! Danger due to harmful substances escaping the tube

If the maximum filling volume is exceeded, substances can escape the tube during centrifugation.

- ▶ Do not fill tubes beyond their maximum filling volume.
- ▶ Make sure that the snap cap's safety tab audibly snaps into place when closing the tube.



NOTICE! Material damage due to incorrect use.

- ▶ Only use the product for its intended purpose as described in the operating manual.
 - ▶ Ensure adequate resistance of materials when using chemical substances.
 - ▶ If in doubt, contact the manufacturer of the product.
-

6 Product description
Eppendorf Conical Tubes 25 mL, snap cap
English (EN)

2 Product description
2.1 Product overview

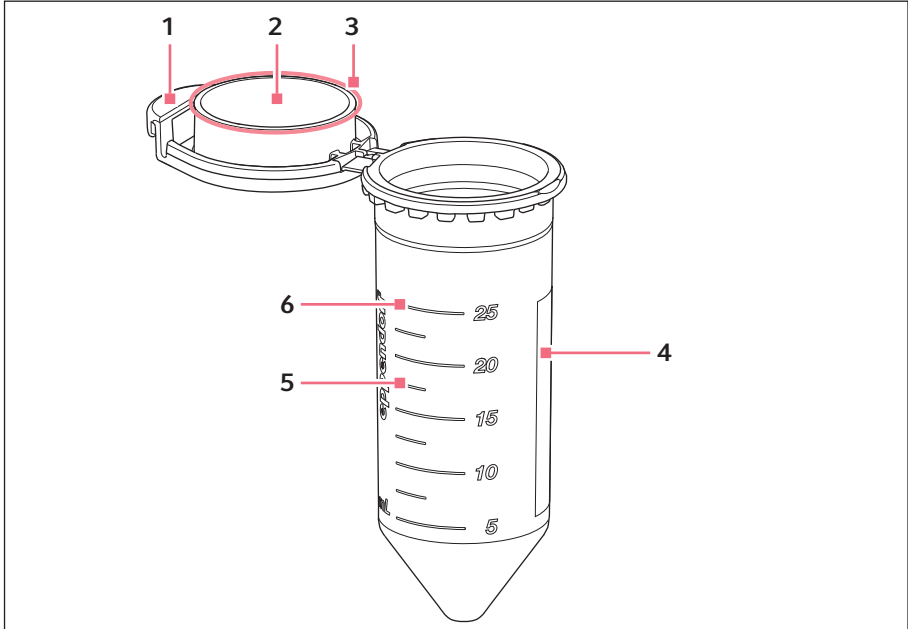


Fig. 2-1: Product overview - Eppendorf conical tube, 25 mL, snap cap

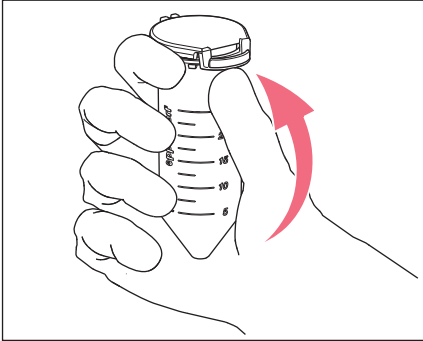
- | | |
|----------------------|---------------------------|
| 1 Safety tab | 4 Labeling area |
| 2 Snap cap | 5 Graduation |
| 3 Sealing lip | 6 Max. fill height |

2.2 Features

The micro test tube meets the high endurance requirements for centrifugation as well as temperature and chemical resistance. It is equipped with a snap cap. The graduation indicates the filling quantity and the labeling area identifies the contents.

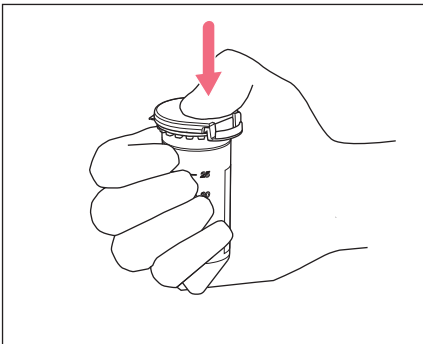
2.3 Opening and closing

2.3.1 Opening the tube



1. Press against the safety tab from below to open the snap cap.

2.3.2 Closing the tube



1. Press the lid down by its frontmost side until the safety tab snaps audibly into place.



The tube has only been properly closed if the safety tab has snapped into place correctly. The tab must sit at a right angle to the tube for this.



Leaks may occur if the safety tab is not correctly engaged.

3 Technical data

Material	Polypropylene
Operating temperature for non-autoclaved 25 mL tubes	-86 °C – 100 °C (without mixing)
	-86 °C – 80 °C (with mixing: ThermoMixer C; SmartBlock 50 mL; 25 mL adapter for SmartBlock 50 mL; mixing frequency: 800 rpm)
Operating temperature for autoclaved 25 mL tubes	-86 °C – 100 °C (without mixing)
	-86 °C – 60 °C (with mixing: ThermoMixer C; SmartBlock 50 mL; 25 mL adapter for SmartBlock 50 mL; mixing frequency: 800 rpm)
Autoclavability	121 °C for 20 min in an upright and opened state in a rack
Tube storage	Store in a cool and dry place. Protect from direct sunlight and UV light.
Sample storage	Only store tubes containing samples in an upright position.
Chemical resistance	Refer to application no. 56: <i>The best material for original Eppendorf Tubes® and Plates</i> at www.eppendorf.com/manuals

3.1 Centrifugation stability

The centrifugation stability of consumables generally depends on the following conditions:

- Properties of the consumable (e.g., material, shape)
 - Combination of centrifuge, rotor and, if applicable, adapter
 - Accuracy of fit of the consumable in the rotor bore or adapter
 - Centrifugation parameters (speed/*g*-force, temperature, centrifugation time)
 - Overall weight of consumable and contents
 - Physical and chemical properties of the centrifuged liquid
- ▶ Perform a test run to determine which conditions are suitable for your application.
- i** The mechanical strength of the tubes is reduced by the use of organic solvents. If in doubt, contact Eppendorf Application Support.

The tubes can be centrifuged in a 45° fixed-angle rotor at up to 17000 × g.

Applied testing conditions:

- Centrifuge 5920R; rotor FA6x50 or centrifuge 5810R; FA-45-6-30
- Centrifugation with suitable 25 mL centrifuge adapters
- Centrifugation temperature: 4 °C – 25 °C
- Centrifugation time: 90 min
- Sample: aqueous solutions and suspensions (density ≤ 1.0 g/mL)



Further information on centrifugation stability can be found in the instructions for use of the centrifugation adapter for 25 mL *Conical Tubes*.

3.2 Eppendorf purity grades

Eppendorf Conical Tubes 25 mL, snap cap, are available with the following purity grades:

- Eppendorf Quality certified by batch:
- Sterile, pyrogen-free, DNase-free, RNase-free, DNA-free
- PCR clean

	Eppendorf Quality	Sterile	PCR clean
Batch-certified for the following purity criteria			
Human DNA-free		■	■
DNA-free (free of human and bacterial DNA)			
DNase-free		■	■
RNase-free		■	■
PCR inhibitor-free			■
ATP-free			
Pyrogen-free (endotoxin-free)		■	
Sterile (Ph.Eur./USP)		■	

Batch-specific certificates are available on the Internet at: www.eppendorf.com/certificates.

Ordering information

Eppendorf Conical Tubes 25 mL, snap cap
English (EN)

4 Ordering information

Order no. (International)	Description
0030 118.405	Eppendorf Conical Tubes 25 mL with snap cap, 200 pieces (5 bags x 50 tubes), clear Eppendorf Quality
0030 118.421	Eppendorf Conical Tubes 25 mL with snap cap, 150 pieces (6 bags x 25 tubes), clear Sterile, pyrogen-, DNase-, RNase-, human and bacterial DNA-free
0030 118.502	Eppendorf Starter Pack snap cap 1 set 25 mL tubes, PCR clean, 1 set of centrifugations adapter, 1 set of single tube stand
0030 115.860	Single Tube Stand for 25/50 mL Tubes, Set of 4
0030 122.429	Eppendorf Conical Tubes 25 mL with screw cap, 200 pieces (5 bags x 40 tubes), clear PCR clean
0030 140.729	Eppendorf Storage Box 3 x 3, 3.5 inch height 88,9 mm, for 9 conical tubes 25 mL and 4 micro test tubes 5 mL 2 pieces
5365 000.109	Adapter 25 mL for SmartBlock 50 mL, Set of 2
5353 040.156	Tube Holder for 4 conical tubes 30 mL/50 mL
5820 733.004	Centrifuge adapter for Eppendorf Conical Tubes 25 mL with snap cap, Set of 6

Evaluate Your Manual

Give us your feedback.

www.eppendorf.com/manualfeedback

Your local distributor: www.eppendorf.com/contact

Eppendorf AG · Barkhausenweg 1 · 22339 Hamburg · Germany
eppendorf@eppendorf.com · www.eppendorf.com