

Instructions for use

Centrifugation adapters for Eppendorf Conical Tubes 25 mL

English (EN)

Centrifugation adapter – Instructions for use

This document is a supplement to the operating manual of the centrifuge and not a replacement for it. Therefore, please also read the operating manual before starting up the rotors for the first time. You can find the current version on the Internet at www.eppendorf.com/worldwide.

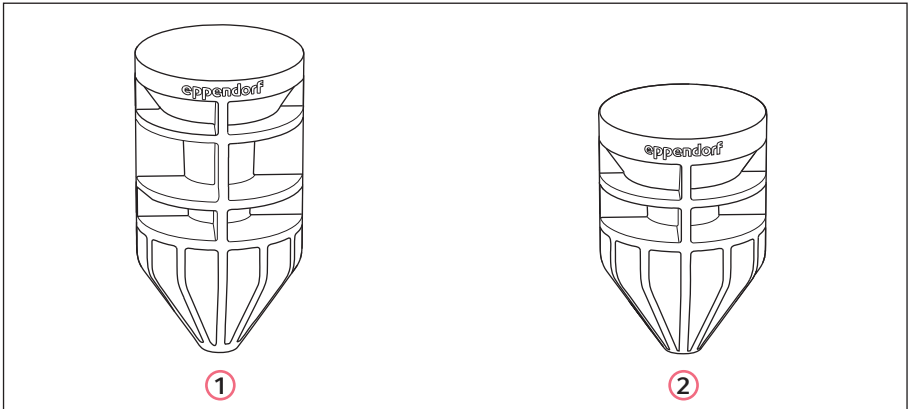
Instructions for use

2 Centrifugation adapters for Eppendorf Conical Tubes 25 mL English (EN)

1 Product description

The Centrifugation adapter are designed for centrifuging Eppendorf Conical Tubes 25 mL snap cap and screw cap in all 50 mL adapters and rotors.

- i** Due to the high g-forces, the corresponding adapters have to be used for centrifuging Eppendorf Conical Tubes 25 mL. If centrifugation is performed without adapters or if adapters (snap cap and screw cap) are confused, the tubes may slide into the hole and become damaged; sample loss is also possible.



1 Centrifugation adapter for Eppendorf Conical Tubes 25 mL, screw cap, RAL color 7035 light gray

2 Centrifugation adapter for Eppendorf Conical Tubes 25 mL, snap cap, RAL color 1028 melon yellow

2 Inserting the Centrifugation adapter

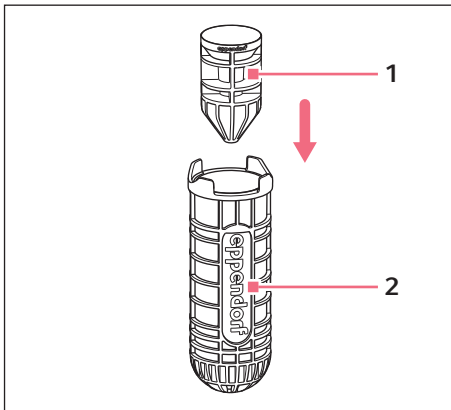


Fig. 1: Inserting the centrifugation adapter for Eppendorf Conical Tubes 25 mL into an adapter for Eppendorf Conical Tubes 50 mL

1 Centrifugation adapter for Eppendorf Conical Tubes 25 mL 2 Adapter for Eppendorf Conical Tubes 50 mL

1. Insert the Centrifugation adapter into the 50 mL adapter or rotor as shown.

Instructions for use

4 Centrifugation adapters for Eppendorf Conical Tubes 25 mL English (EN)

3 Remove Centrifugation adapter



NOTICE! Damage to the rotor

Uncareful removal of the centrifugation adapter may damage the rotor surface.

- ▶ Always remove the centrifugation adapter carefully and with a suitable tool.

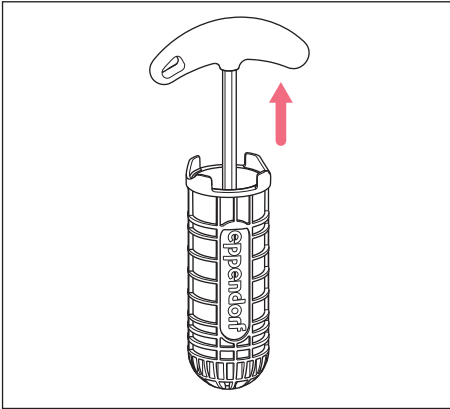


Fig. 2: Removing the centrifugation adapter for Eppendorf Conical Tubes 25 mL from an adapter for Eppendorf Conical Tubes 50 mL or a corresponding rotor.

1. Insert the rotor key (size 6 or 7) into the hole in the centrifugation adapter.
2. Pull the rotor key out of the 50 mL adapter or rotor together with the centrifugation adapter.

4 Cleaning and Disinfection

- ▶ Use a mild cleaning agent for cleaning.
- ▶ Use alcohol (ethanol, isopropanol) or disinfectants containing alcohol for the disinfection.



The Centrifugation adapter can be autoclaved (121° C, 20 min).

5 Technical data
5.1 Material

POM

5.2 Radii for the Centrifugation adapter

Tab. 1: Centrifuge 5702/R/RH

Rotor	Adapter [Order No.]	Max. centrifugation radius [cm]	Max. g-force [rcf]	Max. rotational speed [rpm]
A-4-38	5702 734.004	screw: 9.7	screw: 2 100	4 400
		snap: 10.7	snap: 2 316	

Tab. 2: Centrifuge 5430/R

Rotor	Adapter [Order No.]	Max. centrifugation radius [cm]	Max. g-force [rcf]	Max. rotational speed [rpm]
FA-35-6-30	5427 727.000	screw: 8.4	screw: 5 764	7 830
		snap: 8.9	snap: 6 162	

Tab. 3: Centrifuge 58XX/R

Rotor	Adapter [Order No.]	Max. centrifugation radius [cm]	Max. g-force [rcf]	Max. rotational speed [rpm]
F-34-6-38	5804 775.007	screw: 8.7	screw: 14 070	12 000
A-4-44	5804 758.005	screw: 11.4	screw: 3 186	5 000
		snap: 12.4	snap: 3 465	
A-4-44	5804 718.003	screw: 11.6	screw: 3 242	5 000
		snap: 12.6	snap: 3 521	
S-4-72	5804 784.006	screw: 12.8	screw: 2 524	4 200
		snap: 13.7	snap: 2 701	
FA-45-6-30	-	screw: 9.7	screw: 15 877	12 100
		snap: 10.4	snap: 17 023	

6 Instructions for use
Centrifugation adapters for Eppendorf Conical Tubes 25 mL
 English (EN)

Tab. 4: Centrifuge 5810/R

Rotor	Adapter [Order No.]	Max. centrifugation radius [cm]	Max. g-force [rcf]	Max. rotational speed [rpm]
A-4-81	5820 723.000	screw: 14.8	screw: 2 593	4 000
		snap: 15.8	snap: 2 772	
S-4-104	5825 733.002	screw: 15.1	screw: 2 567	3 900
		snap: 16.1	snap: 2 737	
A-4-62	5810 758.009	screw: 14.1	screw: 2 522	4 000
		snap: 15.1	snap: 2 701	

Tab. 5: Centrifuge 5910 R

Rotor	Adapter [Order No.]	Max. centrifugation radius [cm]	Max. g-force [rcf]	Max. rotational speed [rpm]
S-4xUniversal	5910 769.008	screw: 15.6	screw: 3 531	4 500
		snap: 16.6	snap: 3 758	
S-4xUniversal	5910 751.001	screw: 15.5	screw: 3 509	4 500
		snap: 16.5	snap: 3 735	
S-4x750	5825 733.002	screw: 15.7	screw: 3 877	4 700
		snap: 16.7	snap: 4 124	
S-4x500	5810 723.000	screw: 14.8	screw: 2 647	4 000
		snap: 15.8	snap: 2 826	
S-4x400	5910 701.004	screw: 14.2	screw: 4 129	5 100
		snap: 15.2	snap: 4 420	
FA-6x50	-	screw: 9.7	screw: 15 877	12 100
		snap: 10.4	snap: 17 023	

Tab. 6: Centrifuge 5920 R

Rotor	Adapter [Order No.]	Max. centrifugation radius [cm]	Max. g-force [rcf]	Max. rotational speed [rpm]
FA-6x50	-	screw: 15.6	screw: 15 877	12 100
		snap: 16.6	snap: 17 023	
FA-6x250	5920 760.009	screw: 95	screw: 10 834	10 100
		snap: –	snap: –	
S-4x750	5825 733.002	screw: 15.5	screw: 3 877	4 700
		snap: 16.5	snap: 4 124	
S-4x1000 RB	5825 733.002	screw: 15.7	screw: 1 852	3 700
		snap: 16.7	snap: 2 005	
S-4x1000 PTB	5910 711.008	screw: 14.8	screw: 2 540	3 700
		snap: 15.8	snap: 2 693	
S-4x1000 PTB	5920 709.003	screw: 14.2	screw: 2 525	3 700
		snap: 15.2	snap: 2 678	
S-4x1000 HCB	5920 715.003	screw: 14.2	screw: 2 586	3 700
		snap: 15.2	snap: 2 739	
S-4xUniversal-L	5920 735.004	screw: 9.7	screw: 3 614	4 250
		snap: 10.4	snap: 3 816	

Instructions for use

Centrifugation adapters for Eppendorf Conical Tubes 25 mL
English (EN)

6 Ordering information

Order no. (International)	Order no. (North America)	Description
5820 733.004	5820733004	Centrifuge adapter for Eppendorf Conical Tubes 25 mL with snap cap, Set of 6
Order no. (International)	Order no. (North America)	Description
5820 734.000	5820734000	Centrifuge adapter for Eppendorf Conical Tubes 25 mL with screw cap, Set of 6

Your local distributor: www.eppendorf.com/contact
Eppendorf AG · Barkhausenweg 1 · 22339 Hamburg · Germany
eppendorf@eppendorf.com · www.eppendorf.com