

Instructions for use

Rotor F-45-22-17

English (EN)

These instructions for use are a supplement to the Concentrator plus manual and do not replace it. Therefore, please also read the Concentrator plus manual before starting up the rotor for the first time. The current version of the manual can be found on the Internet under www.eppendorf.com/manuals.

1 Product description

The F-45-22-17 rotor is a fixed-angle rotor with a maximum capacity of 22 conical tubes for the Concentrator plus.

The following conical tubes may be used:

- Eppendorf 5 mL snap cap
- Eppendorf 5 mL screw cap

2 Safety notes



WARNING! Risk of injury from improperly attached rotors.

- ▶ Only operate the device if the rotor has been mounted properly.
 - ▶ If there are any unusual noises when the device is started up, stop the concentration immediately by pressing the **start/stop** key.
-



CAUTION! Risk of injury from overloaded rotor.

The device is designed for the concentration of substances with a max. density of 1.2 g/mL at maximum speed and volume.

- ▶ Observe the maximum load for each rotor (adapter, tube and contents) per rotor bore or per bucket, and do not exceed this limit.
-

Instructions for use

Rotor F-45-22-17

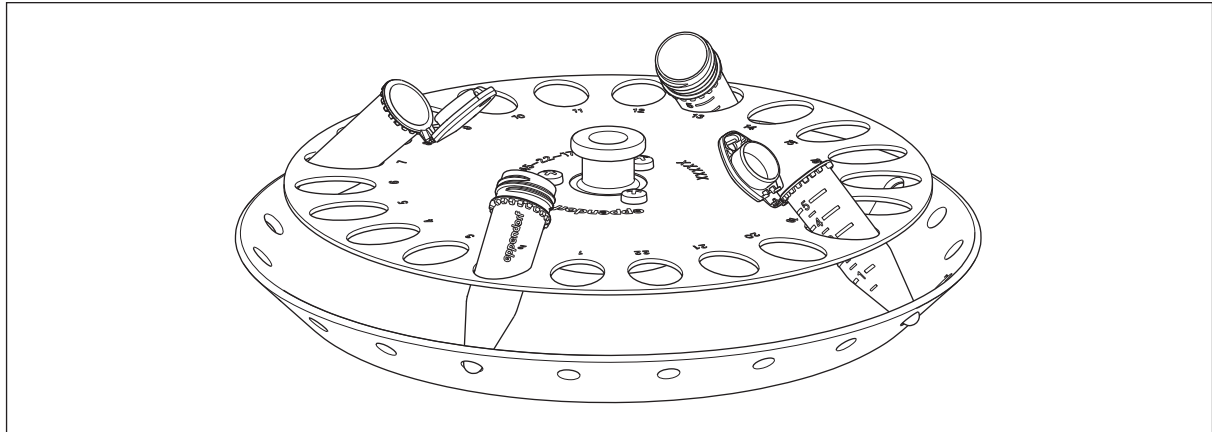
English (EN)

3 Handling

3.1 Loading the rotor

Before you load the rotor, take note of:

- the maximum load (tube and load) per rotor bore.
- the fact that the rotor may only be loaded with tubes intended for it.



- ▶ Insert tubes opposite each other in pairs into the rotor bores. Tubes opposite each other must contain the same filling quantity in order to have a symmetrical load.

4 Service life

All rotors and rotor lids can be used throughout the entire service life of the device, if the following conditions are met:

- proper use
- recommended maintenance
- undamaged condition

5 Technical data

Number of tubes/volume	22 / 5 mL
Max. g-force (rcf)/rotational speed (rpm)	242 × g / 1400 rpm
Max. load per bore (tube and contents)	10 g
Tube diameter/tube height	17 mm / 59.4 mm–67.4 mm

Please see the operating manual for further technical data and order numbers.

Your local distributor: www.eppendorf.com/contact

Eppendorf AG · Barkhausenweg 1 · 22339 Hamburg · Germany
eppendorf@eppendorf.com · www.eppendorf.com