

Installation guide

Adapter for microscope Nikon® Eclipse® TsR - TsR-FL
English (EN)

These mounting instructions are a supplement to the operating manuals for the micromanipulators and are not a substitute, so also read the operating manuals before using the adapter for the first time. The current versions of the operating manuals can be found on the Internet at www.eppendorf.com.

1 Overview

Adapter for mounting a micromanipulator to a microscope.

Adapter Nikon® 2 for Nikon® microscope models:

- Eclipse® Ts2R
- Eclipse® Ts2R-FL

For Eppendorf micromanipulators:

- TransferMan® 4r
- TransferMan® 4m
- InjectMan® 4

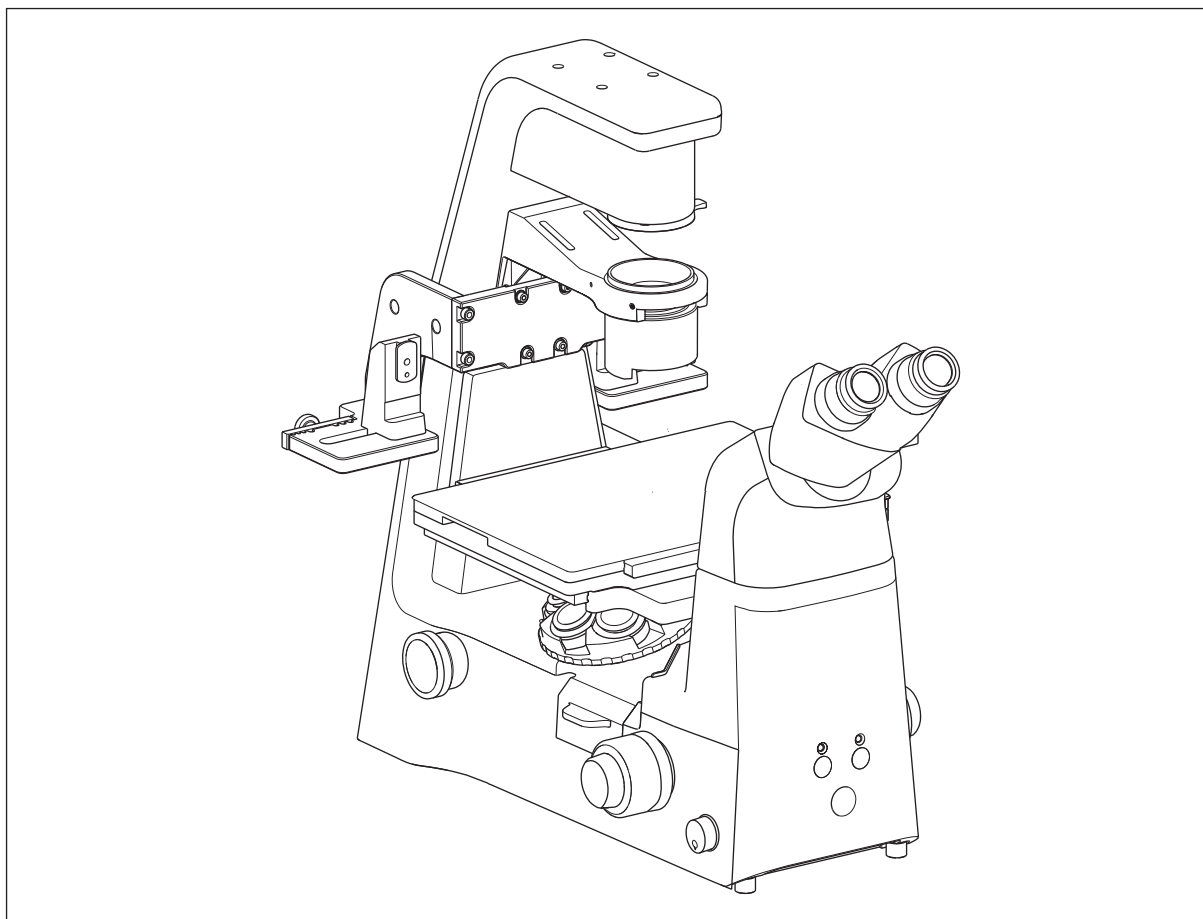


Fig. 1: Assembly overview

Installation guide

Adapter for microscope Nikon® Eclipse® TsR - TsR-FL
English (EN)

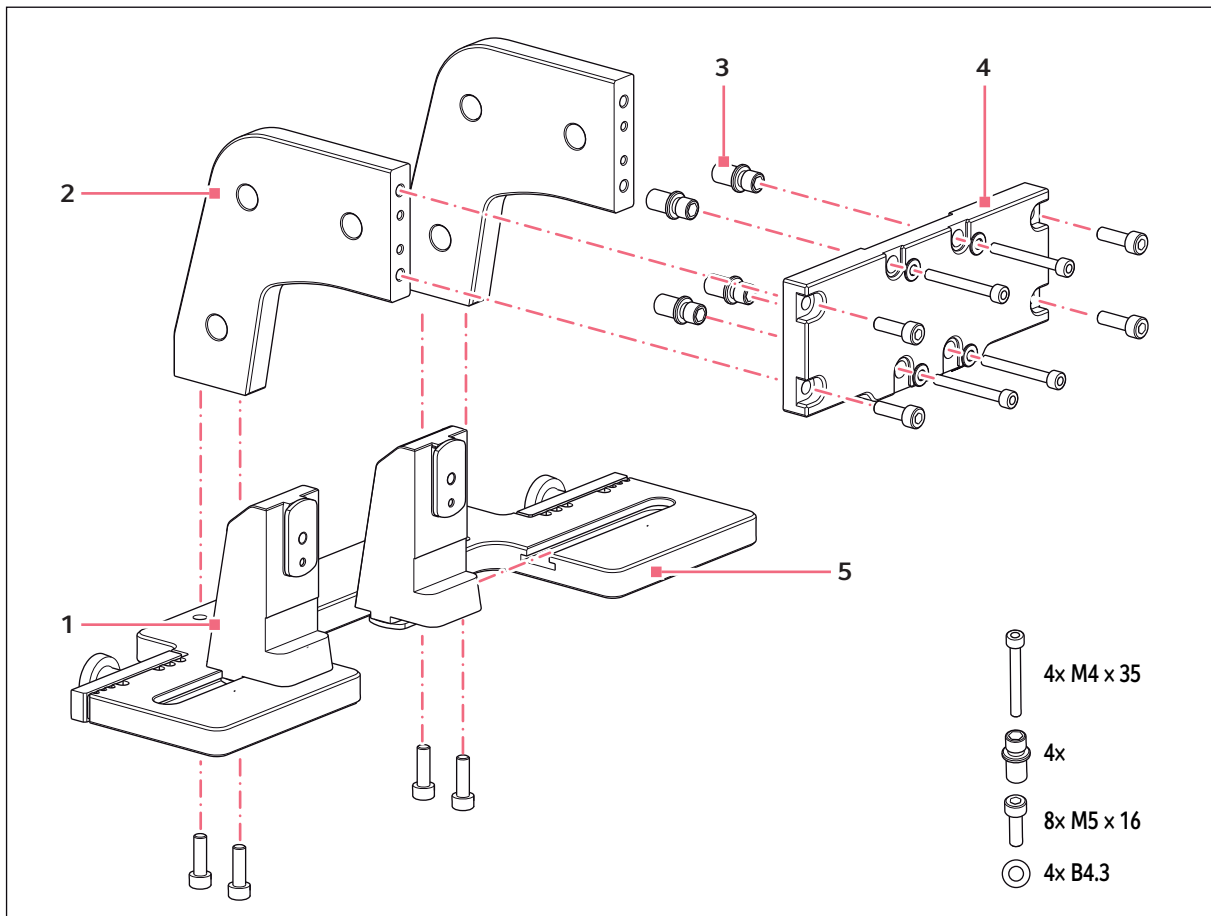


Fig. 2: Delivery package

1 Z-module holder

2 Angle plate

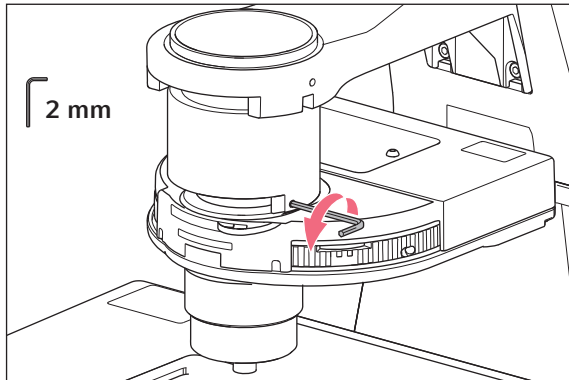
3 Distance sleeve

4 Mounting plate

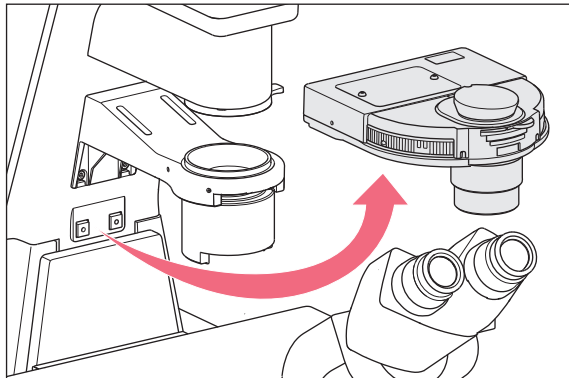
5 Adapter plate

2 Installation

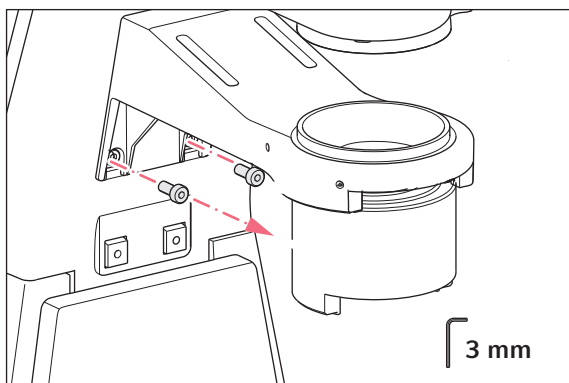
2.1 Removing the condenser



1. Loosen the set screw.



2. Pull the condenser out to the front.

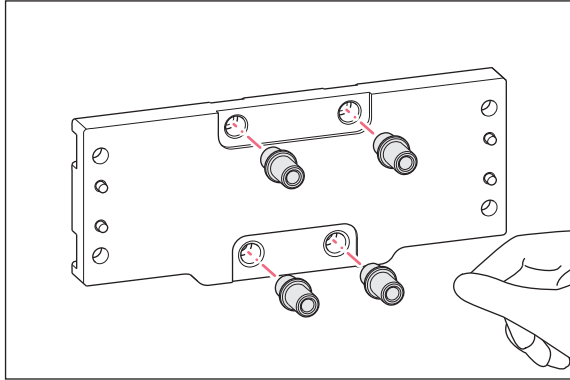


3. Unscrew the upper screws of the condenser holder.

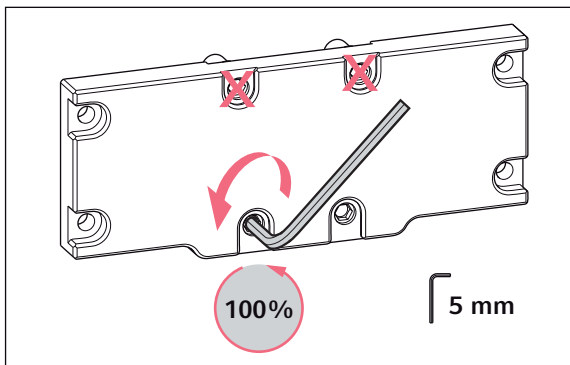
Installation guide

Adapter for microscope Nikon® Eclipse® TsR - TsR-FL
English (EN)

2.2 Preparing the mounting plate



1. Insert the distance sleeves into the mounting plate from behind.
2. Loosely fasten the upper distance sleeves.
3. Completely screw in the lower distance sleeves.

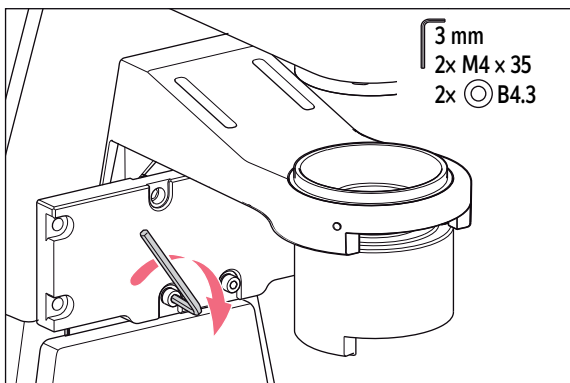


4. Fasten the lower distance sleeves from the front by turning them clockwise.

2.3 Assembling the mounting plate

Prerequisites

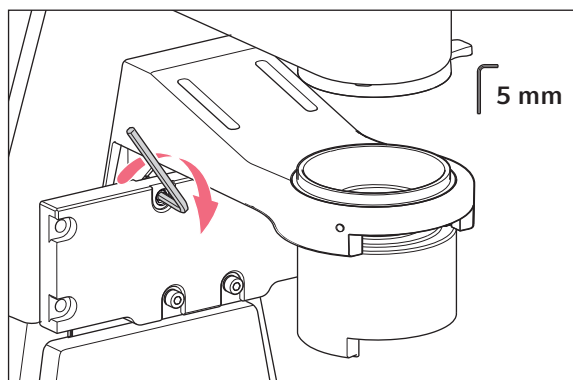
- The mounting plate is equipped with the distance sleeves.
- The upper distance sleeves are loosely fitted.
- The screws have flat washers.



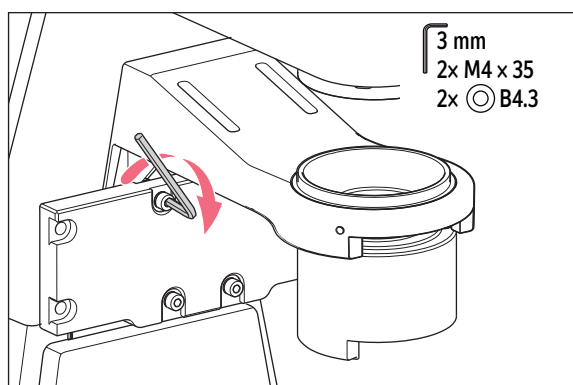
1. Insert the screws from the front through the lower distance sleeves.
2. Hold the mounting plate against the condenser holder.
3. Tighten the screws using the Allen key.

Installation guide

Adapter for microscope Nikon® Eclipse® TsR - TsR-FL
English (EN)

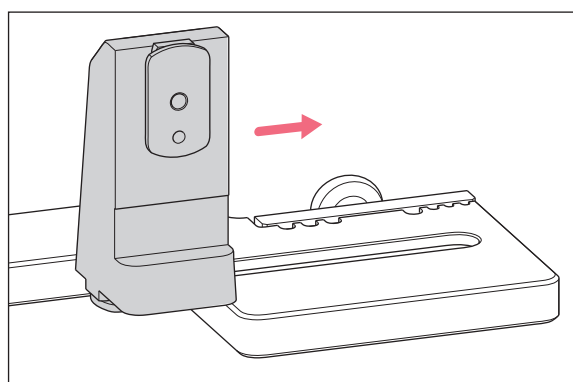


4. Insert the Allen key from the front into the upper distance sleeves.
5. Turn the distance sleeves clockwise until they just touch the condenser holder.



6. Fit the screws through the upper distance sleeves.
7. Tighten the screws using the Allen key.

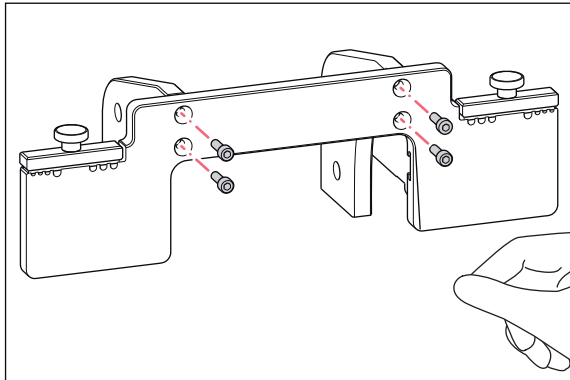
2.4 Preparing the adapter plate



1. Insert and loosely tighten the Z-module holder in the right-hand groove.
2. Insert and loosely tighten the Z-module holder in the left-hand groove.

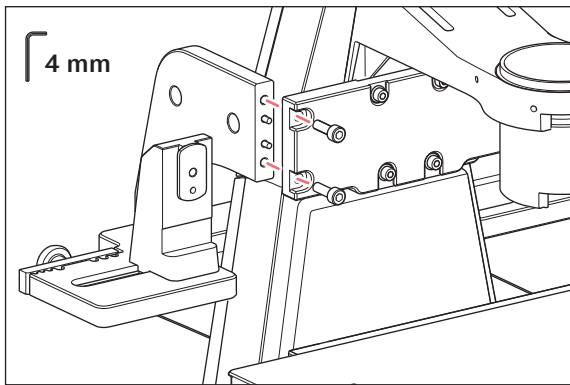
Installation guide

Adapter for microscope Nikon® Eclipse® TsR - TsR-FL
English (EN)



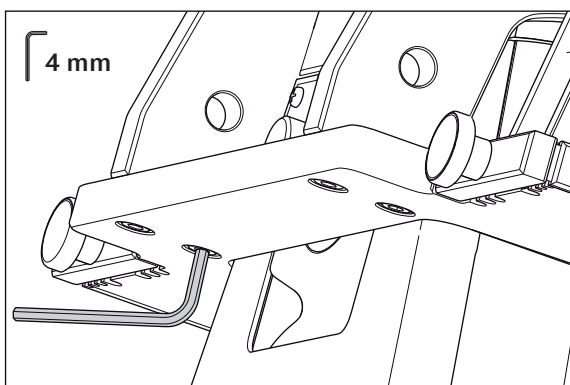
3. Put the adapter plate in a vertical position.
4. Hold the angle plates against the adapter plate.
5. Insert the screws from below in the adapter plate.
6. Loosely tighten the screws by hand.

2.5 Connecting the adapter plate and the mounting plate



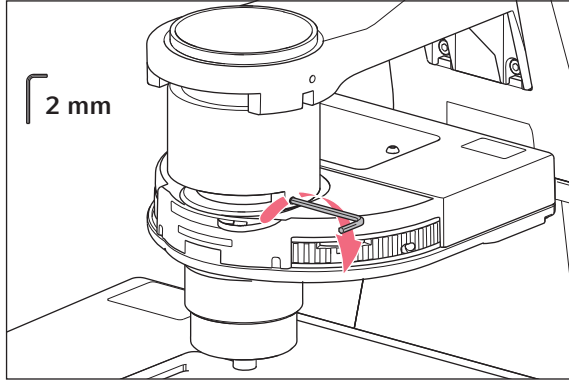
1. Fit the adapter plate with the angle plates from the rear against the mounting plate.
2. Insert the screws from the front in the mounting plate.
3. Tighten the screws using the Allen key.

2.6 Retightening the screws



1. Tighten loose screws at the bottom of the adapter plate using the Allen key.

2.7 Inserting the condenser



1. Insert the condenser from the front in the condenser holder.
2. Tighten the set screw.
3. Check the Koehler adjustment of the microscope.

3 Example parameter for installation

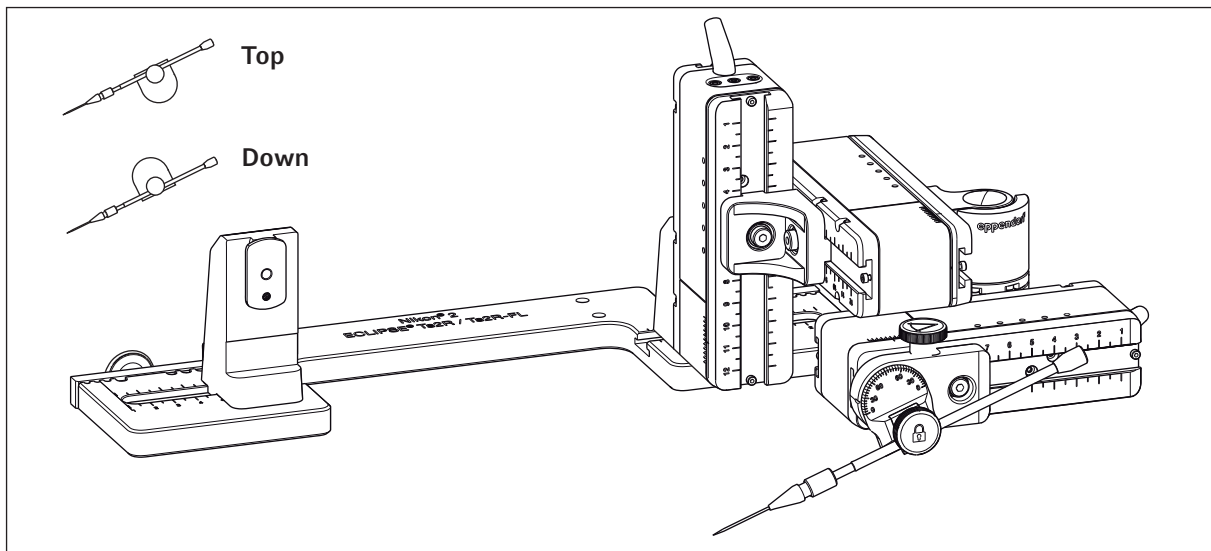


Fig. 3: Overview adapter plate with right side mounted motor modules

Installation guide

Adapter for microscope Nikon® Eclipse® TsR - TsR-FL
English (EN)

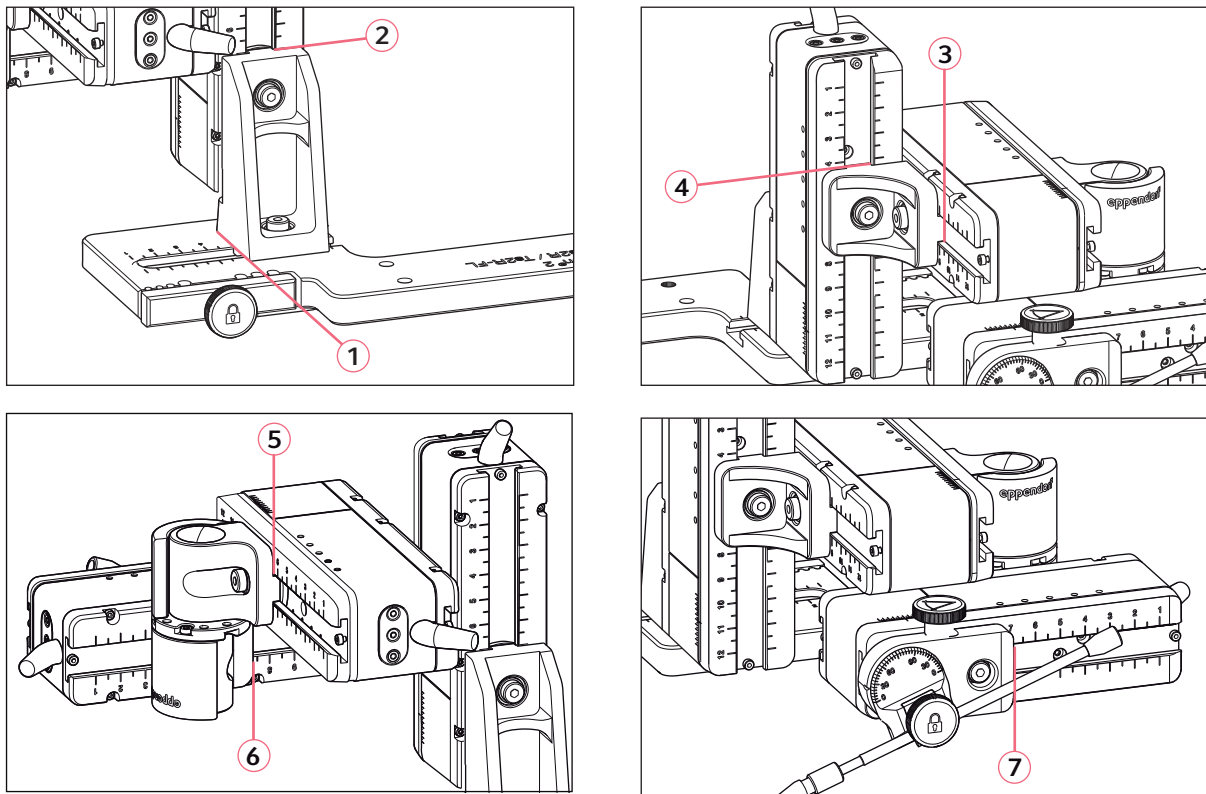


Fig. 4: Adjusting motor modules using example position parameters of table 1

Tab. 1: Example position parameters for different mounting angles

Positon holder	Angle	1 [cm]	2 [cm]	3 [cm]	4 [cm]	5 [cm]	6 [cm]	7 [cm]
Down	10°	5.5	7.0	7.8	6.1	5.9	4.6	9.5
Down	25°	5.5	7.0	7.8	4.1	5.9	4.6	9.5
Top	25°	5.5	7.0	7.8	6.7	5.9	4.6	7.0
Top	35°	5.5	7.0	7.8	6.1	5.9	4.6	9.0
Top	45°	5.5	7.0	7.8	4.7	5.9	4.6	9.8

4 Ordering information

Order no. (International)	Order no. (North America)	Description
5192 317.004	5192317004	Adapter for microscope Nikon 2 Eclipse Ts2R

Your local distributor: www.eppendorf.com/contact
Eppendorf AG · Barkhausenweg 1 · 22339 Hamburg · Germany
eppendorf@eppendorf.com · www.eppendorf.com