



Compatibility of epT.I.P.S.<sup>®</sup> 5 mL and  
5 mL L Pipette Tips with Different Vessel Types

The elongated epT.I.P.S.® 5 mL L have a wider range of vessel compatibilities

**Example 15 mL conical tube:**

epT.I.P.S. 5 mL (left) sits on the rim of the conical tube **(1a)**.

Instead the epT.I.P.S. 5 mL L (right) leave enough space not to touch the conical tube **(1b)**.



**A wider range of compatibilities with vessel types is achieved by following benefits of the elongated epT.I.P.S. 5 mL L:**

- 1) Slim shape (avoiding contamination by touching a vessel)
- 2) Long shape (avoiding sample loss by reaching the bottom of the vessel wall)

The following information gives an overview about the compatibilities with different vessel types (chapter A). It also gives information in case a vessel becomes touched or the bottom is not reached.

In case a vessel type is not listed dimensional drawings give information about dimensions of the epT.I.P.S. 5 mL and 5 mL L tips (chapter B). The compatibility can be estimated from this information.

### A) Vessel compatibilities

**Table of vessel compatibilities**

Only those vessels have been tested which make sense to be used with 5 mL Pipettes. For this reason tubes of 0.5 mL or smaller (e.g. PCR tubes), PCR plates, microplates and cell culture plates are not listed.

**Legend**

✓	fits into vessel without touching; possible to empty vessel
✗	does not fit into vessel
touch	pipette/tip touches the vessel wall
sample loss	not all liquid can be removed from vessel

### 3 epT.I.P.S.<sup>®</sup> 5 mL and 5 mL L – Vessel compatibility chart

## A Vessel Compatibilities

### 1. Erlenmeyer flasks



Volume	Depth of vessel [mm]	Opening diameter of vessel [mm]	epT.I.P.S. <sup>®</sup> 5 mL	epT.I.P.S. <sup>®</sup> 5 mL L
1000 mL	220	34	×	×
500 mL	178	34	×	✓
200 mL	134	34	touch sample loss	✓
100 mL	103	18,6	touch sample loss	✓

### 2. Laboratory glass bottles



Volume	Depth of vessel [mm]	Opening diameter of vessel [mm]	epT.I.P.S. <sup>®</sup> 5 mL	epT.I.P.S. <sup>®</sup> 5 mL L
1000 mL	225	30	×	×
500 mL	165	30	×	✓
250 mL	135	30	×	✓
100 mL (round)	95	30	✓	✓
100 mL (angled)	95	16.8	touch sample loss	✓
50 mL	93	16.8	touch	✓
25 mL	68	14.5	touch sample loss	✓

4 epT.I.P.S.® 5 mL and 5 mL L – Vessel compatibility chart

3. Graduated flasks



Volume	Depth of vessel [mm]	Opening diameter of vessel [mm]	epT.I.P.S.® 5 mL	epT.I.P.S.® 5 mL L
50 mL	140	NS12.5/21	×	sample loss
50 mL	141	NS14/23	×	sample loss

4. Conical tubes (centrifugation tubes)



Volume	Depth of vessel [mm]	Opening diameter of vessel [mm]	epT.I.P.S.® 5 mL	epT.I.P.S.® 5 mL L
50 mL	115	27	✓	✓
15 mL	118	15	×	✓

5 epT.I.P.S.® 5 mL and 5 mL L – Vessel compatibility chart

4. Cell culture flasks



Volume	Depth of vessel [mm]	Opening diameter of vessel [mm]	epT.I.P.S.® 5 mL	epT.I.P.S.® 5 mL L
175 cm <sup>3</sup>	215	26.5	x	x
75 cm <sup>3</sup>	155	21.5	x	✓
25 cm <sup>3</sup>	93	14.6	x	✓

5. Reaction tubes (Eppendorf Tubes®)



Volume	Depth of vessel [mm]	Opening diameter of vessel [mm]	epT.I.P.S.® 5 mL	epT.I.P.S.® 5 mL L
5.0 mL	55	15	✓	✓
2.0 mL	39	9	✓	✓
1.5 mL	37	9	✓	✓

7. Cryo tubes



Volume	Depth of vessel [mm]	Opening diameter of vessel [mm]	epT.I.P.S. <sup>®</sup> 5 mL	epT.I.P.S. <sup>®</sup> 5 mL L
4.5 mL	82	9.5	✗	✓
1.8 mL	38	9.5	✓	✓
1.0 mL	28	9.5	✓	✓
1.8 mL	36	10.0	✓	✓

8. Oak ridge flask



Volume	Depth of vessel [mm]	Opening diameter of vessel [mm]	epT.I.P.S. <sup>®</sup> 5 mL	epT.I.P.S. <sup>®</sup> 5 mL L
80 mL	99	25	✓	✓
50 mL	99	16	✓	✓
30 mL	88	14	✓	✓
16 mL	91	10	✗	touch
10 mL	77	8	✗	✗

9. Blood tubes



Volume	Depth of vessel [mm]	Opening diameter of vessel [mm]	epT.I.P.S.® 5 mL	epT.I.P.S.® 5 mL L
10 mL	98	13.5	✓	✓
6 mL	98	10.5	✗	✓
5 mL	74	10.5	✗	✓

10. Round bottom tubes



Volume	Depth of vessel [mm]	Opening diameter of vessel [mm]	epT.I.P.S.® 5 mL	epT.I.P.S.® 5 mL L
15 mL	94	14.5	✓	✓
5 mL	75	10	✗	✓

11. Test tube



Volume	Depth of vessel [mm]	Opening diameter of vessel [mm]	epT.I.P.S.® 5 mL	epT.I.P.S.® 5 mL L
15 mL	155	13.5	✗	✗

12. Other plastic flasks



Volume	Depth of vessel [mm]	Opening diameter of vessel [mm]	epT.I.P.S. 5 mL	epT.I.P.S. 5 mL L
-	118	29	✓	✓
125 mL	94	29	✓	✓
50 mL	59	18	✓	✓



### 13. Deepwell plates

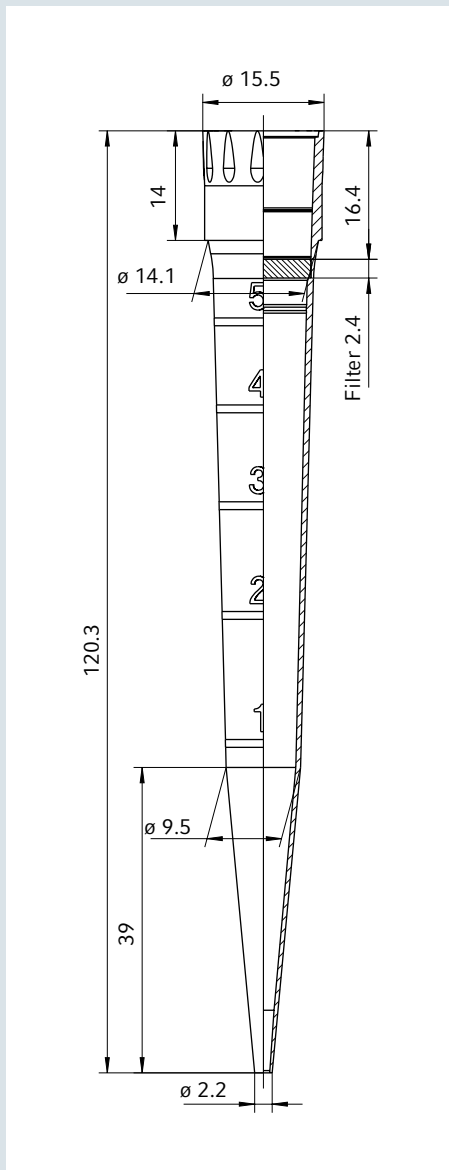


Volume	Depth of vessel [mm]	Opening diameter of vessel [mm]	epT.I.P.S.® 5 mL	epT.I.P.S.® 5 mL L
96 Well, 500 µL	22	6.7	✓	✓
96 Well, 1,000 µL	40	6.7	✗	✗
96 Well, 2,000 µL	40	8	✗	✗

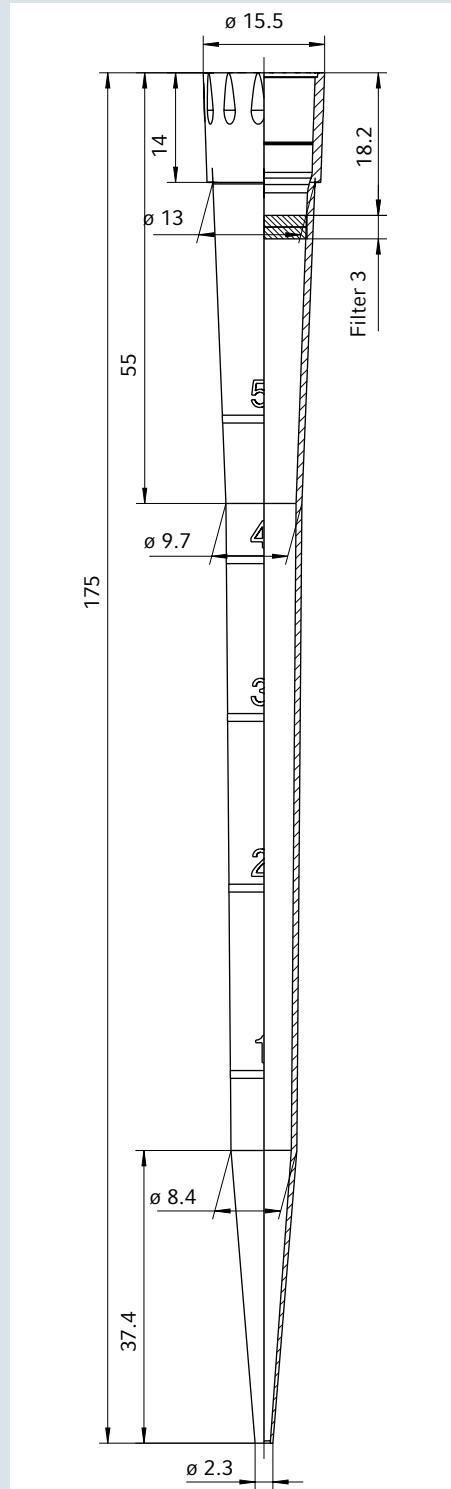
## B Dimensional drawings of epT.I.P.S. 5 mL and epT.I.P.S 5 mL L

In the case a vessel has to be used which is not listed in these tables you may estimate the compatibility of the 5 mL L tips by the following dimensional drawing. Shown are the outer diameters in [mm]. The drawings depict real tip dimensions. In case of doubt of vessel compatibility place vessel on drawing.

### 1. epT.I.P.S. 5 mL



### 2. epT.I.P.S. 5 mL L



**Your local distributor: [www.eppendorf.com/contact](http://www.eppendorf.com/contact)**  
Eppendorf AG · Barkhausenweg 1 · 22339 Hamburg · Germany  
[eppendorf@eppendorf.com](mailto:eppendorf@eppendorf.com) · [www.eppendorf.com](http://www.eppendorf.com)

[www.eppendorf.com](http://www.eppendorf.com)

Eppendorf®, the Eppendorf Brand Design, Eppendorf Tubes® and epT.I.P.S.® are registered trademarks of Eppendorf AG, Germany.  
All rights reserved, including graphics and images. Copyright © 2019 by Eppendorf AG, Germany