

Installation guide

Adapter for microscope Zeiss® Axio Observer/Axiovert® 200
English (EN)

These mounting instructions are a supplement to the operating manuals for the micromanipulators and are not a substitute, so also read the operating manuals before using the adapter for the first time. The current versions of the operating manuals can be found on the Internet at www.eppendorf.com.

1 Installation

Adapter for mounting a micromanipulator to a microscope.

Adapter Zeiss® 1 for Zeiss® microscope models:

- Axio Observer 3, 5, 7
- Axio Observer A1, D1, Z1
- Axiovert® 200

For Eppendorf micromanipulators:

- TransferMan® 4r
- TransferMan® 4m
- InjectMan® 4

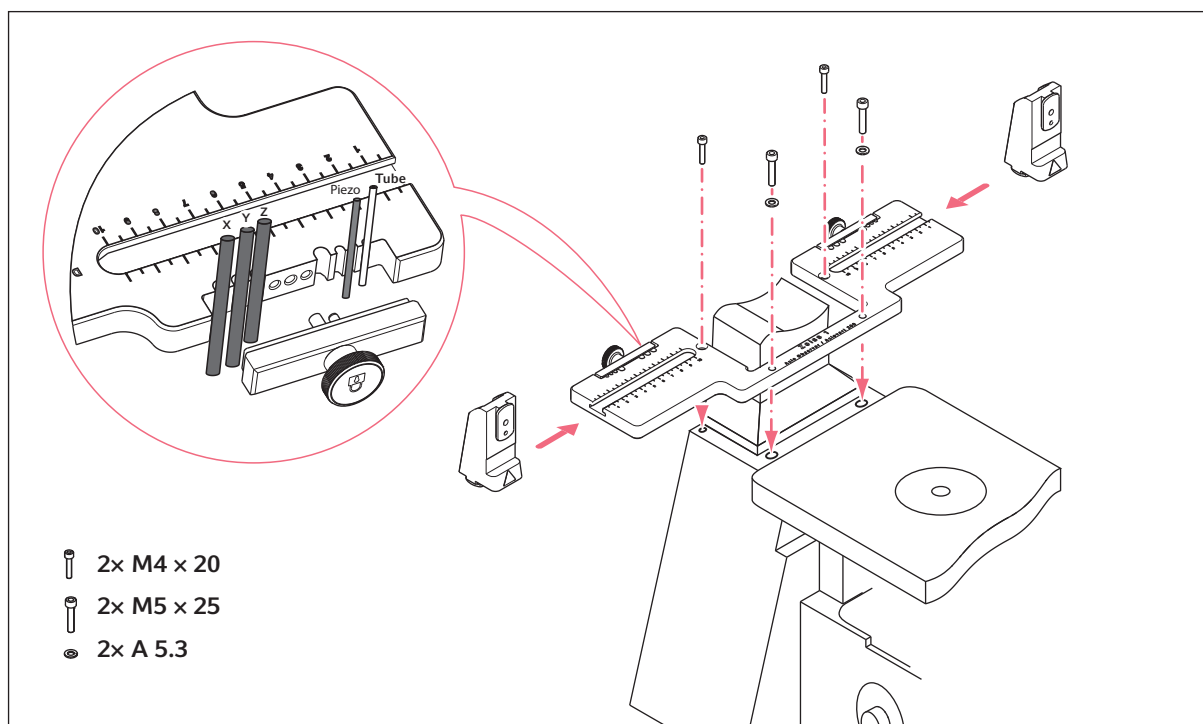


Fig. 1: Assembly overview and delivery package

Installation guide

Adapter for microscope Zeiss® Axio Observer/Axiovert® 200
English (EN)

2 Example parameter for installation

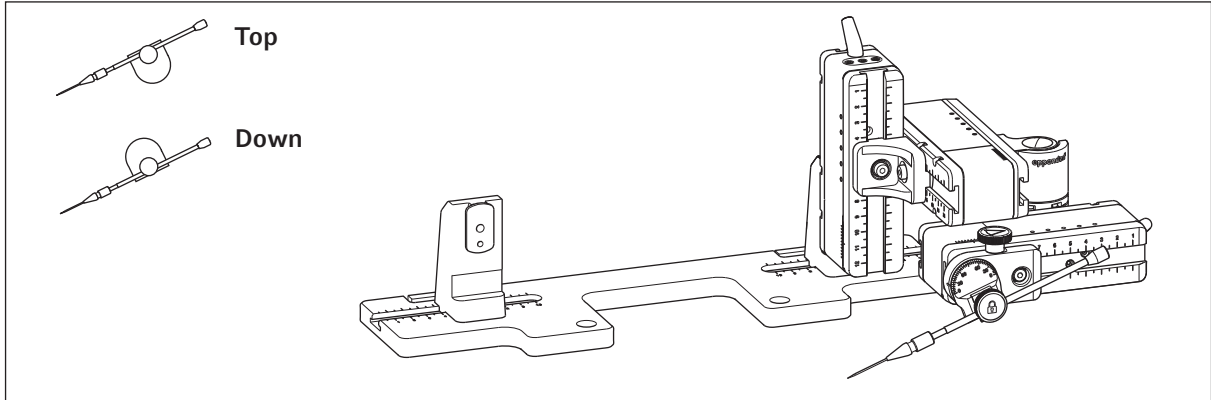


Fig. 2: Overview adapter plate with right side mounted motor modules

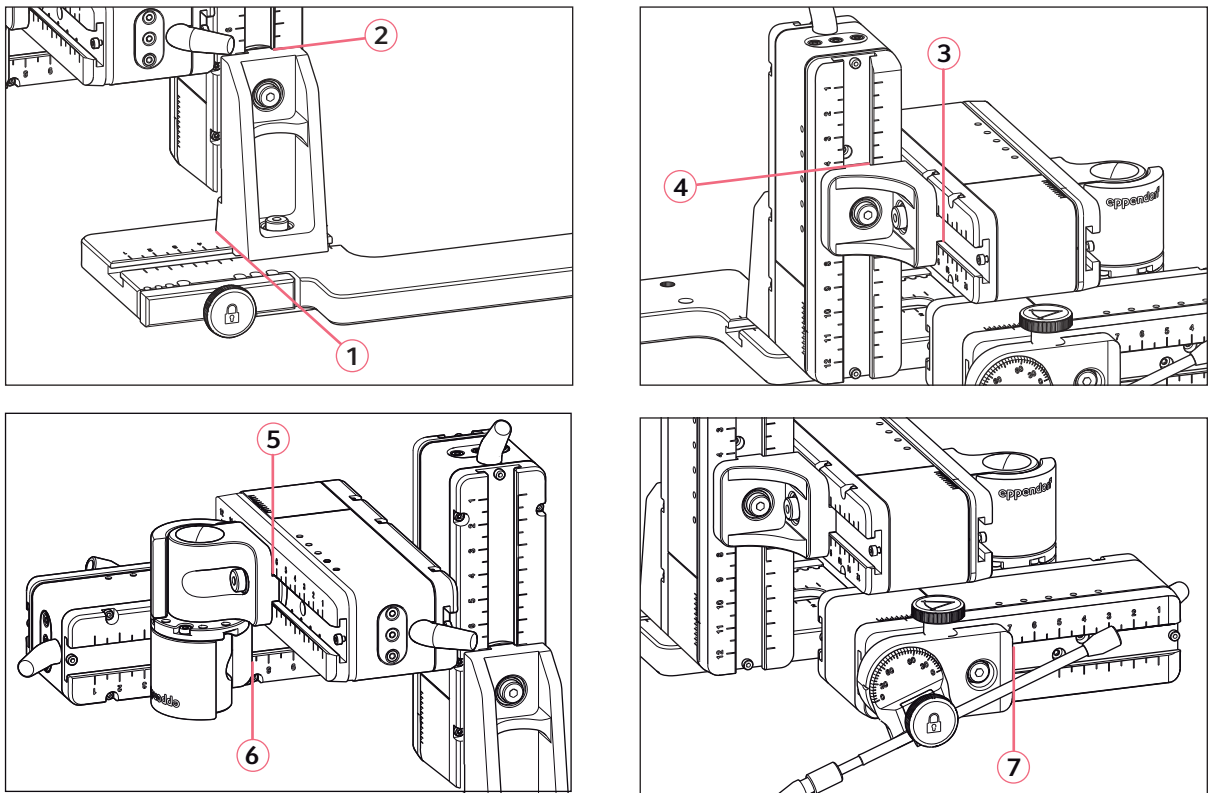


Fig. 3: Adjusting motor modules using example position parameters of table 1

Tab. 1: Example position parameters for different mounting angles

Position holder	Angle	1 [cm]	2 [cm]	3 [cm]	4 [cm]	5 [cm]	6 [cm]	7 [cm]
Down	10°	6.7	7.0	7.2	5.7	4.8	4.5	7.6
Down	25°	6.7	7.0	7.2	4.0	4.8	4.5	9.8
Top	25°	6.7	7.0	7.2	5.6	4.8	5.3	7.3
Top	35°	6.7	7.0	7.2	5.6	4.8	5.3	9.8
Top	45°	6.7	7.0	7.2	4.0	4.8	5.8	9.8

3 Ordering information

Order no. (International)	Order no. (North America)	Description
5192 311.006	5192311006	Adapter for microscope Zeiss 1 AxioObserver 3, 5, 7, AxioObserver A1, D1, Z1, Axiovert 200