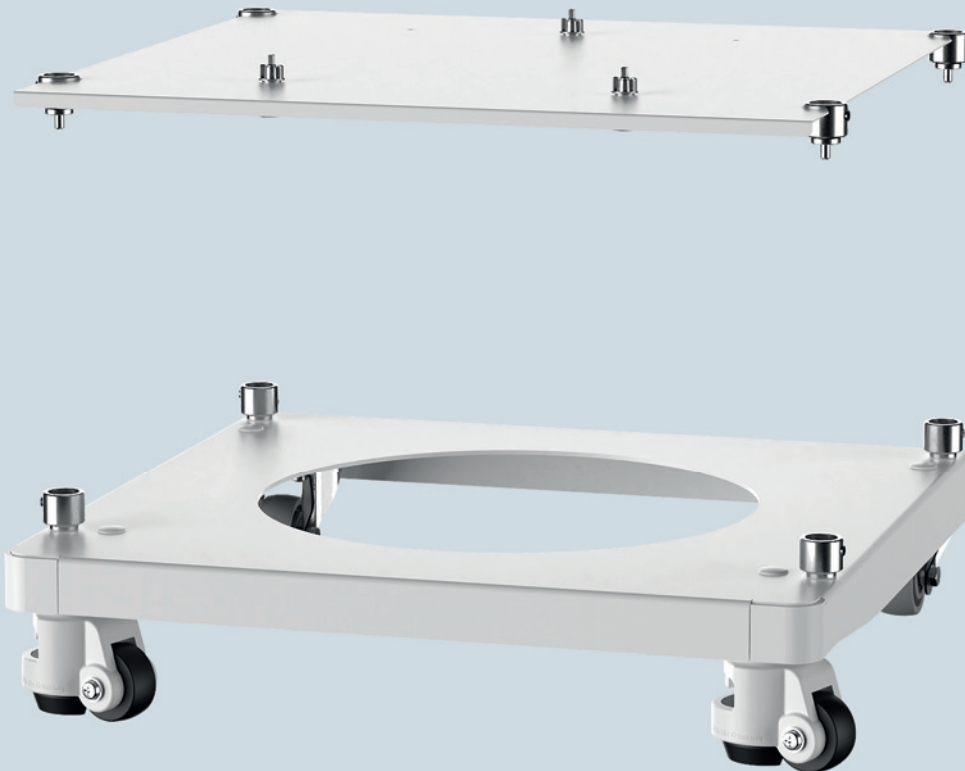


Register your instrument!
www.eppendorf.com/myeppendorf



Stacking stand for CellXpert C170 and C170i

Installation guide

Copyright © 2018 Eppendorf AG, Germany. All rights reserved, including graphics and images. No part of this publication may be reproduced without the prior permission of the copyright owner.

Eppendorf® and the Eppendorf Brand Design are registered trademarks of Eppendorf AG, Germany.

CellXpert® is a registered trademark of Eppendorf AG, Germany.

Torx® is a registered trademark of Acument Intellectual Properties, LLC, USA.

Allen® is a registered trademark of Apex Tool Group, LLC, USA.

Registered trademarks and protected trademarks are not marked in all cases with ® or ™ in this manual.

1 Operating instructions

This document is a supplement to the operating manuals for the CellXpert C170 and CellXpert C170i CO₂ incubators and does not replace them. Therefore, also read the operating manuals for the CO₂ incubators before using the device for the first time. The current version of the operating manual can be found at www.eppendorf.com/manuals in all available languages.

2 Safety

2.1 Intended use



Only device combinations described in this manual are permitted. Other combinations are not approved by Eppendorf.

Two devices of the following models can be stacked using the upper and lower stacking stands:

- CellXpert C170 and CellXpert C170
- CellXpert C170 and CellXpert C170i
- CellXpert C170i and CellXpert C170i

The stacking stand is not intended to be used for transport.

The sole use of the upper stacking stand to couple two devices is not permitted. The lower and the upper stacking stands have to be purchased separately.

Read and observe the following general safety instructions before using the stacking stand.

2.2 Warnings for intended use



WARNING! Risk of personal injury and equipment damage

- ▶ Always use the lifting handles included on the delivery package to lift the device.
- ▶ Do not lift the device at the door as this would damage the device.



WARNING! Risk of serious injury

The stacked incubators may tip over when moving them.

- ▶ Two specialists are required to move the stacked incubators.
- ▶ Do not use excessive force when moving the devices.



WARNING! Risk of personal injury and equipment damage

Insufficiently fixed device feet may fall out of the fixing bushings under load.

- ▶ Tighten the set screws.

Safety

Stacking stand for CellXpert C170 and C170i
English (EN)

**WARNING! Risk of personal injury and equipment damage**

Single devices or stacked devices on the stacking stand may tip over if not secured with the safety latch.

- ▶ Secure single devices or two stacked devices on the stacking stand to the wall with the safety latch.

**WARNING! Risk of tipping over**

Two stacked devices on the stacking stand may tip over during transport.

- ▶ Always transport the devices individually.

**WARNING! Risk of personal injury and equipment damage**

Uneven surfaces may cause the stacked devices to tip over when moving them to the intended location.

- ▶ Proceed extremely carefully when moving the stacked devices to the intended location.

**CAUTION! Risk of injury when moving the devices**

- ▶ Close the doors before moving the device.
- ▶ Keep your hands away from the corners of the device.

**CAUTION! Risk of injury**

The device has a high center of gravity.

- ▶ Ensure that the device does not tip over during transport.

**CAUTION! Heavy loads**

- ▶ Watch your hands when lowering the incubator.
- ▶ Watch your hands when inserting the device feet into the fixing bushings.

**CAUTION! Risk of injury**

- ▶ At least four persons are required to safely lift the device.
- ▶ Use a transport aid to transport the device.

**NOTICE! Damage to the device**

Lifting the device at its door will result in permanent damage to the device.

- ▶ Always use the lifting handles to lift the device.
- ▶ Do not lift the device at the door.



NOTICE! Damage to or loss of samples due to unstable device or unstable stacking stand

If the device or stacking stand is not aligned horizontally, the device or stacking stand may tilt. Samples may be damaged or lost.

- ▶ Align the device or the stacking stand horizontally.



Only device combinations described in this manual are permitted. Other combinations are not approved by Eppendorf.

Safety

Stacking stand for CellXpert C170 and C170i
English (EN)

3 Installation

3.1 Prerequisites for the location

Location

- The location of the device meets the requirements specified in the CellXpert C170 and C170i operating manuals, *Installation* and *Technical data* chapters.

Floor

- The floor in the installation area is solid, e.g., concrete.
- The floor is stable, there is no hollow space under the surface, no dents, etc.
- The floor covering is not equipped with soft foam insulation.

3.2 Installing the single device

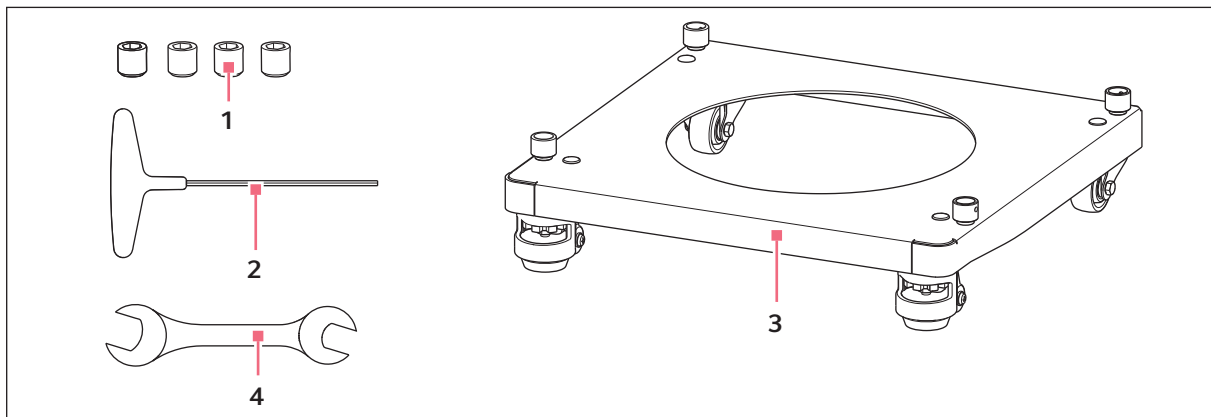


Fig. 3-1: Assembly set for the lower stacking stand

1 Set screws

4 pieces

2 Allen key

3 Lower stacking frame

4 Open-end wrench

17 mm

3.2.1 Preparing assembly

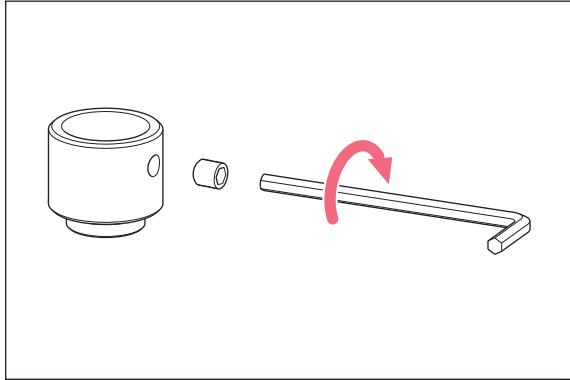
Prerequisites

The incubator and the lower stacking stand have been unpacked and acclimatized.

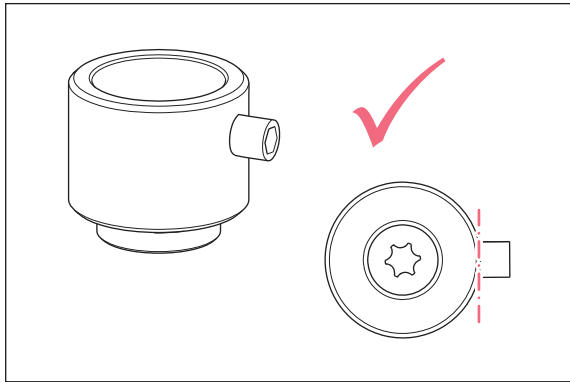
The lower stacking stand has been positioned at the intended location, see the *Prerequisites for the location* chapter in this manual and the *Installation* and *Technical data* chapters in the incubator operating manual.

Installation

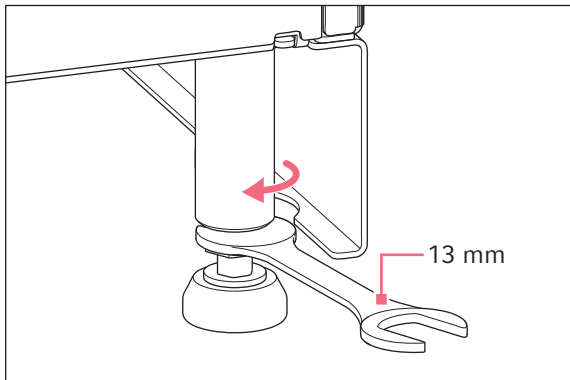
Stacking stand for CellXpert C170 and C170i
English (EN)



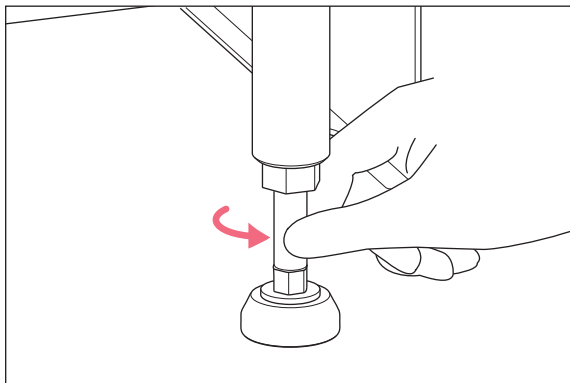
1. Screw the set screws into the fixing bushings.



2. The set screws are flush with the inside of the bushings.

3.2.2 Raising the device feet

1. Loosen the fixing nut with the open-end wrench (13 mm) by half a turn.



2. Turn the device foot by hand to raise it.
3. Tighten the fixing nut with the open-end wrench (13 mm) by half a turn.

3.2.3 Placing the incubator onto the stacking stand

Prerequisites

No anti-slipping pads are attached to the device feet.

The four lifting handles are screwed into the device.

The set screws are flush with the inside of the fixing bushings.

The set screws point to the outside.

The device feet are raised.



WARNING! Risk of personal injury and equipment damage

Insufficiently fixed device feet may fall out of the fixing bushings under load.

- ▶ Tighten the set screws.



CAUTION! Heavy loads

- ▶ Watch your hands when lowering the incubator.
- ▶ Watch your hands when inserting the device feet into the fixing bushings.



NOTICE! Damage to the device

Lifting the device at its door will result in permanent damage to the device.

- ▶ Always use the lifting handles to lift the device.
- ▶ Do not lift the device at the door.

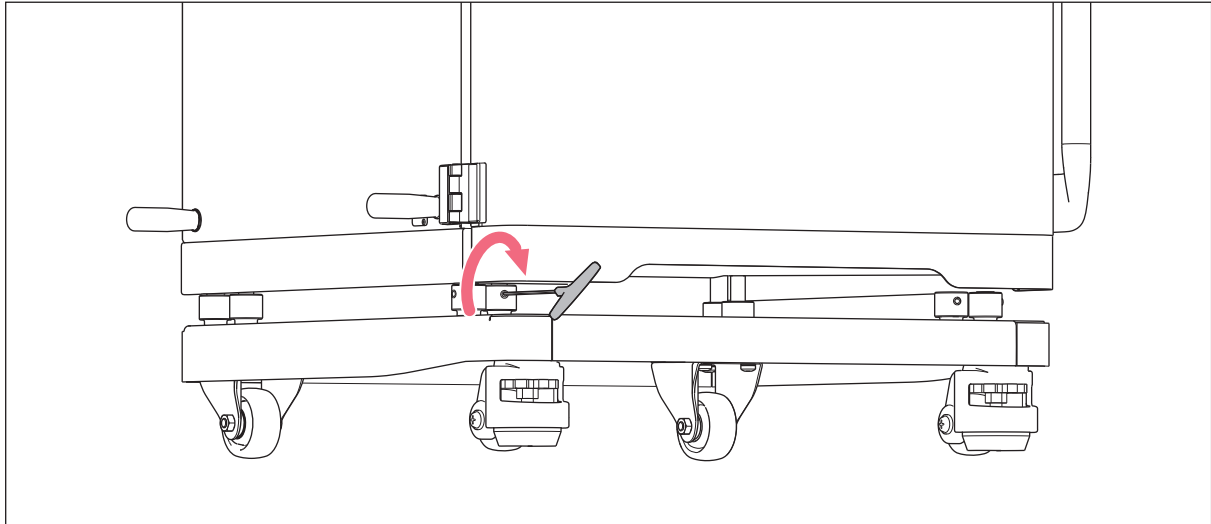


It is recommended to ask an additional person for help to position the device feet exactly above the fixing bushings.

Installation

Stacking stand for CellXpert C170 and C170i
English (EN)

1. Lift the incubator above the lower stacking stand with at least four persons.
2. Insert the device feet of the incubator into the fixing bushings.
3. Tighten the set screws at the four fixing bushings.



4. Remove the four lifting handles.
5. Insert the cover caps into the open threads on the incubator.

3.3 Fixing the single device to the wall



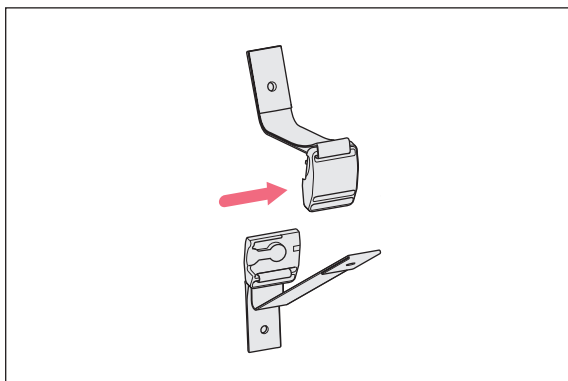
WARNING! Risk of personal injury and equipment damage

Single devices or stacked devices on the stacking stand may tip over if not secured with the safety latch.

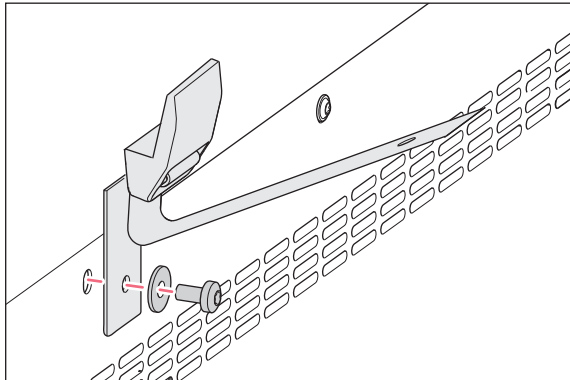
- ▶ Secure single devices or two stacked devices on the stacking stand to the wall with the safety latch.

Auxiliary equipment

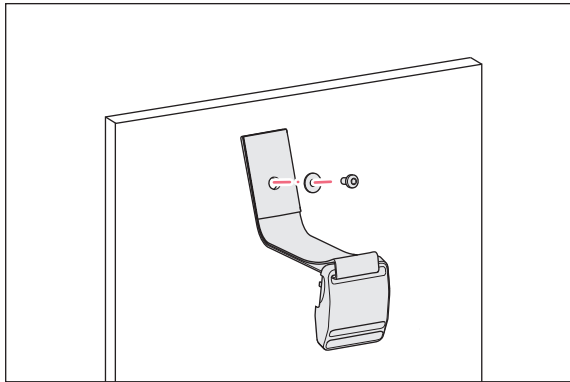
- Safety fastening kit (article number 6710 070.235)



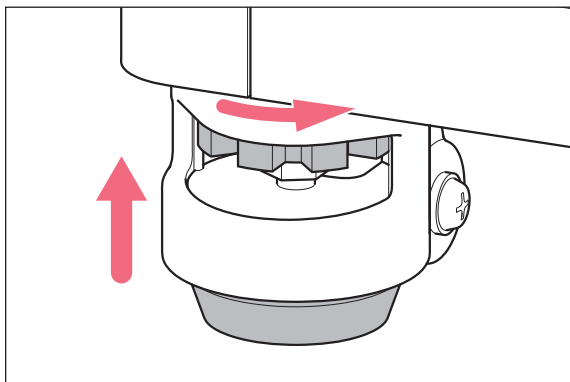
1. Release the magnetic closure of the safety latch by sliding the two parts apart sideways.



2. Mount the lower part of the safety latch to the top rear of the incubator using a flat washer and a Torx screw (M4x8, Torx 20).



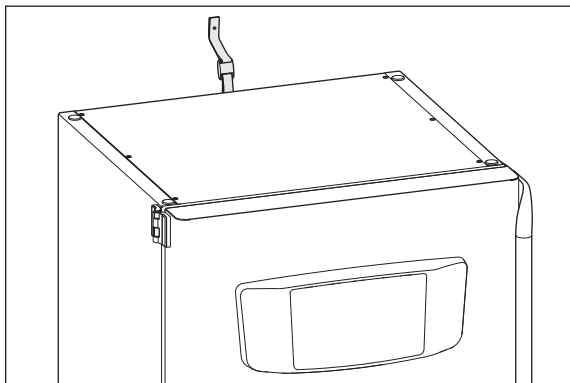
3. Mount the other part of the safety latch to the wall using a flat washer. The pull-out resistance of the screw has to be at least 250 N (25 kg).



4. Bring the stabilizing feet of the lower stacking stand into the highest position. The wheels of the castors move freely.
5. Position the incubator in the intended location.

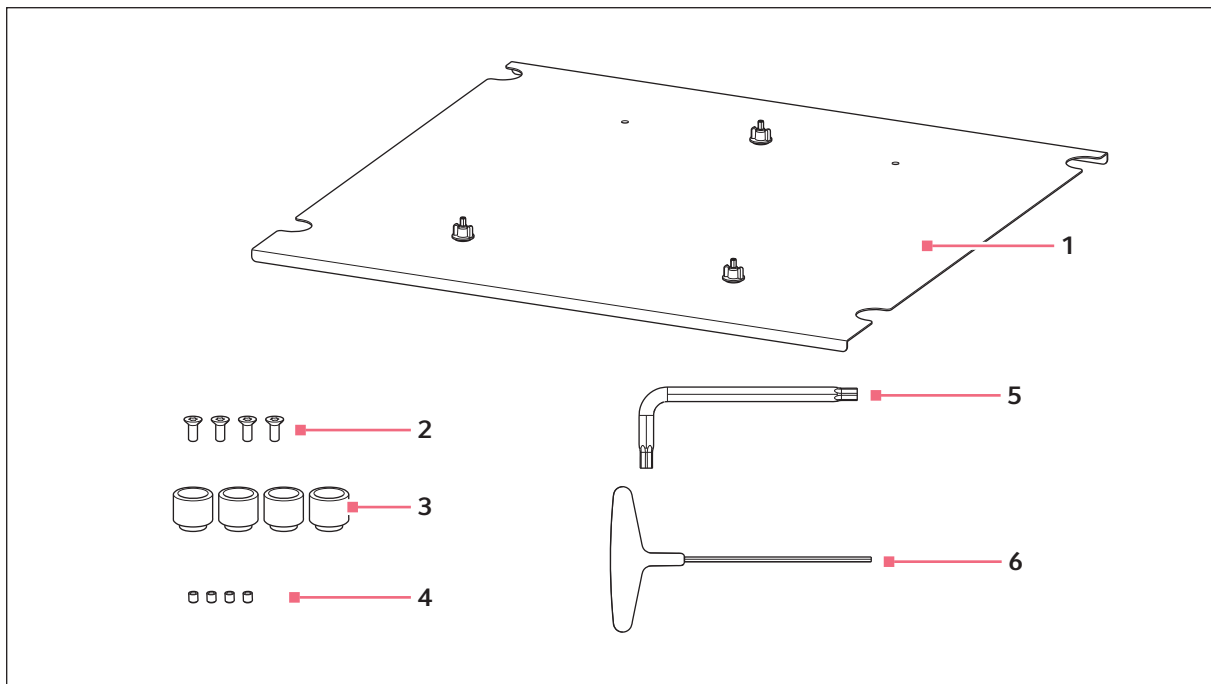
Installation

Stacking stand for CellXpert C170 and C170i
English (EN)



6. Close the magnetic closure of the safety latch.
7. Tighten the safety latch. Do not overtighten.

3.4 Stacking two devices



1 Protection plate

2 Countersunk screws, M8x16
Tx40, 4 pieces

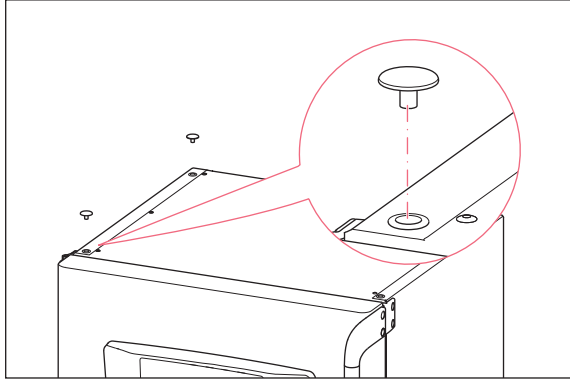
3 Fixing bushings
4 pieces

4 Set screws
4 pieces

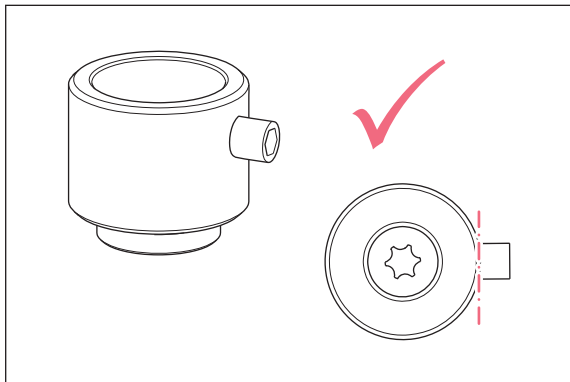
5 Offset Torx screwdriver
Tx40

6 Allen key
4 mm

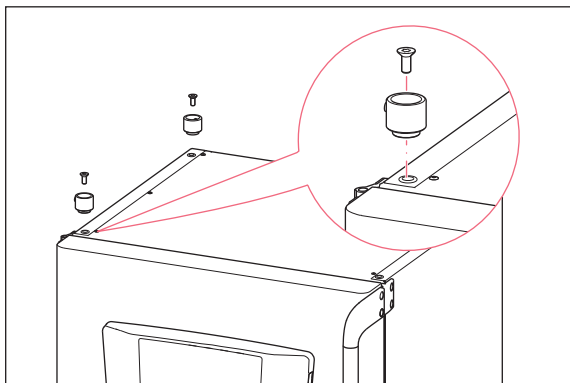
3.4.1 Preparing the lower incubator



1. Remove the four thread covers from the top of the lower incubator.



2. Screw the set screws into the fixing bushings until they are flush with the inside.



3. Screw the fixing bushings onto the top of the lower incubator with the M8x16 countersunk screws (Tx40).
The set screws point to the outside.

Installation

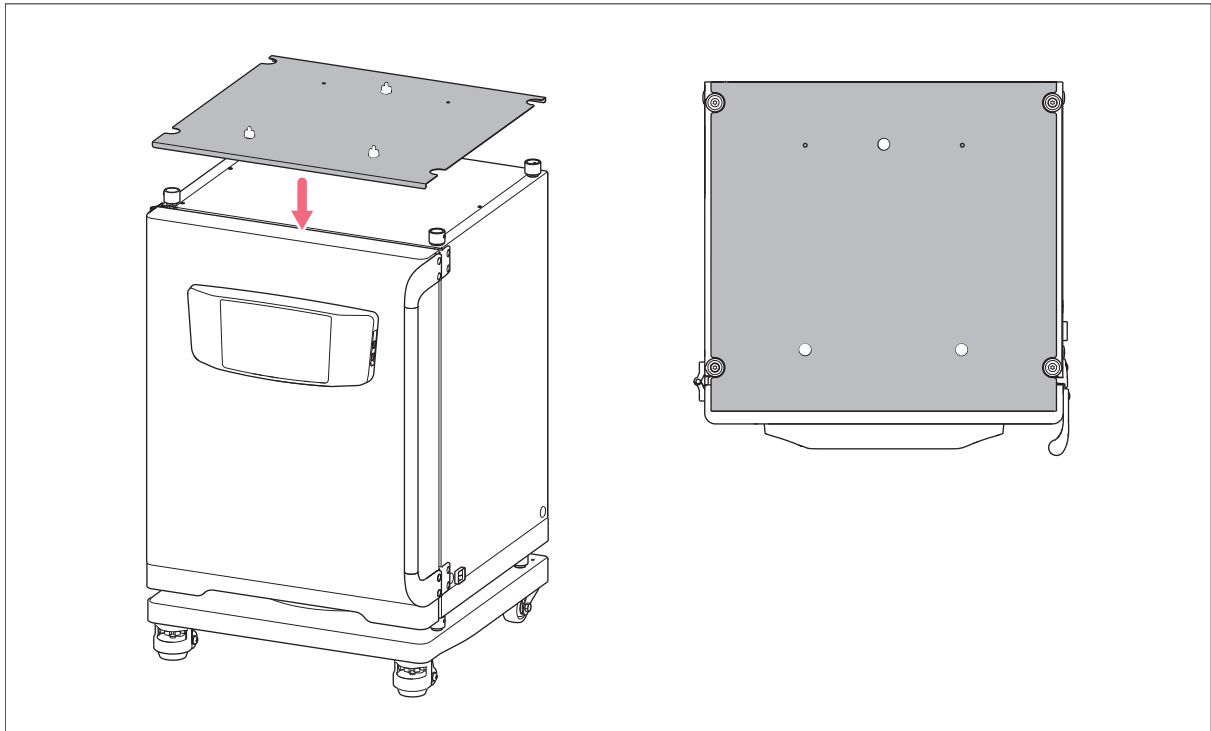
Stacking stand for CellXpert C170 and C170i
English (EN)

3.4.2 Inserting the shielding plate

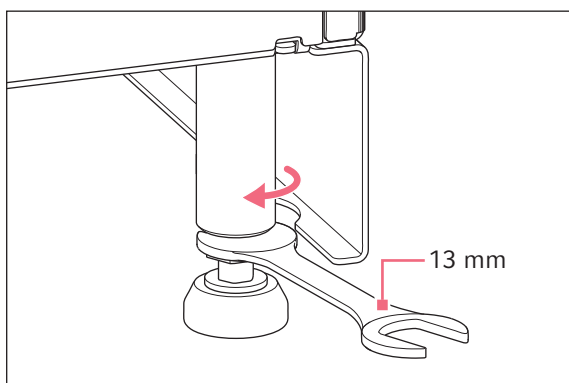
Prerequisites

The fixing bushings are mounted to the lower incubator.

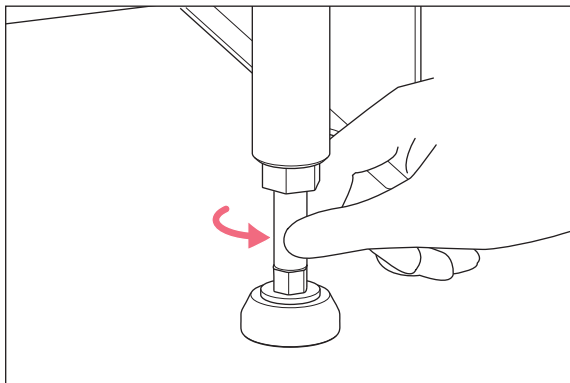
1. Place the shielding plate onto the lower incubator.



Two spacing screws are at the front.

3.4.3 Raising the device feet of the upper incubator

1. Loosen the fixing nut with the open-end wrench (13 mm) by half a turn.



2. Turn the device foot by hand to raise it.
3. Tighten the fixing nut with the open-end wrench (13 mm) by half a turn.

3.4.4 Positioning the upper incubator



WARNING! Risk of personal injury and equipment damage

Insufficiently fixed device feet may fall out of the fixing bushings under load.

- ▶ Tighten the set screws.



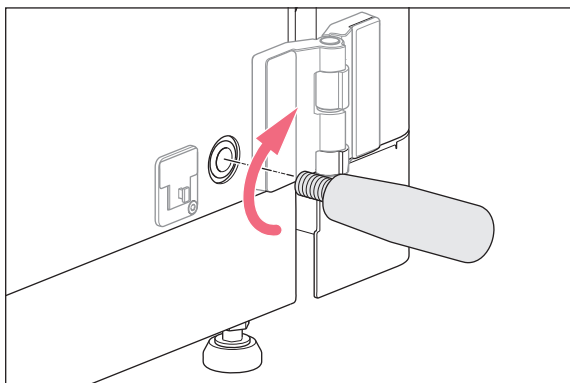
CAUTION! Risk of injury

- ▶ At least four persons are required to lift the upper incubator onto the lower incubator.
- ▶ One additional person is required to guide the spigots of the upper incubator into the fixing bushings of the lower incubator.
- ▶ Use a transport aid to transport the device.



CAUTION! Heavy loads

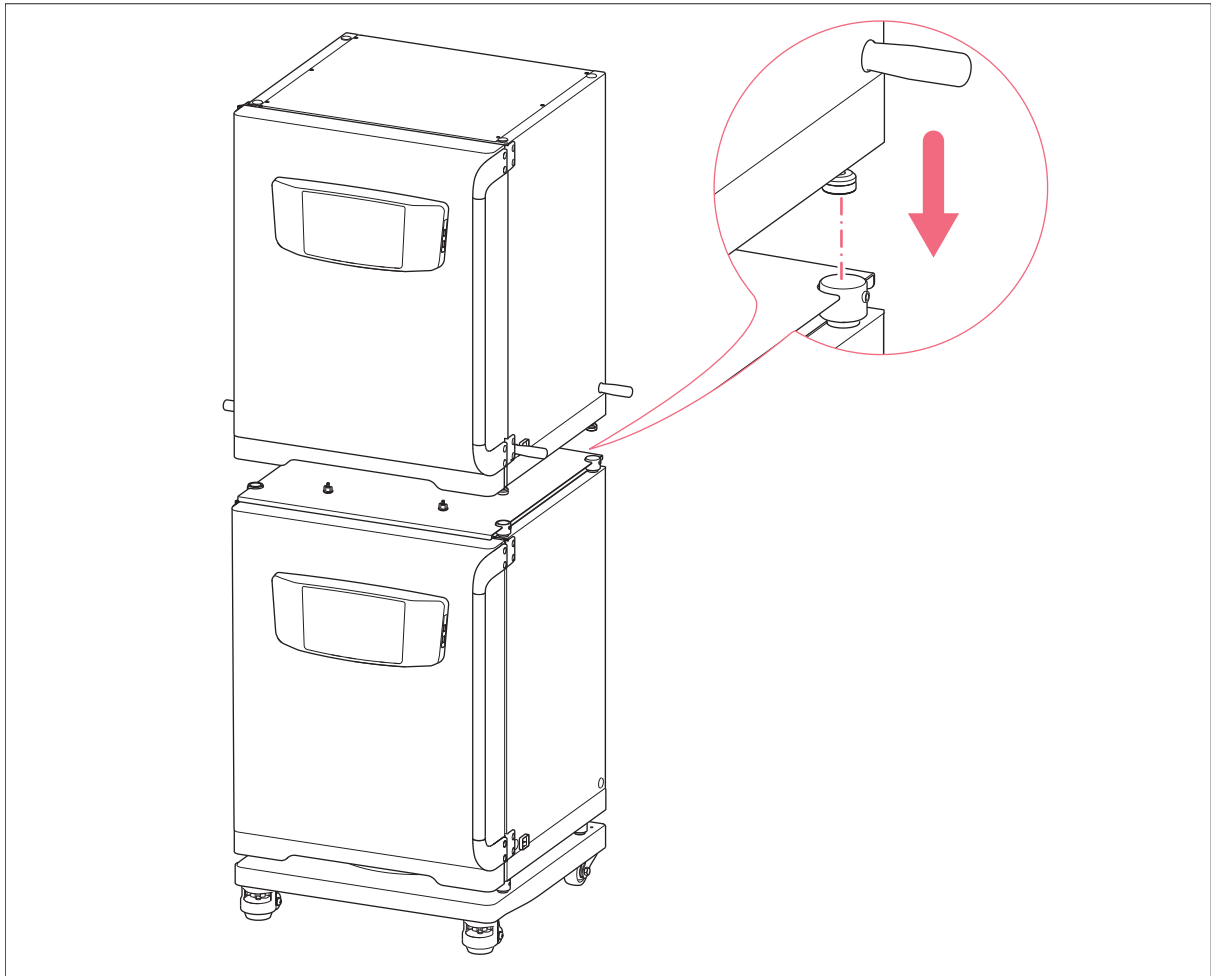
- ▶ Watch your hands when lowering the incubator.
- ▶ Watch your hands when inserting the device feet into the fixing bushings.



1. Remove the cover caps on the side of the upper incubator. Mount the lifting handles.
2. Lift the upper incubator.

Installation

Stacking stand for CellXpert C170 and C170i
English (EN)



3. Guide the device feet of the upper incubator into the fixing bushings of the lower incubator.
4. Tighten the set screws at the fixing bushings.
5. Remove the four lifting handles. Insert the cover caps into the open threads on the incubator.

3.5 Securing stacked devices on the wall

**WARNING! Risk of personal injury and equipment damage**

Single devices or stacked devices on the stacking stand may tip over if not secured with the safety latch.

- ▶ Secure single devices or two stacked devices on the stacking stand to the wall with the safety latch.



WARNING! Risk of serious injury

The stacked incubators may tip over when moving them.

- ▶ Two specialists are required to move the stacked incubators.
- ▶ Do not use excessive force when moving the devices.

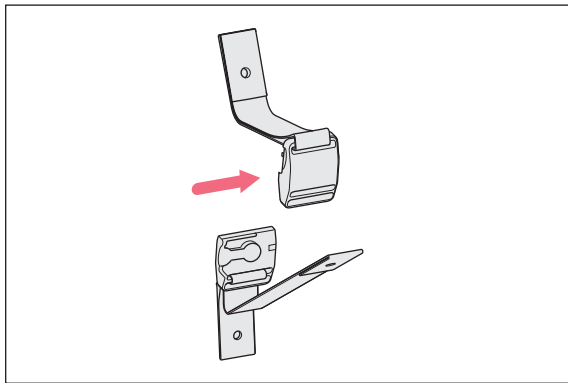


CAUTION! Risk of injury when moving the devices

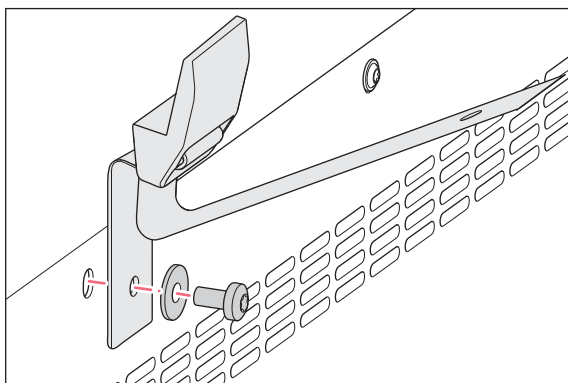
- ▶ Close the doors before moving the device.
- ▶ Keep your hands away from the corners of the device.

Auxiliary equipment

- Safety fastening kit (article number 6710 070.235)



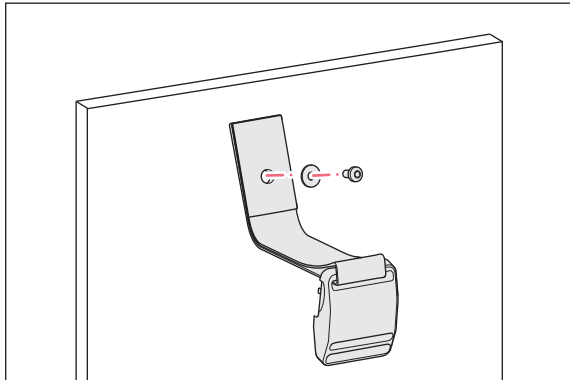
1. Release the magnetic closure of the safety latch by sliding the two parts apart sideways.



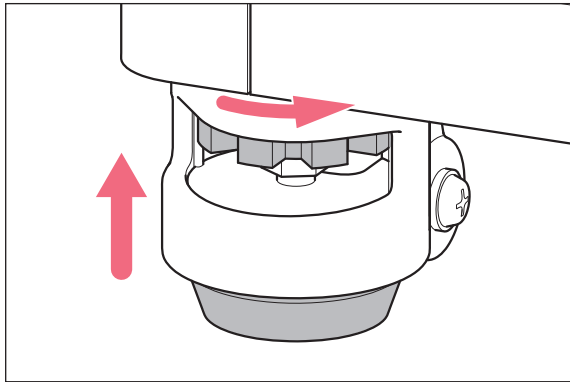
2. Mount the lower part of the safety latch to the top rear of the upper incubator using a flat washer and a Torx screw (M4x8, Torx 20).

Installation

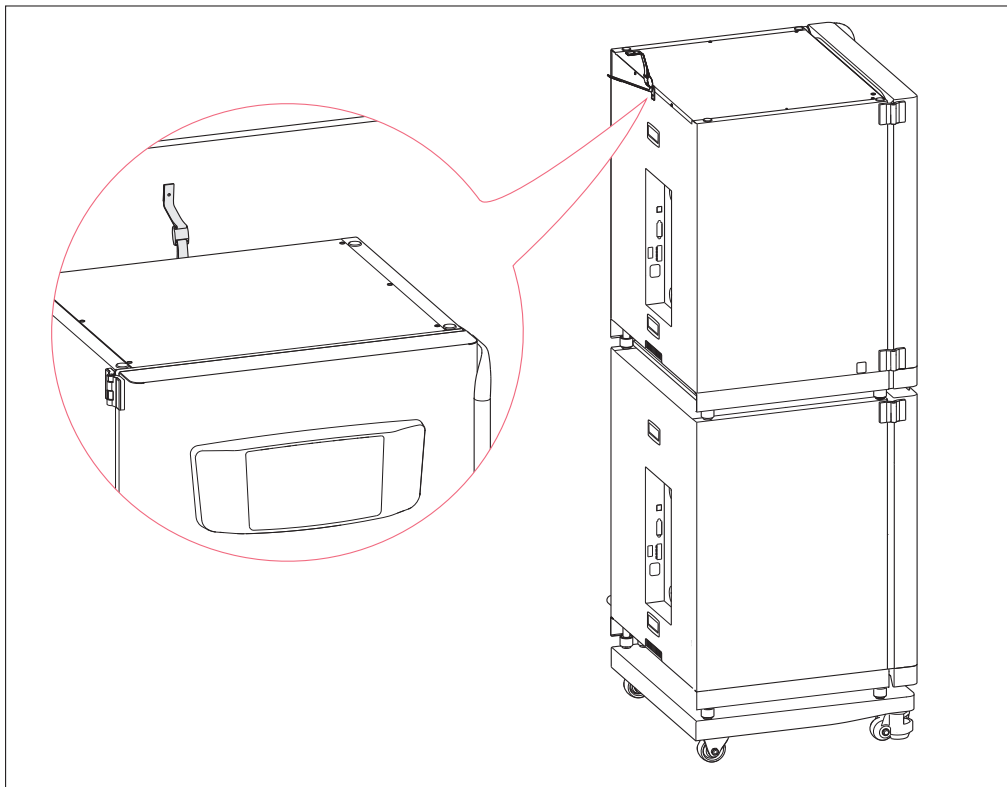
Stacking stand for CellXpert C170 and C170i
English (EN)



3. Mount the other part of the safety latch to the wall using a flat washer. The pull-out resistance of the screw has to be at least 250 N (25 kg).



4. Bring the stabilizing feet of the lower stacking stand into the highest position. The wheels of the castors move freely.



5. Position the stacked incubators in the intended location.
6. Close the magnetic closure of the safety latch.
7. Tighten the safety latch. Do not overtighten.

3.6 Mounting an additional shielding plate

Auxiliary equipment

- Ladder or step stool

An additional shielding plate can be mounted on top of the upper incubator, e.g., to block the airflow of an air conditioning system. The shielding plate reduces the number of external thermal disturbances and potential condensation.

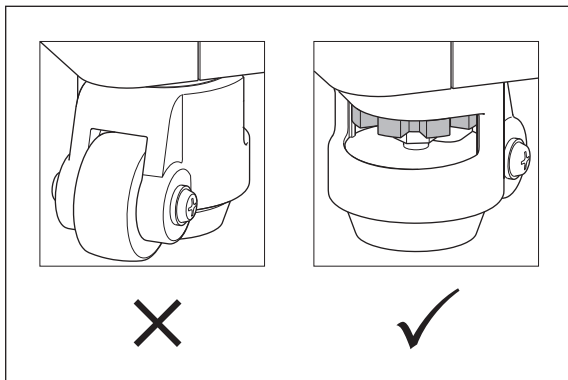
1. Screw the fixing bushings to the top of the upper incubator with the screws (M6x25).
2. Place the upper stacking frame on top of the upper incubator.
3. Ensure that the fixing bushings go into the bores in the stacking stand.

3.7 Aligning incubators horizontally



NOTICE! Damage to or loss of samples due to unstable device or unstable stacking stand
If the device or stacking stand is not aligned horizontally, the device or stacking stand may tilt. Samples may be damaged or lost.

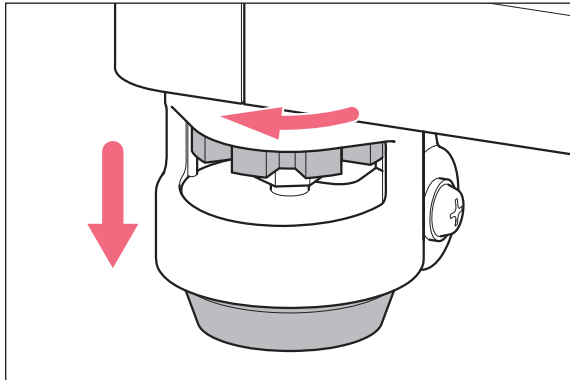
- ▶ Align the device or the stacking stand horizontally.



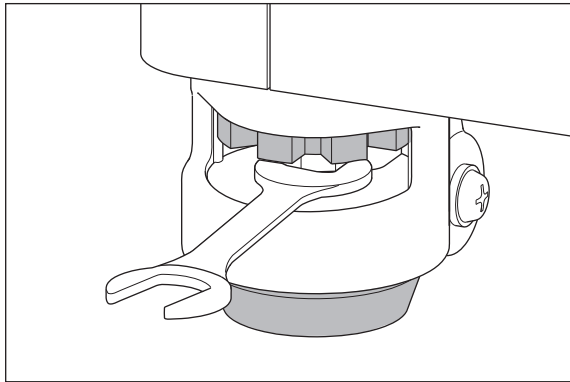
1. Turn the castors of the lower stacking stand to the rear.
2. Insert the shelf rack, the shelves and the water tray into the incubator.
3. Align the spirit level from left to right on one of the shelves.

Installation

Stacking stand for CellXpert C170 and C170i
English (EN)



4. Turn the red wheels of the adjustable stabilizing feet to the left until the stabilizing feet touch the floor.



5. Use the open-end wrench to adjust the stabilizing feet until the incubator is aligned horizontally.
6. Align the ends of the spirit level to the front and rear.
7. Use the open-end wrench to adjust the stabilizing feet until the incubator is aligned horizontally.
8. Place the spirit level on one of the other shelves and check whether it is horizontal. If necessary, re-adjust the stabilizing feet.

4 Ordering options

Article number	Description
6731 070.093	Lower stacking stand with castors
6731 070.085	Upper stacking stand only if using the lower stacking stand
6710 070.235	Safety fastening kit

Ordering options

Stacking stand for CellXpert C170 and C170i
English (EN)

Evaluate Your Manual

Give us your feedback.

www.eppendorf.com/manualfeedback

Your local distributor: www.eppendorf.com/contact

Eppendorf AG · Barkhausenweg 1 · 22339 Hamburg · Germany
eppendorf@eppendorf.com · www.eppendorf.com