

Installation guide

Adapter for microscope Olympus® IX3 Series – IX3-ILL
English (EN)

These mounting instructions are a supplement to the operating manuals for the micromanipulators and are not a substitute, so also read the operating manuals before using the adapter for the first time. The current versions of the operating manuals can be found on the Internet at www.eppendorf.com.

1 Installation

Adapter for mounting a micromanipulator to a microscope.

Adapter Olympus® 2 for Olympus® microscope models with illumination column IX3-ILL:

- IX53
- IX73
- IX83

For Eppendorf micromanipulators:

- TransferMan® 4r
- TransferMan® 4m
- InjectMan® 4

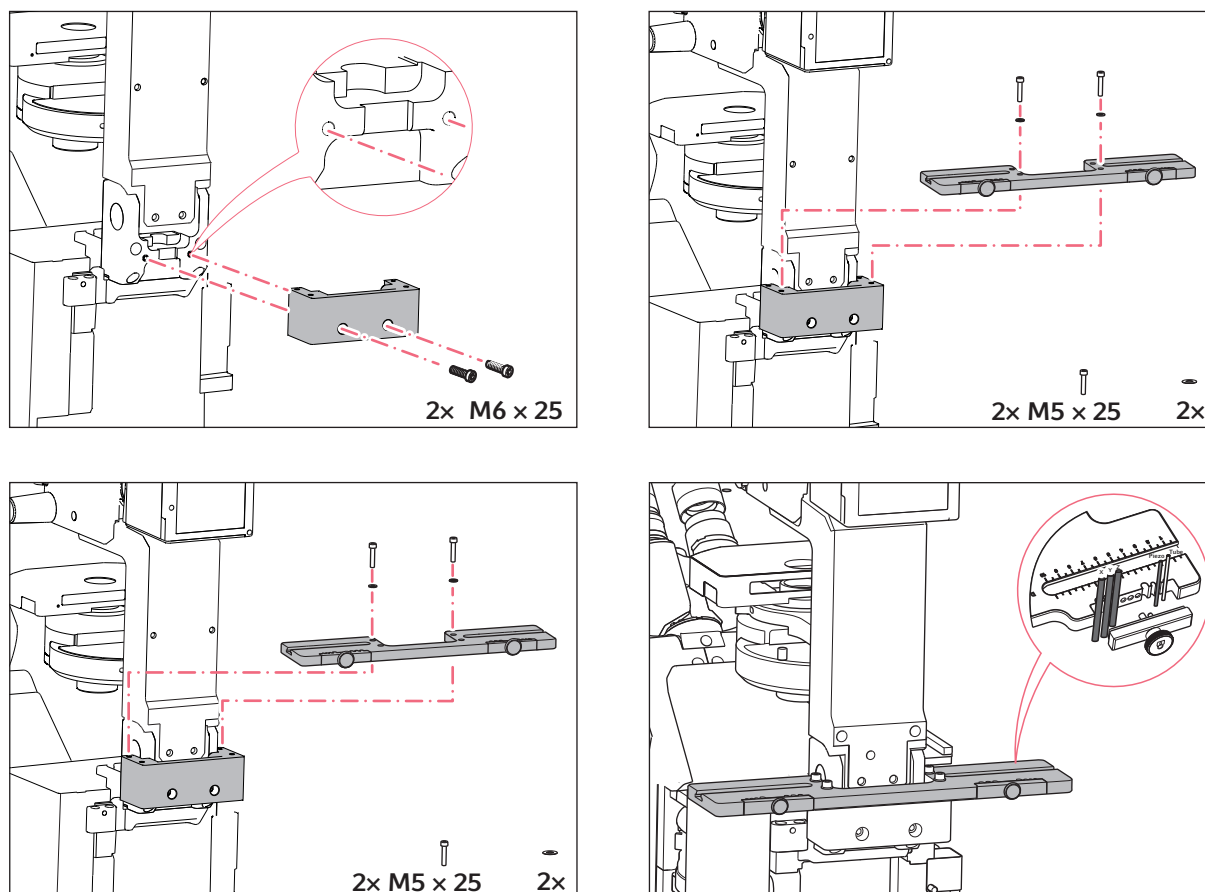


Fig. 1: Assembly overview and delivery package

Installation guide

Adapter for microscope Olympus® IX3 Series – IX3-ILL
English (EN)

2 Example parameter for installation

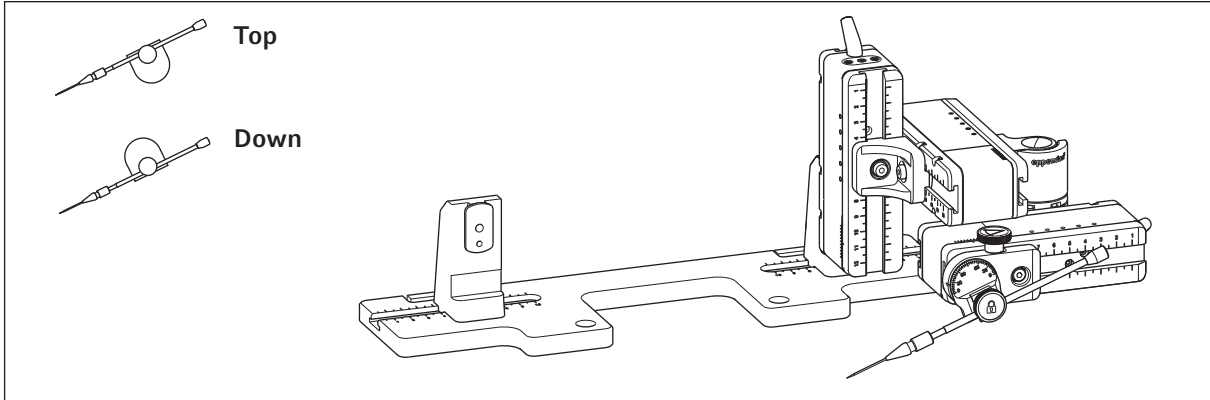


Fig. 2: Overview adapter plate with right side mounted motor modules

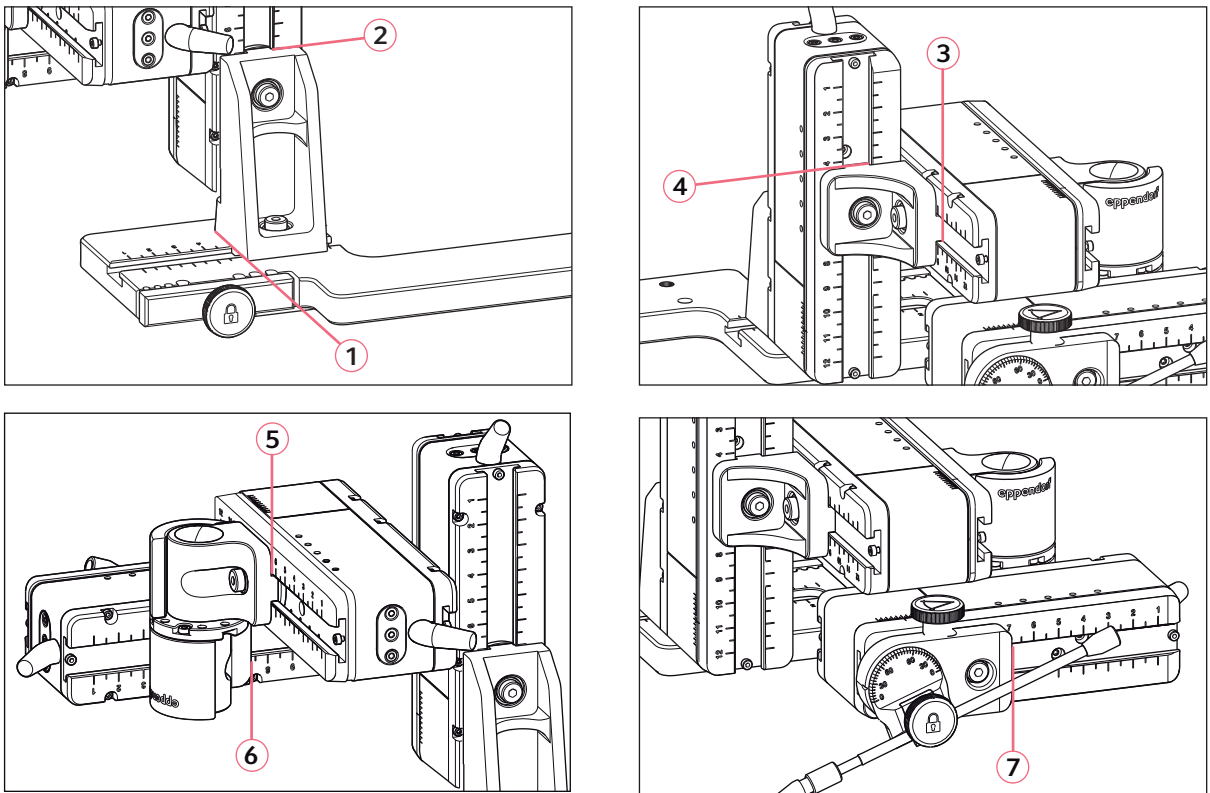


Fig. 3: Adjusting motor modules using example position parameters of table 1

Tab. 1: Example position parameters for different mounting angles

Position holder	Angle	1 [cm]	2 [cm]	3 [cm]	4 [cm]	5 [cm]	6 [cm]	7 [cm]
Down	10°*	6.8	7.0	9.4	4.0	6.8	7.3	9.0
Down	25°	6.8	7.0	9.4	2.2	6.8	7.3	9.7
Top	25°	6.8	7.0	9.4	4.5	6.8	7.3	7.3
Top	35°	6.8	7.0	9.4	4.0	6.8	7.3	8.5
Top	45°	6.8	7.0	9.4	2.8	6.8	7.3	9.6
*	Left side installation is recommended for microscope stage IX3 SVR							

3 Ordering information

Order no. (International)	Order no. (North America)	Description
5192 307.009	5192307009	Adapter for microscope Olympus 2 IX53 IX3-ILL, IX73 IX3-ILL, IX83 IX3-ILL