

Installation Guide

Adapter for microscope Nikon® Eclipse® Ti2-U / Ti2-A / Ti2-E
English (EN)

These mounting instructions are a supplement to the operating manuals for the micromanipulators and are not a substitute, so also read the operating manuals before using the adapter for the first time. The current versions of the operating manuals can be found on the Internet at www.eppendorf.com.

1 Overview

Adapter for mounting a micromanipulator on a microscope.

Adapter Nikon® 3 for Nikon® microscope models:

- Eclipse® Ti2-U / Ti2-A / Ti2-E

For Eppendorf micromanipulators:

- TransferMan® 4r
- TransferMan® 4m
- InjectMan® 4

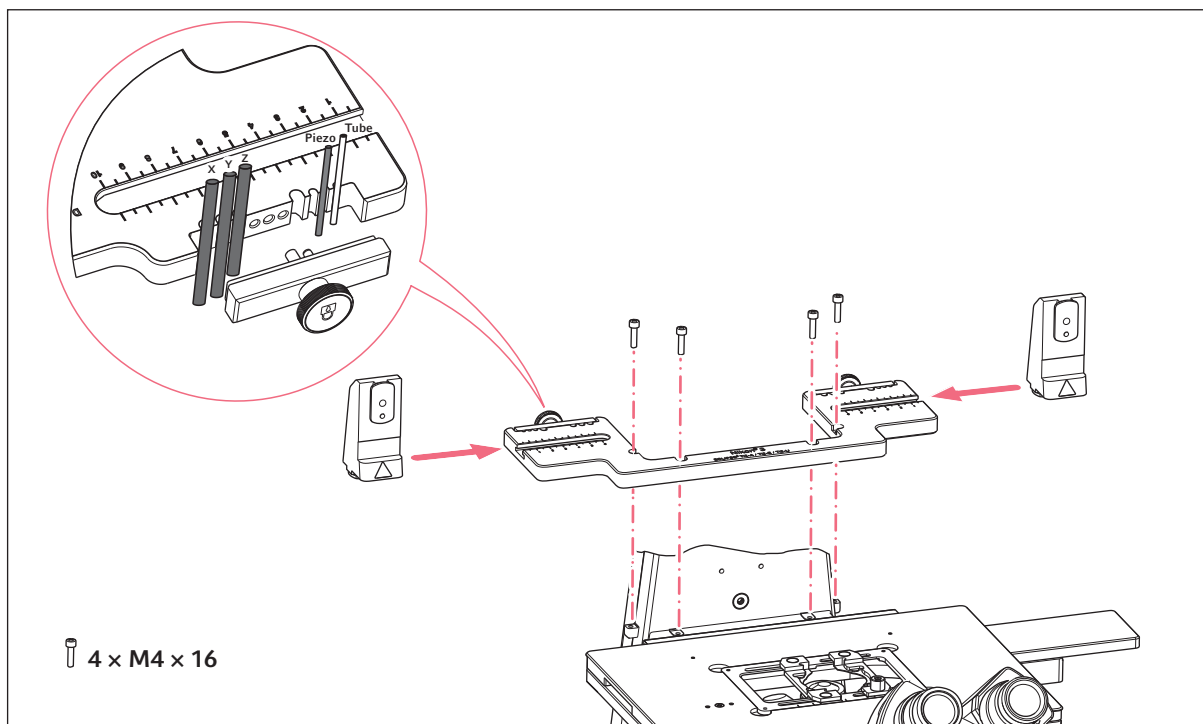


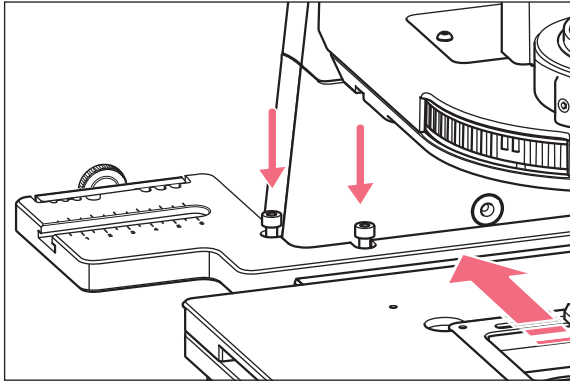
Fig. 1: Assembly overview and delivery package

Installation Guide

Adapter for microscope Nikon® Eclipse® Ti2-U / Ti2-A / Ti2-E
English (EN)

2 Installation

2.1 Mounting the adapter plate



1. Place the adapter plate on the microscope from the front.
2. Insert the screws into the adapter plate and tighten them loosely.
3. Align the adapter plate parallel to the illumination column.
4. Tighten the screws using a 3 mm Allen key.

3 Example parameter for installation

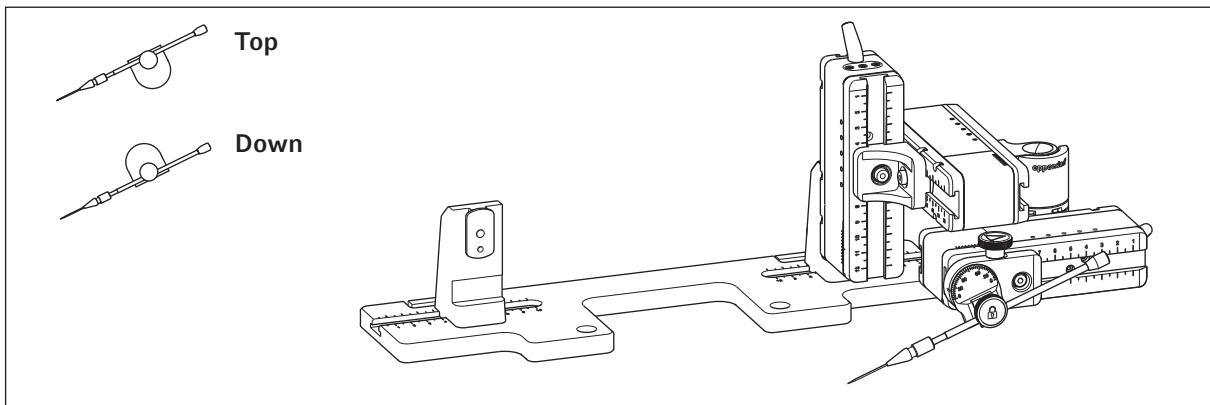


Fig. 2: Overview adapter plate with right side mounted motor modules

Installation Guide
 Adapter for microscope Nikon® Eclipse® Ti2-U / Ti2-A / Ti2-E
 English (EN)

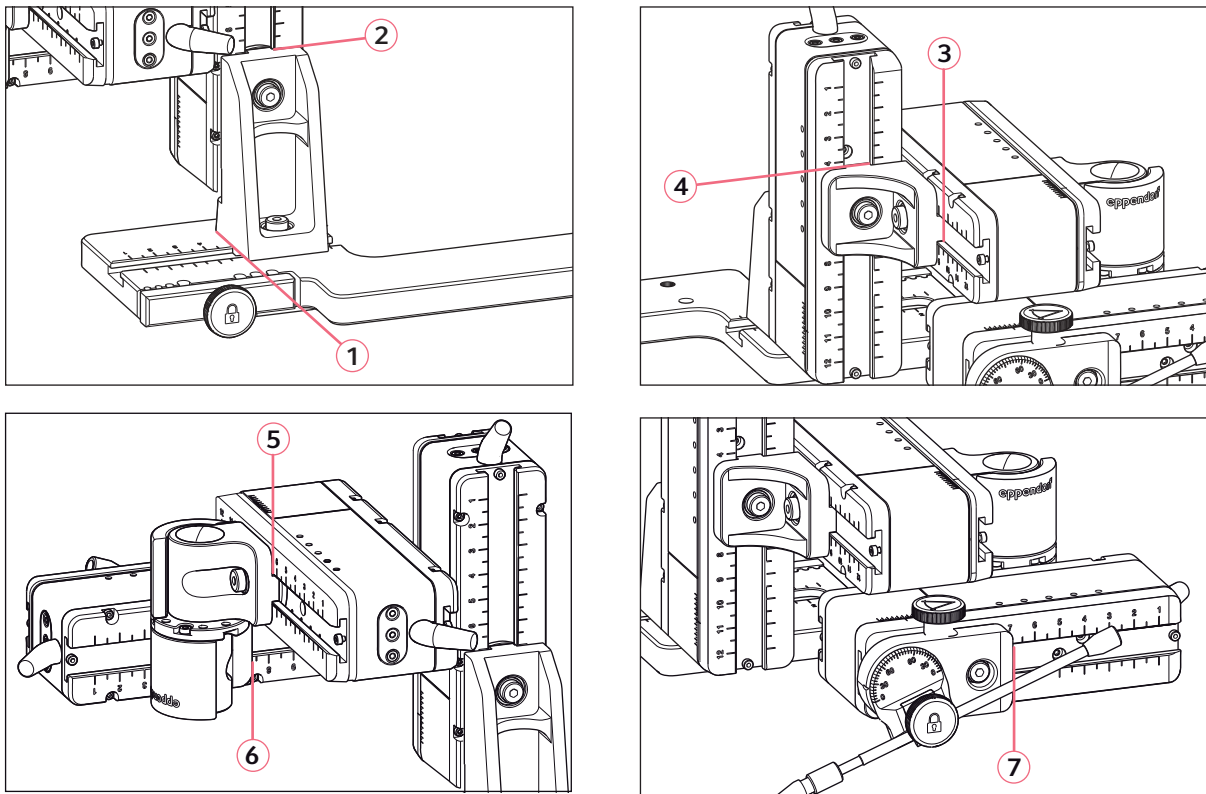


Fig. 3: Adjusting motor modules using example position parameters of table 1

Tab. 1: Example position parameters for different mounting angles

Positon holder	Angle	1 [cm]	2 [cm]	3 [cm]	4 [cm]	5 [cm]	6 [cm]	7 [cm]
Down	10°	3.2	7.0	7.0	3.9	7.2	4.5	9.0
Down	25°	3.2	7.0	7.0	2.5	7.2	3.3	9.6
Top	25°	3.2	7.0	7.0	4.4	7.2	5.8	8.2
Top	35°	3.2	7.0	7.0	4.0	7.2	4.2	9.3
Top	45°	3.2	7.0	7.0	2.2	7.2	4.2	9.3

4 Ordering information

Order no. (International)	Order no. (North America)	Description
5192 318.000	5192318000	Adapter for microscope Nikon 3 Eclipse Ti2-U, Ti2-A, Ti2-E

Your local distributor: www.eppendorf.com/contact
 Eppendorf SE · Barkhausenweg 1 · 22339 Hamburg · Germany
eppendorf@eppendorf.com · www.eppendorf.com