

Instructions for use

Eppendorf microcapillaries

English (EN)

This document is a supplement to the operating manual of the microinjector and does not replace it. Before installing the microcapillary, read the operating manual of the microinjector. The current version can be found on the Internet under www.eppendorf.com.

1 Intended use

With the Eppendorf microcapillaries, cells or cell particles can be aspirated, held, transferred or injected in the application areas of micromanipulation, microinjection or biopsy. The microcapillaries may only be used for research and training purposes, e.g., in the fields of life sciences, cell biology or industry. The use for diagnostic, medical or therapeutic purposes is **not** permitted.

The microcapillaries are intended for single use. The microcapillaries are intended exclusively for indoor use and for operation by trained and skilled personnel.

2 Features

The microcapillaries are made of glass. The respective area of application results from the specification of the sample and the microcapillary.

Microcapillary	Application
Biopsy Tip I	Aspiration or extraction of cells or cell particles.
Biopsy Tip II	
Piezo Drill Tip ICSI	Piezo-assisted transfer and injection of embryonic stem cells (ES), mouse sperm or cells of a corresponding size.
Piezo Drill Tip ES	
TransferTip® ES	Transfer and injection of embryonic stem cells (ES) or cells of a corresponding size.
TransferTip® F (ICSI)	Collection, transfer and injection of sperm.
TransferTip® R (ICSI)	
TransferTip® RP (ICSI)	
VacuTip I	Holding of oocytes or blastocysts.
VacuTip II	

3 Safety instructions



CAUTION! Risk of cuts from broken capillaries.

Capillaries are made of glass. They are very sharp and fragile.

- ▶ Wear your personal protective equipment (PPE).
- ▶ Always mount capillaries depressurized.
- ▶ Never aim capillaries at people.
- ▶ Handle the capillaries very carefully.

Instructions for use

2 Eppendorf microcapillaries English (EN)

- Check the packaging for damage.
- Do not use capillaries if the packaging is damaged.
- Only use capillaries as described here.
- Only trained personnel may use the capillaries.
- Mount capillaries carefully.

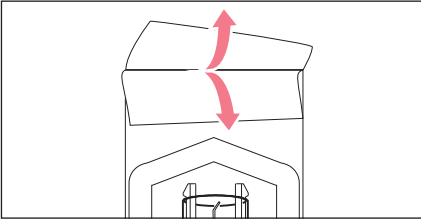
4 Removing the capillary



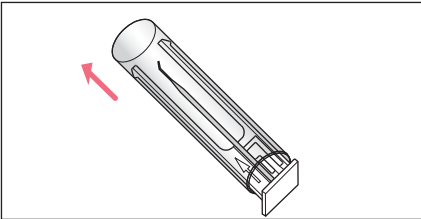
CAUTION! Risk of cuts when unpacking the capillaries

Capillaries can break as a result of incorrect unpacking.

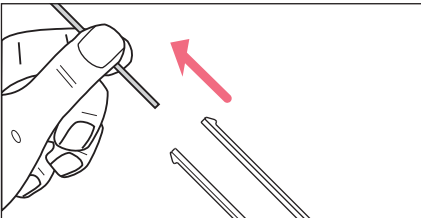
- ▶ Do not reach into the capillary transport protection.



1. Pull the foil apart.
2. Remove the capillary safe with protection tube.

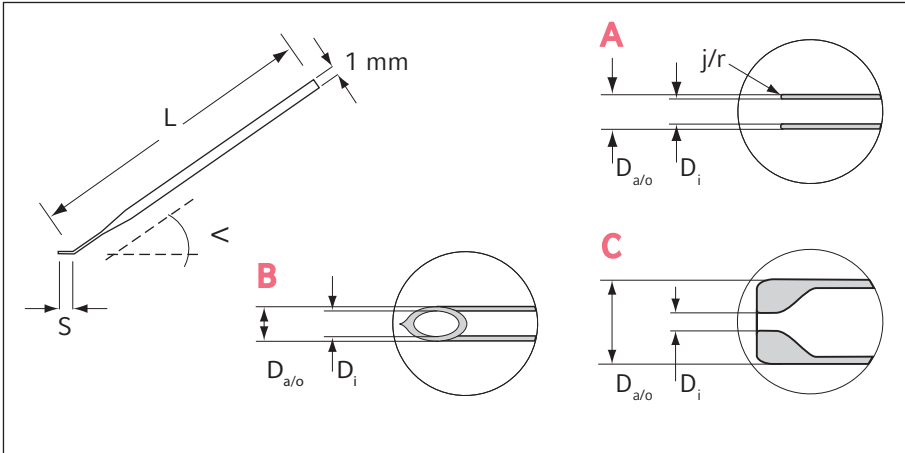


3. Remove the protection tube from the capillary safe.



4. Hold the capillary in the middle and pull it out of the capillary safe.
The capillary can be inserted into the capillary holder.
The installation of the capillary is described in the operating manual of the micromanipulator or the microinjector.

5 Technical data



L	Length	$D_{a/o}$	Outer diameter
S	Flange length	α	Flange angle
D_i	Inner diameter	j/r	Tip contour

	Image	L [mm]	α [°]	S [mm]	$D_{a/o}$ [μm]	D_i [μm]	j/r *
Biopsy Tip I	A	50 – 55	35	1.8 – 2.0	–	18 – 20	r
Biopsy Tip II	A	50 – 55	15	0.5	–	20	j
Piezo Drill Tip ES	A	50 – 55	25	6	–	15	j
Piezo Drill Tip ICSI	A	50 – 55	25	6	–	6	j
TransferTip® ES	B	55	20	1	approx. 20	15	–
TransferTip® F (ICSI)	B	55	35	0.4	approx. 7	4	–
TransferTip® R (ICSI)	B	52	35	1	approx. 7	4	–
TransferTip® RP (ICSI)	B	49	35	0.5	approx. 7	4	–
VacuTip I	C	49	35	1	100	15	–
VacuTip II	C	50 – 55	25	0.5	110	60	–

* j = tip contour broken, r = tip contour rounded

Instructions for use
Eppendorf microcapillaries
English (EN)

6 Ordering information

Order no. (International)	Order no. (North America)	Description
5195 000.052	5195000052	Biopsy Tip I 25 pieces, sterile
5195 000.060	5195000060	Biopsy Tip II 25 pieces, sterile
5195 000.087	5195000087	Piezo Drill Tip ICSI 25 pieces, sterile
5195 000.095	5195000095	Piezo Drill Tip ES 25 pieces, sterile
5195 000.001	5195000001	TransferTip F (ICSI) 25 pieces, sterile
5195 000.010	5195000010	TransferTip RP (ICSI) 25 pieces, sterile
5195 000.028	5195000028	TransferTip R (ICSI) 25 pieces, sterile
5195 000.079	5195000079	TransferTip ES 25 pieces, sterile
5195 000.036	5195000036	VacuTip I 25 pieces, sterile
5195 000.044	5195000044	VacuTip II 25 pieces, sterile