

Pipette Tips

epT.I.P.S. Motion[®] Reloads

Instructions for Use

Copyright © 2025 Eppendorf SE, Germany. All rights reserved, including graphics and images. No part of this publication may be reproduced without the prior permission of the copyright owner.

Eppendorf® and the Eppendorf Brand Design are registered trademarks of Eppendorf SE, Germany.

Eppendorf trademarks and trademarks of third parties may appear in this manual. All trademarks are the property of their respective owners. The respective trademark name, representations and listed owners can be found on www.eppendorf.com/ip.

U.S. Patents and U.S. Design Patents are listed on www.eppendorf.com/ip.

Table of contents

1	About this manual	4
1.1	Notes on this manual.....	4
1.2	Graphics.....	4
1.3	Other applicable documents.....	4
2	Safety	4
2.1	Intended use.....	4
2.2	Personal protective equipment.....	5
2.3	Residual risks when used as intended.....	5
2.3.1	Personal injury.....	5
2.3.2	Material damage.....	6
3	Product description	6
3.1	Product overview.....	6
3.2	Features.....	6
4	Application	7
5	Sterilization	7
6	Storage	7
6.1	Storing epT.I.P.S. Motion Reloads.....	7
7	Disposal	7
7.1	Disposing of consumables.....	7
8	Technical data	8
8.1	Ambient conditions.....	8
8.2	Material.....	8
9	Ordering information	8
9.1	Pipette tips.....	8
9.2	Accessories.....	9

Safety

epT.I.P.S. Motion® Reloads
English (EN)



1 About this manual**1.1 Notes on this manual**

This document supplements the operating manual of the device with which the Pipette tips are used.

1. Before using the product, read this document and the entire operating manual for the associated device.
2. Make sure that this document and the operating manual are available during the use of the product.

The dates in these instructions correspond to the international date format as specified in ISO 8601. All dates are shown in the format YYYY-MM-DD or YYYY-MM.

1.2 Graphics

Depiction	Meaning
1.	Work steps
2.	
•	Bullet point
<i>Text</i>	Display text
Key	Name for port, button, status lamp, or key
	Important information
	Hint

1.3 Other applicable documents

The following documents supplement this manual:

Use with the epMotion 5075, epMotion 5073:

- Device hardware manual
- epBlue software manual

Use with the epMotion 96, epMotion 96xl, epMotion 96 Flex:

- Device operating manual

2 Safety**2.1 Intended use**

epT.I.P.S. Motion are transparent pipette tips for use with the following devices:

- epMotion 5070
- epMotion 5073
- epMotion 5075
- epMotion 96

- epMotion 96xl
- epMotion 96 Flex

epT.I.P.S. Motion are available as Reloads.

epT.I.P.S. Motion Reloads are intended for single use.

epT.I.P.S. Motion of size 10 µL may only be used on the epMotion 5070, epMotion 5073, epMotion 5075 devices.

This product can be used for training, routine and research laboratories in the areas of life sciences, industry or chemistry.

The product may only be used by skilled personnel who have been trained in the areas mentioned above.

2.2 Personal protective equipment

Personal protective equipment serves to ensure the safety and protection of the user when working with the product.

Personal protective equipment must comply with country-specific regulations and the regulations of the laboratory.

2.3 Residual risks when used as intended

If the product is not used as intended, the installed safety devices may not function correctly. To reduce the risk of personal injury and material damage and to avoid dangerous situations, please observe the general safety instructions.

2.3.1 Personal injury

2.3.1.1 Biological hazards

Improper pipetting of infectious liquids and pathogenic germs can damage your health.

- Observe the national regulations and the biosafety level of your laboratory.
- Wear personal protective equipment.
- Observe the Safety Data Sheets and instructions for use for the accessories.
- Read the "Laboratory Biosafety Manual" (source: World Health Organization, Laboratory Biosafety Manual, in its current version) about handling germs or biological material of risk group II or higher.

2.3.1.2 Chemical hazards

Improper pipetting of radioactive, toxic and aggressive liquids can cause serious damage to health.

- Observe the national regulations of your laboratory.
- Wear personal protective equipment.
- Observe the Safety Data Sheets for the accessories.

Product description

epT.I.P.S. Motion® Reloads
English (EN)

2.3.2 Material damage

2.3.2.1 Chemical hazards

Aggressive substances may damage components, consumables and accessories.

- Check chemical resistance before using organic solvents and aggressive chemicals.
- Check compatibility with the materials used.
- Only use liquids whose vapors do not attack the materials used.

2.3.2.2 Incorrect handling

If you use pipette tips more than once, carry-over, contamination and incorrect dispensing results can occur.

- Only use pipette tips once.

3 Product description

3.1 Product overview

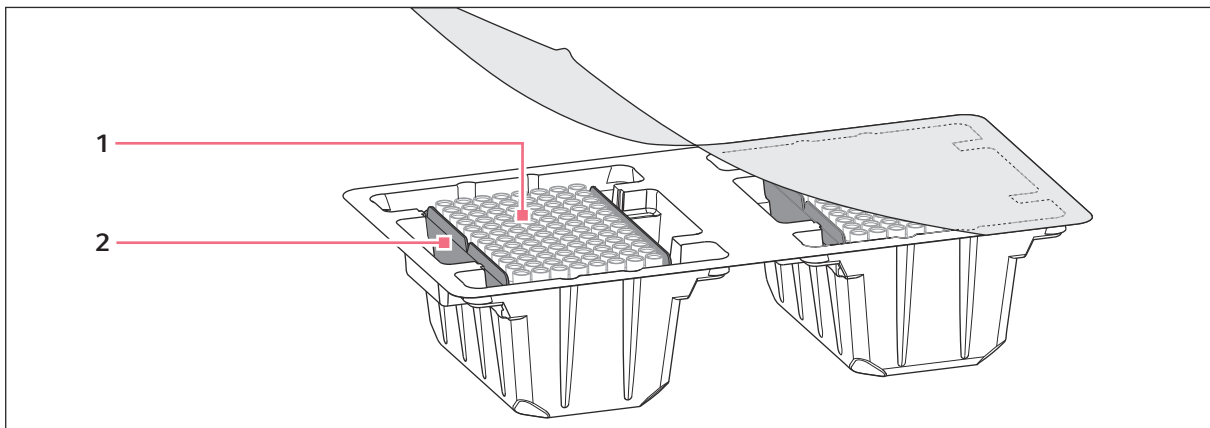


Fig. 3-1: epT.I.P.S. Motion Reloads

1 Pipette tips epT.I.P.S. Motion

2 Tray

3.2 Features

The epT.I.P.S. Motion Reloads consist of a tray containing 96 epT.I.P.S. Motion pipette tips.

The product name epT.I.P.S. stands for "Eppendorf Totally Integrated Pipetting System".

epT.I.P.S. Motion Reloads can be used with the following devices:

Suitable pipette tips	epMotion 5070 epMotion 5073 epMotion 5075	epMotion 96	epMotion 96xl	epMotion 96 Flex
10 µL	×	-	-	-
50 µL	×	×	-	×
300 µL	×	×	×	×
1000 µL	×	-	×	×

The tray of the epT.I.P.S. Motion Reloads is provided with a code. This code is used by the device to detect the size of the pipette tips and whether the pipette tips have a filter.

4 Application

Information on using the pipette tips with the device can be found in the device operating manual [↗ Chapter 1.3 "Other applicable documents" on page 4.](#)

5 Sterilization

epT.I.P.S. Motion Filter Reloads are single-use items. Pipette tips and trays must not be cleaned, decontaminated or autoclaved.

6 Storage

6.1 Storing epT.I.P.S. Motion Reloads

1. Store the epT.I.P.S. Motion Reloads in the blister package with the tips hanging in the trays.

7 Disposal

7.1 Disposing of consumables



Information on the legal regulations that apply in your country can be obtained from your responsible local authority and your Eppendorf partner.

1. Check the legal regulations for disposal in your country.
2. Dispose of the consumables according to their labeling.

Ordering information

epT.I.P.S. Motion® Reloads
English (EN)

8 Technical data**8.1 Ambient conditions****Operation**

Ambience	For indoor use only
Ambient temperature	5 °C – 45 °C
Relative humidity	10% – 95% Non-condensing
Atmospheric pressure	79.5 kPa – 106 kPa

Storage

Temperature during storage in transport packing	-20 °C – 55 °C
Temperature during storage without transport packing	-5°C – 45°C
Relative humidity	10 % – 95 %
Atmospheric pressure	70 kPa – 106 kPa

8.2 Material

Pipette tip	Polypropylene (PP)
Filter of the pipette tip	Polyethylene (PE)
Tray	Polypropylene (PP)
Protective film of the rack	Polyethylene (PE)
Blister package	Polybutylene terephthalate (PET)

9 Ordering information**9.1 Pipette tips**

Description	Order no.
epT.I.P.S.® Motion as Reload System without filter	
Eppendorf Quality, 0.5 – 50 µL, ACT, 2,304 tips (24 trays × 96 tips)	0030 014 421
Eppendorf Quality, 5 – 300 µL, ACT, 2,304 tips (24 trays × 96 tips)	0030 014 464
Eppendorf Quality, 10 – 1,000 µL, ACT, 2,304 tips (24 trays × 96 tips)	0030 014 502
Eppendorf Quality, 10 µL, ACT, 2,304 tips (24 trays × 96 tips)	0030 014 545

Description	Order no.
with filter	
PCR clean, 0.5 – 50 µL, ACT, 2,304 tips (24 trays × 96 tips)	0030 014 430
PCR clean, 5 – 300 µL, ACT, 2,304 tips (24 trays × 96 tips)	0030 014 472
PCR clean, 10 – 1,000 µL, ACT, 2,304 tips (24 trays × 96 tips)	0030 014 510
PCR clean and sterile, 0.5 – 50 µL, ACT, 2,304 tips (24 trays × 96 tips)	0030 014 529
PCR clean and sterile, 5 – 300 µL, ACT, 2,304 tips (24 trays × 96 tips)	0030 014 537
PCR clean, 10 µL, ACT, 2,304 tips (24 trays × 96 tips)	0030 014 553
PCR clean and sterile, 10 µL, ACT, 2,304 tips (24 trays × 96 tips)	0030 014 561
PCR clean and sterile, 10 – 1,000 µL, ACT, 2,304 tips (24 trays × 96 tips)	0030 014 570

9.2 Accessories

Description	Order no.
Box for epT.I.P.S.® Motion 1,000 µL Reload	0030 014 677
Box for epT.I.P.S.® Motion 10/50/300 µL Reload	0030 014 669
Clip for epT.I.P.S.® Motion Reloads	5075 751 070
TipHolder for epT.I.P.S.® Motion Reloads	5075 751 399
TipHolder for epMotion® 96 Flex TipHolder required to be used with epMotion® 96 Flex	5069 075 004

Evaluate Your Manual

Give us your feedback.

www.eppendorf.com/manualfeedback

Your local distributor: www.eppendorf.com/contact

Eppendorf SE · Barkhausenweg 1 · 22339 Hamburg · Germany
eppendorf@eppendorf.com · www.eppendorf.com