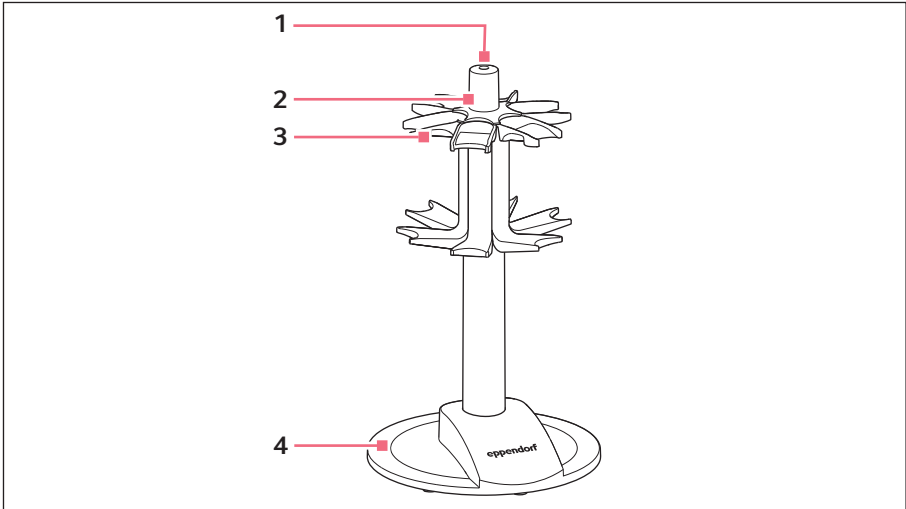
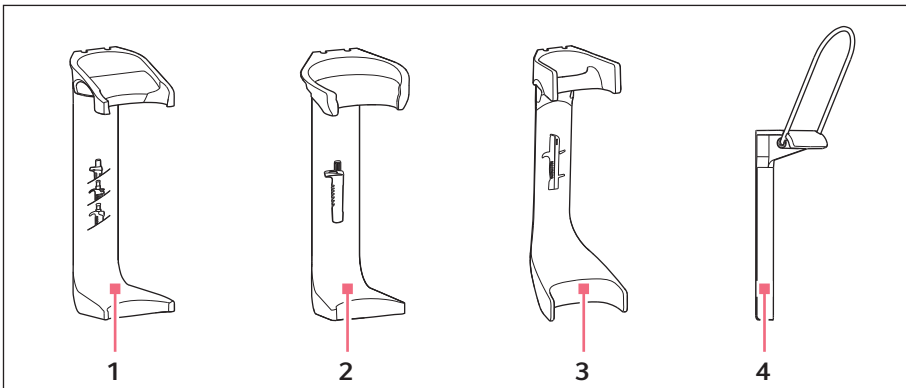


**Instructions for use**  
Pipette carousel  
English (EN)

**1 Main illustration**



- |                |                                            |
|----------------|--------------------------------------------|
| <b>1</b> Screw | <b>3</b> Holder for pipettes or dispensers |
| <b>2</b> Cover | <b>4</b> Pipette carousel                  |



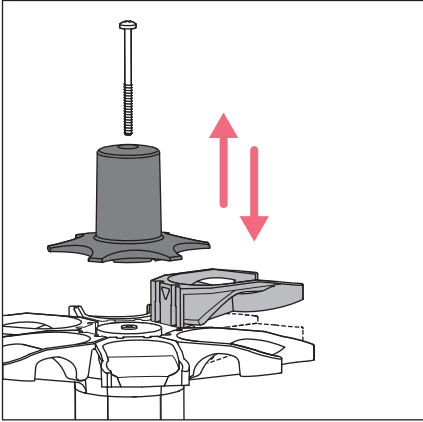
- |                                              |                                     |
|----------------------------------------------|-------------------------------------|
| <b>1</b> Holder for Research plus, Biomaster | <b>3</b> Holder for Multipipette M4 |
| <b>2</b> Holder for Reference 2              | <b>4</b> Holder for Varipette       |

## Instructions for use

Pipette carousel

English (EN)

### 2 Changing the holder



1. Loosen the screw and remove the cover.
2. Hold the carousel and lift the holder out.
3. Hook holder into the guide.
4. Slide holder down until the catch locks into place at the bottom.
5. Fit the cover and tighten the screw.

### 3 Ordering information

Order no. (International)	Order no. (North America)	Description
4923 000.009 3115 000.003	4923000009 022444905	<b>Pipette carousel</b> with 6 holders Reference 2 Research plus, Biomaster
4982 602.004	4982602004	<b>Holder</b> for pipette carousel or wall mounting Multipipette M4
4923 601.002 3115 600.019 4981 201.006	4923601002 022444913 022260588	<b>Holder</b> for pipette carousel Reference 2 Research plus, Biomaster Varipette

Your local distributor: [www.eppendorf.com/contact](http://www.eppendorf.com/contact)

Eppendorf AG · 22331 Hamburg · Germany

[eppendorf@eppendorf.com](mailto:eppendorf@eppendorf.com) · [www.eppendorf.com](http://www.eppendorf.com)