

Technical Data Sheet
Eppendorf Microplate 384/V
English (EN)

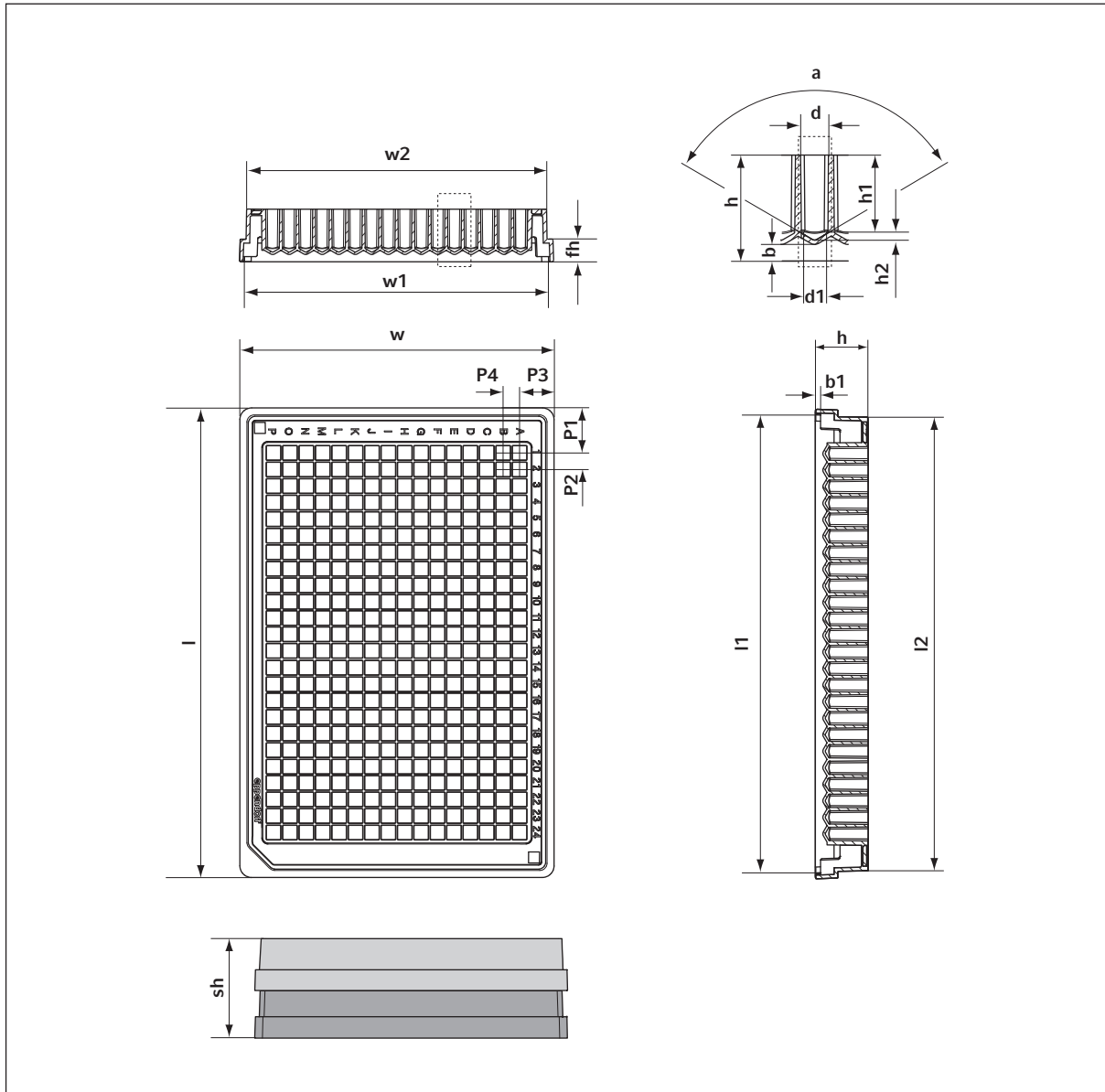


Plate dimensions [mm]

Length			Width			Height		Stack height
l	l_1	l_2	w	w_1	w_2	h	fh	sh (without lid)
127.8	124.8	123.4	85.5	83.1	81.5	14.35	6.1	27.2

Well dimensions [mm]

Well dimensions [mm]				Bottom [°]	Positions of well center [mm]				Bottom space [mm]	
Depth		Well width		Angle						
h_1	h_2	d	d_1	a	$P1$	$P2$	$P3$	$P4$	b	b_1
10.4	1.15	3.8	3.6	120	12.1	4.5	9.0	4.5	2.2	1.4

Your local distributor: www.eppendorf.com/contact
Eppendorf AG · 22331 Hamburg · Germany
eppendorf@eppendorf.com · www.eppendorf.com