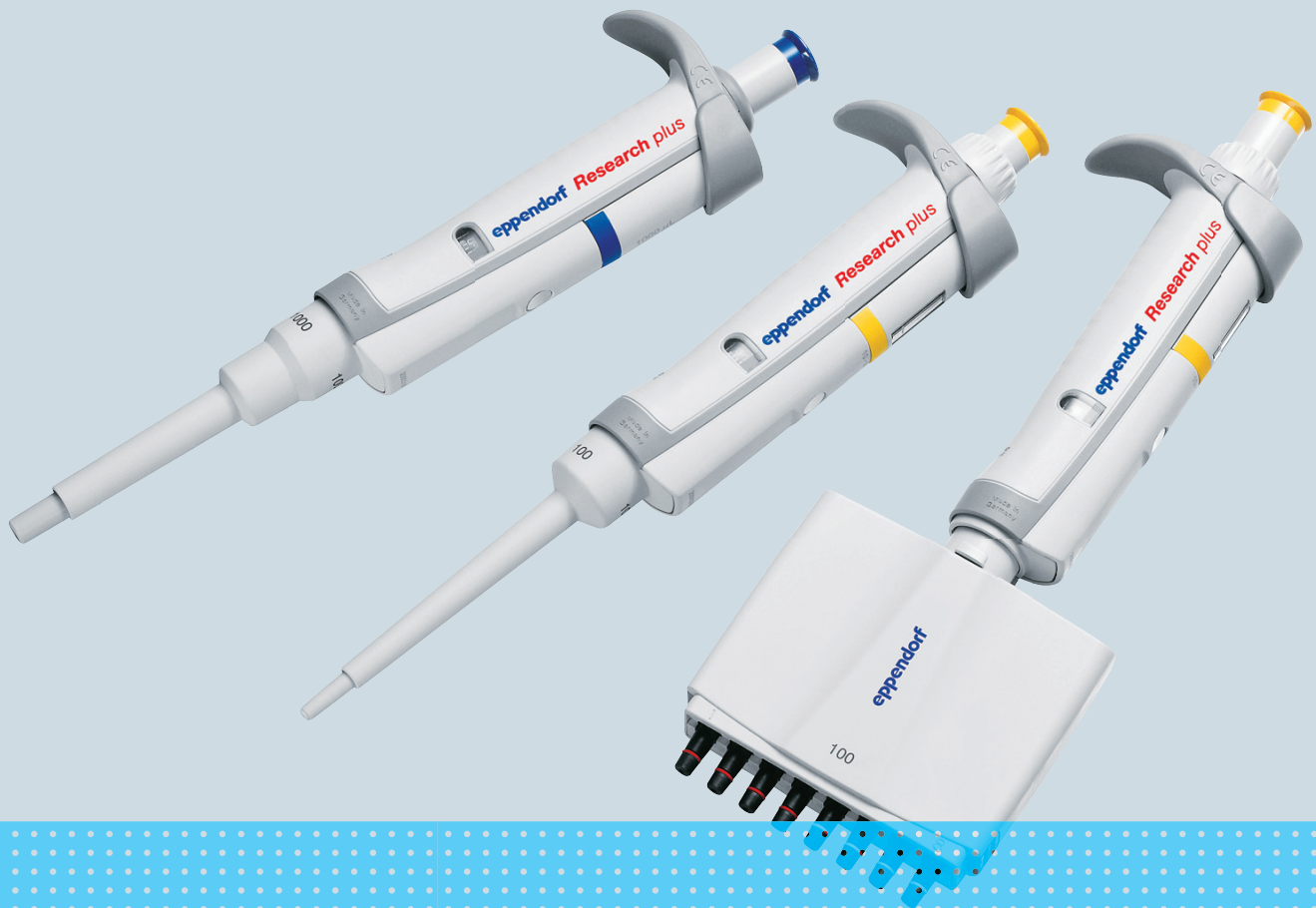


Register your instrument!
www.eppendorf.com/myeppendorf



Eppendorf Research[®] plus

Ordering information

Copyright © 2013 Eppendorf AG, Hamburg. No part of this publication may be reproduced without the prior permission of the copyright owner.

Trademarks

Eppendorf® and the Eppendorf logo are registered trademarks of Eppendorf AG, Hamburg, Germany.

Combitips®, epT.I.P.S.®, Multipette®, Repeater® and Research® are registered trademarks of Eppendorf AG, Hamburg, Germany.

Registered trademarks are not marked in all cases with ™ or ® in this manual.

Table of contents

1	Research plus pipettes	5
1.1	Single-channel, adjustable volume	5
1.2	Single-channel, fixed volume	5
1.3	Multi-channel	6
2	Research plus replacement parts	7
2.1	Lower parts	7
2.1.1	Single-channel	7
2.1.2	8-channel	8
2.1.3	12-channel	8
2.2	Ejector sleeves	9
2.3	Additional replacement parts	10
3	Accessories	13
3.1	Accessories for pipettes	13
3.2	Allocation table for epT.I.P.S.	15
3.3	Allocation table for ep Dualfilter T.I.P.S.	17
3.4	Pipette tips	19
3.4.1	epT.I.P.S. Eppendorf Quality	19
3.4.2	epT.I.P.S. LoRetention Eppendorf Quality	21
3.4.3	epT.I.P.S. Sterile	21
3.4.4	epT.I.P.S. PCR clean	22
3.4.5	epT.I.P.S. LoRetention PCR clean	23
3.4.6	ep Dualfilter T.I.P.S. PCR clean, sterile and pyrogen-free	23
3.4.7	ep Dualfilter T.I.P.S. LoRetention, PCR clean, sterile and pyrogen-free	24
3.4.8	epT.I.P.S. Biopur	24

Table of contents

Eppendorf Research® plus
English (EN)

1 Research plus pipettes

1.1 Single-channel, adjustable volume

Order no. (International)	Order no. (North America)	Description
		Eppendorf Research plus, variable
		single-channel
3120 000.011	3120000011	dark gray, 0.1 - 2.5 µL
3120 000.020	3120000020	medium gray, 0.5 - 10 µL
3120 000.097	3120000097	light gray, 2 - 20 µL
3120 000.038	3120000038	yellow, 2 - 20 µL
3120 000.046	3120000046	yellow, 10 - 100 µL
3120 000.054	3120000054	yellow, 20 - 200 µL
3120 000.100	3120000100	orange, 30 - 300 µL
3120 000.062	3120000062	blue, 100 - 1 000 µL
3120 000.070	3120000070	violet, 0.5 - 5 mL
3120 000.089	3120000089	turquoise, 1 - 10 mL

1.2 Single-channel, fixed volume

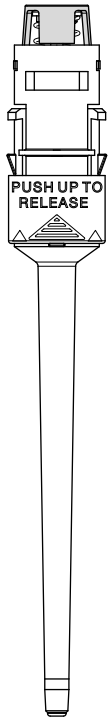
Order no. (International)	Order no. (North America)	Description
		Eppendorf Research plus, fixed
		single-channel
3121 000.015	3121000015	medium gray, 10 µL
3121 000.023	3121000023	yellow, 10 µL
3121 000.031	3121000031	light gray, 20 µL
3121 000.040	3121000040	yellow, 20 µL
3121 000.058	3121000058	yellow, 25 µL
3121 000.066	3121000066	yellow, 50 µL
3121 000.074	3121000074	yellow, 100 µL
3121 000.082	3121000082	yellow, 200 µL
3121 000.090	3121000090	blue, 200 µL
3121 000.104	3121000104	blue, 250 µL
3121 000.112	3121000112	blue, 500 µL
3121 000.120	3121000120	blue, 1 000 µL

1.3 Multi-channel

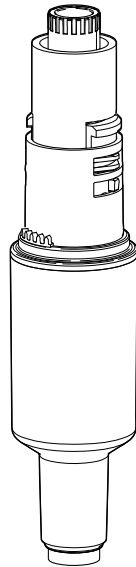
Order no. (International)	Order no. (North America)	Description
3122 000.019	3122000019	Eppendorf Research plus, variable 8-channel medium gray, 0.5 - 10 µL yellow, 10 - 100 µL orange, 30 - 300 µL
3122 000.035	3122000035	
3122 000.051	3122000051	
3122 000.027	3122000027	Eppendorf Research plus, variable 12-channel medium gray, 0.5 - 10 µL yellow, 10 - 100 µL orange, 30 - 300 µL
3122 000.043	3122000043	
3122 000.060	3122000060	

2 Research plus replacement parts

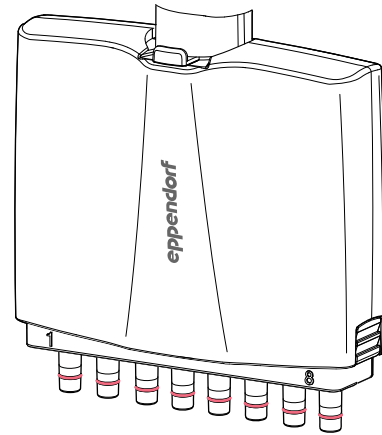
2.1 Lower parts



Single channel lower part
2.5 µL - 1 000 µL



Single channel lower part
5 mL / 10 mL



Multi-channel lower part

2.1.1 Single-channel

Order no. (International)	Order no. (North America)	Description
		Eppendorf Research plus lower part
		single-channel
3120 613.005	3120613005	2.5 µL, dark gray, variable: 0.1 µL - 2.5 µL
3120 614.001	3120614001	10 µL, medium gray, variable: 0.5 µL - 10 µL, fixed: 10 µL
3120 615.008	3120615008	20 µL, light gray, variable: 2 µL - 20 µL, fixed: 20 µL
3120 616.004	3120616004	20 µL, yellow, variable: 2 µL - 20 µL, fixed: 10 µL, 20 µL
3120 617.000	3120617000	100 µL, yellow, variable: 10 - 100 µL, fixed: 25 µL, 50 µL, 100 µL
3120 618.007	3120618007	200 µL, yellow, variable: 20 - 200 µL, fixed: 200 µL
3120 619.003	3120619003	300 µL, orange, variable: 30 - 300 µL
3120 620.001	3120620001	1 000 µL, blue, variable: 100 - 1 000 µL, fixed: 200 µL, 250 µL, 500 µL, 1 000 µL
3120 621.008	3120621008	5 mL, violet, variable: 0.5 - 5 mL
3120 622.004	3120622004	10 mL, turquoise, variable: 1 - 10 mL

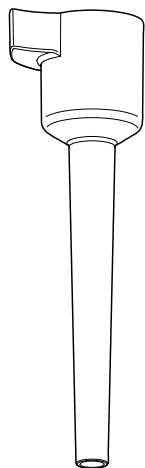
2.1.2 8-channel

Order no. (International)	Order no. (North America)	Description
		Eppendorf Research plus lower part
		8-channel
3122 601.004	3122601004	medium gray, 0.5 - 10 µL
3122 603.007	3122603007	yellow, 10 - 100 µL
3122 605.000	3122605000	orange, 30 - 300 µL

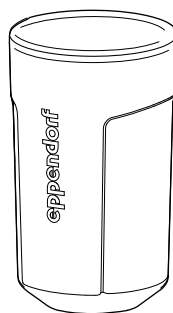
2.1.3 12-channel

Order no. (International)	Order no. (North America)	Description
		Eppendorf Research plus lower part
		12-channel
3122 602.000	3122602000	medium gray, 0.5 - 10 µL
3122 604.003	3122604003	yellow, 10 - 100 µL
3122 606.006	3122606006	orange, 30 - 300 µL

2.2 Ejector sleeves



Ejection sleeve 2.5 µL - 1 000 µL



Ejection sleeve 5 mL/10 mL

Order no. (International)	Order no. (North America)	Description
		Eppendorf Research plus Ejector sleeve variable
3120 623.000	3120623000	2.5 µL, color code: dark gray
3120 628.002	3120628002	300 µL, color code : orange
3120 630.007	3120630007	5 mL, color code: violet, complete with ejection carrier
3120 631.003	3120631003	10 mL color code: turquoise, complete with ejection carrier
		Eppendorf Research plus Ejector sleeve variable, fixed
3120 624.007	3120624007	10 µL, color code: medium gray
3120 625.003	3120625003	20 µL, color code: light gray or yellow
3120 626.000	3120626000	100 µL, color code: yellow
3120 627.006	3120627006	200 µL, color code: yellow
3120 629.009	3120629009	1 000 µL, color code: blue
		Eppendorf Research plus Ejector sleeve fixed
3121 601.000	3121601000	25 µL, color code: yellow
3121 602.007	3121602007	50 µL, color code: yellow
3121 603.003	3121603003	200 µL, color code: blue
3121 604.000	3121604000	250 µL, color code: blue
3121 605.006	3121605006	500 µL, color code: blue

Research plus replacement parts

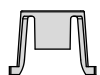
Eppendorf Research® plus
English (EN)

2.3 Additional replacement parts

For the Research plus 5 mL and 10 mL, pistons, piston mounts and piston springs are not available separately. Pistons, piston mounts and piston springs can only be ordered together with the lower part.



For the Research plus pipettes with color code blue, piston springs are not available separately. Piston springs can only be ordered together with the piston.



Piston mount 2.5 μ L - 1 000 μ L



Piston



Piston spring



Replacement channel

For multi-channel
With piston, cylinder and tip spring
loading action

Order no. (International)	Order no. (North America)	Description
3120 609.008	3120609008	Eppendorf Research plus Piston spring variable 0.1 - 2.5 µL, 0.5 - 10 µL, 2 - 20 µL, fixed: 2.5 µL, 10 µL, 20 µL for 2.5 µL, 10 µL, 20 µL pistons, color code: gray or yellow
3120 610.006	3120610006	Eppendorf Research plus Piston spring variable: 10 - 100 µL, fixed: 25 µL, 50 µL, 100 µL for 100 µL Piston, color code: yellow
3120 611.002	3120611002	Eppendorf Research plus Piston spring variable: 20 - 200 µL, fixed: 200 µL for 200 µL Piston, color code: yellow
3120 612.009	3120612009	Eppendorf Research plus Piston spring variable: 30 - 300 µL, fixed: 300 µL for 300 µL Piston, color code: orange
3120 601.007	3120601007	Piston mount Eppendorf Research plus 2.5 µL - 1 000 µL
3120 602.003 3120 603.000 3120 604.006	3120602003 3120603000 3120604006	Eppendorf Research plus Piston 2.5 µL, color code: dark gray; variable: 0.1 µL - 2.5 µL 10 µL, color code: medium gray; variable: 0.5 µL - 10 µL, fixed: 10 µL 20 µL, color code: light gray or yellow; variable: 2 µL - 20 µL, fixed: 10 µL - 20 µL
3120 605.002 3120 606.009 3120 607.005	3120605002 3120606009 3120607005	Eppendorf Research plus Piston with seal 100 µL, color code: yellow; variable: 10 - 100 µL, fixed: 25 µL, 50 µL, 100 µL 200 µL, color code: yellow; variable: 20 - 200 µL, fixed: 200 µL 300 µL, color code: orange; variable: 30 - 300 µL
3120 608.001	3120608001	Eppendorf Research plus Piston with seal and spring 1 000 µL, color code: blue; variable: 100 - 1 000 µL, fixed: 200 µL, 250 µL, 500 µL, 1 000 µL
3122 611.000	3122611000	O-ring Red, for multichannel lower parts 5 - 100 µL, 15 - 300 µL (1 set = 24 pieces)
3122 607.002	3122607002	Replacement channel for multichannel lower parts includes piston, cylinder, tip spring 10 µL, color code: medium gray, for multichannel 0.5 - 10 µL
3122 608.009 3122 609.005	3122608009 3122609005	Replacement channel for multichannel lower parts includes piston, cylinder, tip spring, O-ring 100 µL, color code: yellow, for multichannel 10 - 100 µL 300 µL, color code: orange, for multichannel 30 - 300 µL

3 Accessories

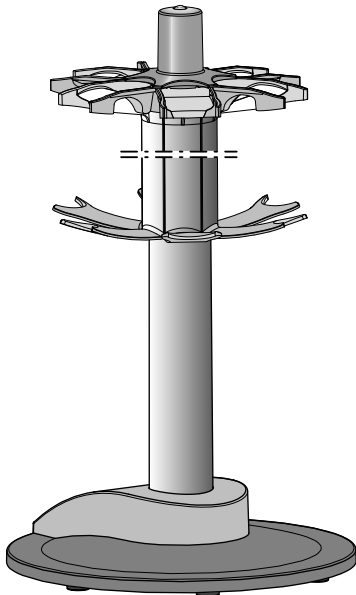
3.1 Accessories for pipettes



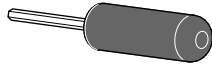
Multi-channel tool



Locking ring



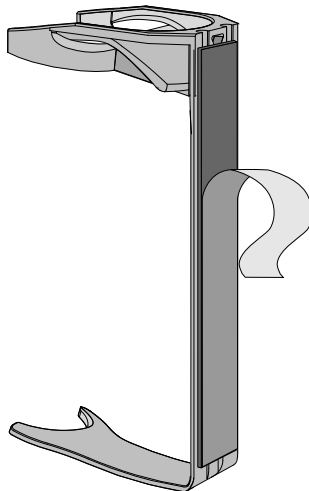
Pipette carousel



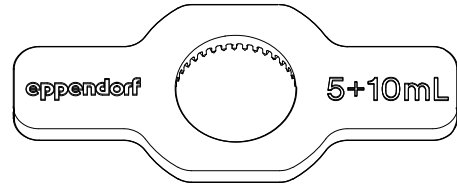
Adjustment tool



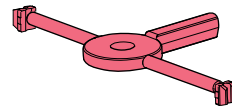
Pin



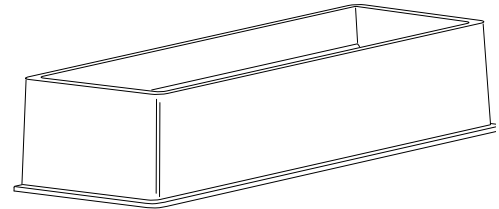
Pipette holder
For wall attachment (with adhesive surface) for Research and Reference pipettes.



Pipette wrench 5 mL/10 mL



Safety plug tool



Reagent reservoir Tip-Tub

AccessoriesEppendorf Research® plus
English (EN)

Order no. (International)	Order no. (North America)	Description
3122 610.003	3122610003	Multi-channel tool for cutting the O-rings on the tip cone of multi-channel lower parts 5 - 100 µL or 15 - 300 µL
0030 058.607	022265806	Reagent reservoir Tip-Tub autoclavable reservoir for the aspiration of liquids with multi-channel pipettes 1 set = 10 reservoirs and 10 lids
3120 632.000 3111 606.004	3120632000 022472305	Protection filter in the tip cone 5 mL, color code: violet, 1 set = 50 pieces 10 mL, color code: turquoise, 1 set = 50 pieces
3120 633.006	3120633006	Adjustment tool for changing the user adjustment
3120 634.002	3120634002	Pipette wrench 2 mL/2.5 mL/5 mL/10 mL
0013 063.010	022458507	Grease for pipettes, 1 g
3113 004.001	022448510	PiCaSo II Software Pipette Calibration Software
3210 636.005	3210636005	Adjustment seal red, 5 pieces
3120 635.009	3120635009	Locking ring to prevent spring action with single-channel Research plus pipettes 2.5 - 1 000 µL
3115 000.003	022444905	Pipette carousel 3115 with 6 pipette holder for Research and Reference Pipettes
3115 600.019	022260588	Pipette holder For carousel (replacement)
3115 000.020	022444913	Pipette mount For wall mounting (with adhesive backing) for Research and Reference pipettes
3120 900.012	3120900012	Operating Manual Research plus
3120 900.020	3120900020	Research plus Mini CD
3120 639.004	3120639004	Safety plug tools 5 pieces, for changing the factory adjustment Incl. pin for loosening the safety plug
3122 612.006 3122 613.002	3122612006 3122613002	Locking clip To prevent spring loading of multi-channel lower parts (10 µL, 100 µL, 300 µL) 2 pieces for 8-channel lower parts 3 pieces for 12-channel lower parts

3.2 Allocation table for epT.I.P.S.

epT.I.P.S.	0.1 - 10 µL	0.1 - 20 µL	0.5 - 20 L	2 - 200 µL	20 - 300 µL	50 - 1 000 µL	50 - 1 250 µL	50 - 1 250 µL L	0.1 - 5 mL	1 - 10 mL	1 - 10 mL L	GELoader	Microloader
Length	34 mm	40 mm	46 mm	53 mm	55 mm	71 mm	76 mm	103 mm	120 mm	165 mm	243 mm	62 mm	100 mm
Volume marking at	2.5 / 10 µL	10 µL	-	10 / 50 / 100 µL	50 / 100 / 200 µL	100 / 500 µL	-	-	-	1 / 5 / 10 mL	each mL	-	-
LoRetention available	yes	no	yes	yes	no	yes	no	no	no	no	no	no	no
Color code	dark gray	medium gray	light gray	yellow	orange	blue	green	dark green	purple	turquoise	turquoise	light gray	light gray
Research plus single-channel variable													
0.1 - 2.5 µL	■*	■											
0.5 - 10 µL	■	■*	■									■	■
2 - 20 µL	■	■	■*									■	■
2 - 20 µL				■*									
10 - 100 µL				■*	■								
20 - 200 µL				■*	■								
30 - 300 µL				■**	■*								
100 - 1 000 µL						■*	■	■***					
0.5 - 5 mL									■*				
1 - 10 mL										■*	■***		
Research plus multi-channel variable													
0.5 - 10 µL	■	■*	■										
10 - 100 µL				■*	■								
30 - 300 µL				■**	■*								
■	Research plus can be used with this tip.												
■*	Research plus can be used with this tip. This tip was used when determining the measurement errors (see Technical data).												
■**	Research plus can be used with this tip. Warning! Do not select a volume which exceeds the nominal tip volume as otherwise liquid may enter the pipette.												
■***	Research plus can be used with this tip. If the suitable user adjustment setting for the Research plus has not been selected, the systematic error will increase approximately by a factor of 2 compared to the standard tips. Information on minimizing the systematic error is provided in the document User Adjustment on the Research plus CD.												

epT.I.P.S.		0.1 - 10 µL	0.1 - 20 µL	0.5 - 20 L L	2 - 200 µL	20 - 300 µL	50 - 1 000 µL	50 - 1 250 µL	0.1 - 5 mL	1 - 10 mL	1 - 10 mL L	GELoader	Microloader
Length	34 mm	40 mm	46 mm	53 mm	55 mm	71 mm	76 mm	103 mm	120 mm	165 mm	245 mm	62 mm	100 mm
Volume marking at	2.5 / 10 µL	10 µL	-	10 / 50 / 100 µL	50 / 100 / 200 µL	100 / 500 µL	-	-	-	1 / 5 / 10 mL	each mL	-	-
LoRetention available	yes	no	yes	yes	no	yes	no	no	no	no	no	no	no
Color code	dark gray	medium gray	light gray	yellow	orange	blue	green	dark green	purple	turquoise	turquoise	light gray	light gray
Research plus fixed													
10 µL	medium gray	■	■*	■								■	■
20 µL	light gray	■	■	■*								■	■
10 µL	yellow				■*								
20 µL	yellow				■*								
25 µL	yellow				■*	■							
50 µL	yellow				■*	■							
100 µL	yellow				■*	■							
200 µL	yellow				■*	■							
200 µL	blue					■*	■	■					
250 µL	blue					■*	■	■					
500 µL	blue					■*	■	■	■				
1 000 µL	blue					■*	■	■	■				
■	Research plus can be used with this tip.												
■*	Research plus can be used with this tip. This tip was used when determining the measurement errors (see Technical data).												
■**	Research plus can be used with this tip. Warning! Do not select a volume which exceeds the nominal tip volume as otherwise liquid may enter the pipette.												
■***	Research plus can be used with this tip. If the suitable user adjustment setting for the Research plus has not been selected, the systematic error will increase approximately by a factor of 2 compared to the standard tips. Information on minimizing the systematic error is provided in the document User Adjustment on the Research plus CD.												

3.3 Allocation table for ep Dualfilter T.I.P.S.

ep Dualfilter T.I.P.S.	0.1 - 10 µL S	0.1 - 10 µL M	0.5 - 20 L L	2 - 20 µL	2 - 100 µL	2 - 200 µL	20 - 300 µL	50 - 1 000 µL	50 - 1 250 mL L	0.1 - 5 mL	1 - 10 mL L
Length	34 mm	40 mm	46 mm	53 mm	53 mm	55 mm	55 mm	76 mm	103 mm	120 mm	243 mm
Volume marking at	2.5 / 10 µL	10 µL	-	10 µL	10 / 50 / 100 µL	20 / 100 / 200 µL	50 / 100 / 200 µL	-	-	-	each mL
LoRetention Dualfilter available	yes	no	yes	no	yes	no	yes	yes	no	no	no
Color code	dark gray	medium gray	light gray	yellow	yellow	yellow	orange	blue	dark green	purple	turquoise
Research plus single-channel variable											
0.1 - 2.5 µL	■	■									
0.5 - 10 µL	■	■	■								
2 - 20 µL	■**	■**									
2 - 20 µL				■	■	■					
10 - 100 µL				■**	■	■	■				
20 - 200 µL					■**	■	■				
30 - 300 µL					■**	■**	■				
100 - 1 000 µL								■	■***		
0.5 - 5 mL										■	
1 - 10 mL											■***
Research plus multi-channel variable											
0.5 - 10 µL	■	■	■								
10 - 100 µL				■**	■	■	■				
30 - 300 µL					■**	■**	■				
■	Research plus can be used with this tip.										
■*	Research plus can be used with this tip. This tip was used when determining the measurement errors (see Technical data).										
■**	Research plus can be used with this tip. Warning! Do not select a volume which exceeds the nominal tip volume as otherwise liquid may enter the pipette.										
■***	Research plus can be used with this tip. If the suitable user adjustment setting for the Research plus has not been selected, the systematic error will increase approximately by a factor of 2 compared to the standard tips. Information on minimizing the systematic error is provided in the document User Adjustment on the Research plus CD.										

ep Dualfilter T.I.P.S.		0.1 - 10 µL S	0.1 - 10 µL M	0.5 - 20 L L	2 - 20 µL	2 - 100 µL	2 - 200 µL	20 - 300 µL	50 - 1 000 µL	50 - 1 250 mL L	0.1 - 5 mL	1 - 10 mL L
Length		34 mm	40 mm	46 mm	53 mm	53 mm	55 mm	55 mm	76 mm	103 mm	120 mm	243 mm
Volume marking at		2.5 / 10 µL	10 µL	-	10 µL	10 / 50 / 100 µL	20 / 100 / 200 µL	50 / 100 / 200 µL	-	-	-	each mL
LoRetention Dualfilter available		yes	no	yes	no	yes	no	yes	yes	no	no	no
Color code		dark gray	medium gray	light gray	yellow	yellow	yellow	orange	blue	dark green	purple	turquoise
Research plus fixed												
10 µL	■	■	■	■								
20 µL			■	■								
10 µL					■	■	■					
20 µL					■	■	■					
25 µL						■	■	■				
50 µL						■	■	■				
100 µL						■	■	■				
200 µL								■				
200 µL									■			
250 µL									■			
500 µL									■	■		
1 000 µL									■	■		
	■	Research plus can be used with this tip.										
	■*	Research plus can be used with this tip. This tip was used when determining the measurement errors (see Technical data).										
	■**	Research plus can be used with this tip. Warning! Do not select a volume which exceeds the nominal tip volume as otherwise liquid may enter the pipette.										
	■***	Research plus can be used with this tip. If the suitable user adjustment setting for the Research plus has not been selected, the systematic error will increase approximately by a factor of 2 compared to the standard tips. Information on minimizing the systematic error is provided in the document User Adjustment on the Research plus CD.										

3.4 Pipette tips

3.4.1 epT.I.P.S. Eppendorf Quality

Order no. (International)	Order no. (North America)	Description
0030 000.811 0030 000.838 0030 000.854 0030 000.870 0030 000.897 0030 000.919 0030 000.935 0030 000.730	022492004 022492012 022492021 022492039 022492047 022492055 022492063 022494018	epT.I.P.S. Standard Eppendorf Quality, 2 bags of 500 tips 0.1 – 10 µL, dark gray, length: 34 mm 0.1 – 20 µL, medium gray, length: 40 mm 0.5 – 20 µL L, light gray, length: 46 mm 2 – 200 µL, yellow, length: 53 mm 20 – 300 µL, orange, length: 55 mm 50 – 1 000 µL, blue, length: 71 mm 50 – 1 250 µL, green, length: 76 mm 50 – 1 250 µL L, dark green, length: 103 mm
0030 000.978	022492080	epT.I.P.S. Standard Eppendorf Quality, 5 bags of 100 tips 0.1– 5 mL , violet, length: 120 mm
0030 000.765 0030 000.781	022492098 022492101	epT.I.P.S. Standard Eppendorf Quality, 2 bags of 100 tips 1 – 10 mL, turquoise, length: 165 mm 1 – 10 mL L, turquoise, length: 243 mm
0030 073.363 0030 073.380 0030 073.401 0030 073.428 0030 073.444 0030 073.460 0030 073.487 0030 073.606	022491504 022491512 022491521 022491539 022491547 022491555 022491563 022494004	epT.I.P.S. Reloads Eppendorf Quality, 10 trays of 96 tips 0.1 – 10 µL, dark gray, length: 34 mm (stacks) 0.1 – 20 µL, medium gray, length: 40 mm 0.5 – 20 µL, light gray, length: 46 mm 2 – 200 µL, yellow, length: 53 mm (stacks) 20 – 300 µL, orange, length: 55 mm 50 – 1 000 µL, blue, length: 71 mm 50 – 1 250 µL, green, length: 76 mm 50 – 1 250 µL L, dark green, length: 103 mm
0030 073.002 0030 073.029 0030 073.045 0030 073.061 0030 073.088 0030 073.100 0030 073.126 0030 073.622	022491300 022491318 022491326 022491334 022491342 022491351 022491369 022494016	epT.I.P.S. Box Eppendorf Quality, 1 autoclavable box incl. 96 tips 0.1 – 10 µL, dark gray, length: 34 mm 0.1 – 20 µL, medium gray, length: 40 mm 0.5 – 20 µL L, light gray, length: 46 mm 2 – 200 µL, yellow, length: 53 mm 20 – 300 µL, orange, length: 55 mm 50 – 1 000 µL, blue, length: 71 mm 50 – 1 250 µL, green, length: 76 mm 50 – 1 250 µL L, dark green, length: 103 mm
0030 073.169	022491385	epT.I.P.S. Box Eppendorf Quality, 1 autoclavable box incl. 24 tips 0.1– 5 mL, length: 120 mm

Accessories

Eppendorf Research® plus
English (EN)

Order no. (International)	Order no. (North America)	Description
0030 073.207 0030 073.223 0030 073.240 0030 073.266 0030 073.282 0030 073.304 0030 073.320	022491407 022491415 022491423 022491431 022491440 022491458 022491466	epT.I.P.S. Set Eppendorf Quality, 1 autoclavable box incl. 5 trays of 96 tips 0.1 – 10 µL, dark gray, length: 34 mm 0.1 – 20 µL, medium gray, length: 40 mm 0.5 – 20 µL, light gray, length: 46 mm 2 – 200 µL, yellow, length: 53 mm 20 – 300 µL, orange, length: 55 mm 50 – 1 000 µL, blue, length: 71 mm 50 – 1 250 µL, green, length: 76 mm
0030 001.222	022351656	epT.I.P.S. Racks, GELoader Eppendorf Quality, 2 racks of 96 tips 0.5 – 20 µL, light gray, length: 62 mm
5242 956.003	930001007	epT.I.P.S. Racks, Microloader Eppendorf Quality, 2 racks of 96 tips 0.5 - 20 µL, light gray, length: 100 mm
	022491903 022491911 022491920 022491938 022491946 022491954 022491962	epT.I.P.S. Racks Eppendorf Quality, 10 racks with 96 tips each 0.1 – 10 µL, dark gray, length: 34 mm 0.1 – 20 µL, medium gray, length: 40 mm 0.5 – 20 µL L, light gray, length: 46 mm 2 – 200 µL, yellow, length: 53 mm 20 – 300 µL, orange, length: 55 mm 50 – 1 000 µL, blue, length: 71 mm 50 – 1 250 µL, green, length: 76 mm
	022494010	epT.I.P.S. Racks Eppendorf Quality, 5 racks of 96 tips 50 – 1 250 µL L, dark green, length: 103 mm
	022491971	epT.I.P.S. Racks Eppendorf Quality, 5 racks of 48 tips 0.25 – 2.5 mL, red, length: 115 mm
	022491989	epT.I.P.S. Racks Eppendorf Quality, 5 racks of 24 tips 0,1 – 5 mL, violet, length: 120 mm

3.4.2 epT.I.P.S. LoRetention Eppendorf Quality

Order no. (International)	Order no. (North America)	Description
0030 072.049	022493018	epT.I.P.S. LoRetention Reloads Eppendorf Quality, 10 trays of 96 tips 0.1 – 10 µL, dark gray, length: 34 mm 0.5 – 20 µL L, light gray, length: 46 mm 2 – 200 µL, yellow, length: 53 mm 50 – 1 000 µL, blue, length: 71 mm
0030 072.057	022493020	
0030 072.065	022493022	
0030 072.073	022493024	

3.4.3 epT.I.P.S. Sterile

Order no. (International)	Order no. (North America)	Description
	022492250 022492276 022492284 022492292 022492306	epT.I.P.S. Racks Steril, 10 racks with 96 tips each 0.1 – 20 µL, medium gray, length: 40 mm 2 – 200 µL, yellow, length: 53 mm 20 – 300 µL, orange, length: 55 mm 50 – 1 000 µL, blue, length: 71 mm 50 – 1 250 µL, green, length: 76 mm
	022492314	

3.4.4 epT.I.P.S. PCR clean

Order no. (International)	Order no. (North America)	Description
0030 073.746	022491709	epT.I.P.S. Reloads PCR clean, 10 trays of 96 tips
0030 073.762	022491717	0.1 – 10 µL, dark gray, length: 34 mm (stacks)
0030 073.789	022491725	0.1 – 20 µL, medium gray, length: 40 mm
0030 073.800	022491733	0.5 – 20 µL L, light gray, length: 46 mm
0030 073.827	022491741	2 – 200 µL, yellow, length: 53 mm (stacks)
0030 073.843	022491750	20 – 300 µL, orange, length: 55 mm
0030 073.860	022491768	50 – 1 000 µL, blue, length: 71 mm
0030 073.614	022494006	50 – 1 250 µL, green, length: 76 mm 50 – 1 250 µL L, dark green, length: 103 mm
	022491806	epT.I.P.S. Racks PCR clean, 10 racks with 96 tips each
	022491814	0.1 – 10 µL, dark gray, length: 34 mm
	022491822	0.1 – 20 µL, medium gray, length: 40 mm
	022491831	0.5 – 20 µL L, light gray, length: 46 mm
	022491849	2 – 200 µL, yellow, length: 53 mm
	022491857	20 – 300 µL, orange, length: 55 mm
	022491865	50 – 1 000 µL, blue, length: 71 mm 50 – 1 250 µL, green, length: 76 mm
	022494012	epT.I.P.S. Racks PCR clean, 5 racks of 96 tips 50 – 1 250 µL L, dark green, length: 103 mm
	022491873	epT.I.P.S. Racks PCR clean, 5 racks of 48 tips 0.25 – 2.5 mL, red, length: 115 mm
	022491881	epT.I.P.S. Racks PCR clean, 5 racks of 24 tips 0.1 – 5 mL, violet, length: 120 mm

3.4.5 epT.I.P.S. LoRetention PCR clean

Order no. (International)	Order no. (North America)	Description
0030 072.006 0030 072.014 0030 072.022 0030 072.030	022493010 022493012 022493014 022493016	epT.I.P.S. LoRetention Reloads PCR clean, 10 trays of 96 tips 0.1 – 10 µL, dark gray, length: 34 mm 0.5 – 20 µL L, light gray, length: 46 mm 2 – 200 µL, yellow, length: 53 mm 50 – 1 000 µL, blue, length: 71 mm
	022493026 022493028 022493030 022493032	epT.I.P.S. LoRetention Racks PCR clean, 10 racks with 96 tips each 0.1 – 10 µL, dark gray, length: 34 mm 0.5 – 20 µL L, light gray, length: 46 mm 2 – 200 µL, yellow, length: 53 mm 50 – 1 000 µL, blue, length: 71 mm

3.4.6 ep Dualfilter T.I.P.S. PCR clean, sterile and pyrogen-free

Order no. (International)	Order no. (North America)	Description
0030 077.504 0030 077.512 0030 077.520 0030 077.539 0030 077.547 0030 077.555 0030 077.563 0030 077.571	022491202 022491211 022491229 022491270 022491237 022491296 022491245 022491253	ep Dualfilter T.I.P.S. Racks PCR clean, sterile and pyrogen-free, 10 racks of 96 tips 0.1 – 10 µL S, dark gray, length: 34 mm 0.1 – 10 µL M, medium gray, length: 40 mm 0.5 – 20 µL L, light gray, length: 46 mm 2 – 20 µL, yellow, length: 53 mm 2 – 100 µL, yellow, length: 53 mm 2 – 200 µL, yellow, length: 55 mm 15 – 300 µL, orange, length: 55 mm 50 – 1 000 µL, blue, length: 76 mm
0030 077.750	022494002	ep Dualfilter T.I.P.S. Racks PCR clean, sterile and pyrogen-free, 5 racks of 96 tips 50 – 1 250 µL L, dark green, length: 103 mm
0030 077.580	022491261	ep Dualfilter T.I.P.S. Racks PCR clean, sterile and pyrogen-free, 5 racks of 24 tips 0.1 – 5 mL, violet, length: 120 mm
0030 077.598	022491288	ep Dualfilter T.I.P.S. Singles PCR clean, sterile and pyrogen-free, 100 tips individually packaged 1 – 10 mL L, turquoise, length: 243 mm

3.4.7 ep Dualfilter T.I.P.S. LoRetention, PCR clean, sterile and pyrogen-free

Order no. (International)	Order no. (North America)	Description
		ep Dualfilter T.I.P.S. LoRetention Racks PCR clean, sterile and pyrogen-free, 10 racks of 96 tips
0030 077.610	022493000	0.1 – 10 µL S, dark gray, length: 34 mm
0030 077.628	022493002	0.5 – 20 µL L, light gray, length: 46 mm
0030 077.644	022493006	2 – 100 µL, yellow, length: 53 mm
0030 077.636	022493004	20 – 300 µL, orange, length: 55 mm
0030 077.652	022493008	50 – 1 000 µL, blue, length: 76 mm

3.4.8 epT.I.P.S. Biopur

Order no. (International)	Order no. (North America)	Description
		epT.I.P.S. Singles Biopur, 100 tips, individually wrapped
0030 010.019	022491130	0.1 – 20 µL, medium gray, length: 40 mm
0030 010.035	022491148	2 – 200 µL, yellow, length: 53 mm
0030 010.051	022491156	50 – 1 000 µL, blue, length: 71 mm
		epT.I.P.S. Racks Biopur, 5 racks of 96 tips
0030 075.005	022491067	0.1 – 20 µL, medium gray, length: 40 mm
0030 075.021	022491083	2 – 200 µL, yellow, length: 53 mm
0030 075.048	022491091	20 – 300 µL, orange, length: 55 mm
0030 075.064	022491105	50 – 1 000 µL, blue, length: 71 mm
0030 075.080	022491113	50 – 1 250 µL, green, length: 76 mm
0030 075.129	022494014	50 – 1 250 µL L, dark green, length: 103 mm
		epT.I.P.S. Racks Biopur, 5 racks of 24 tips
0030 075.145	022491164	1 – 10 mL, turquoise, length: 165 mm

Evaluate your manual

Give us your feedback.
www.eppendorf.com/manualfeedback