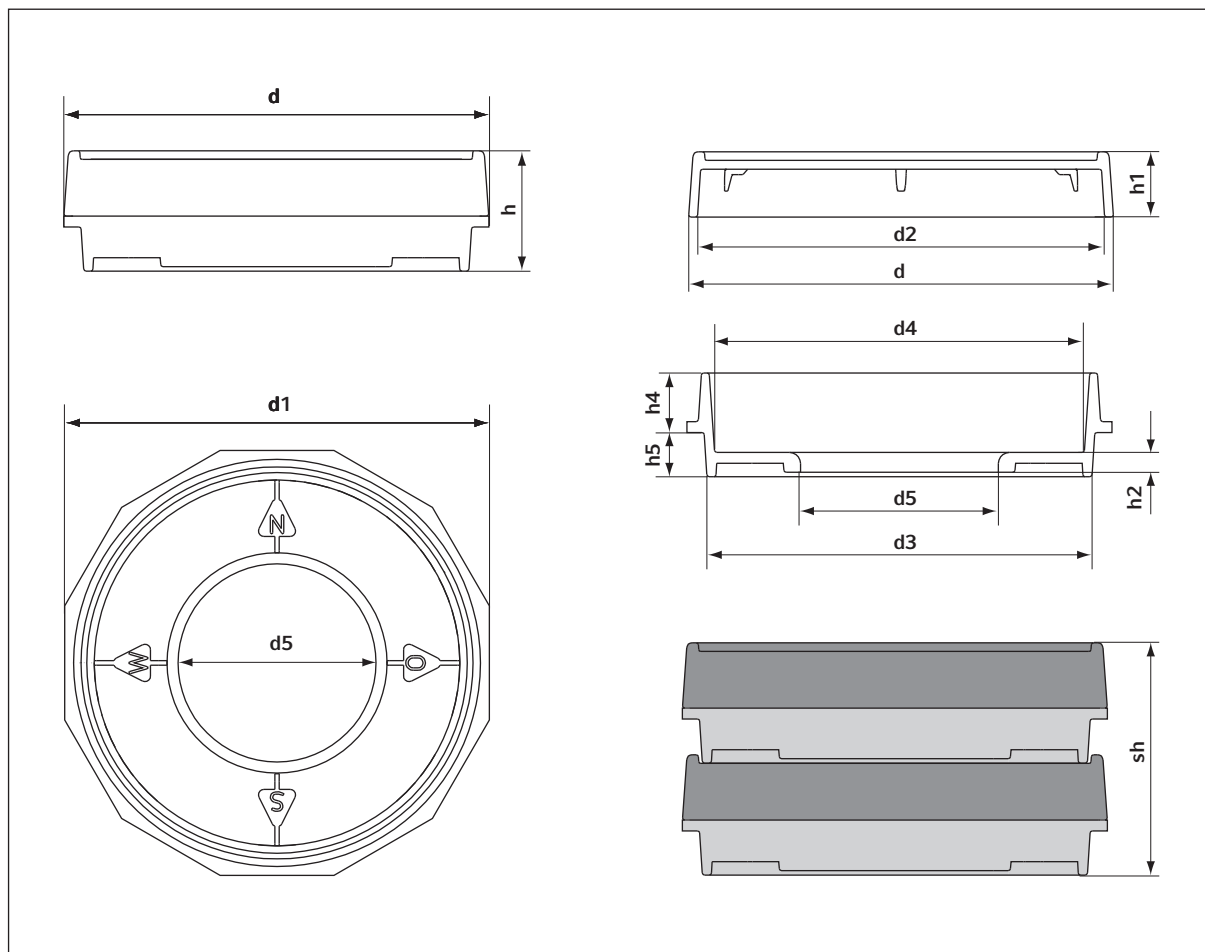


**Technical Data Sheet**  
 Eppendorf Cell Imaging Dish 35 mm  
 English (EN)



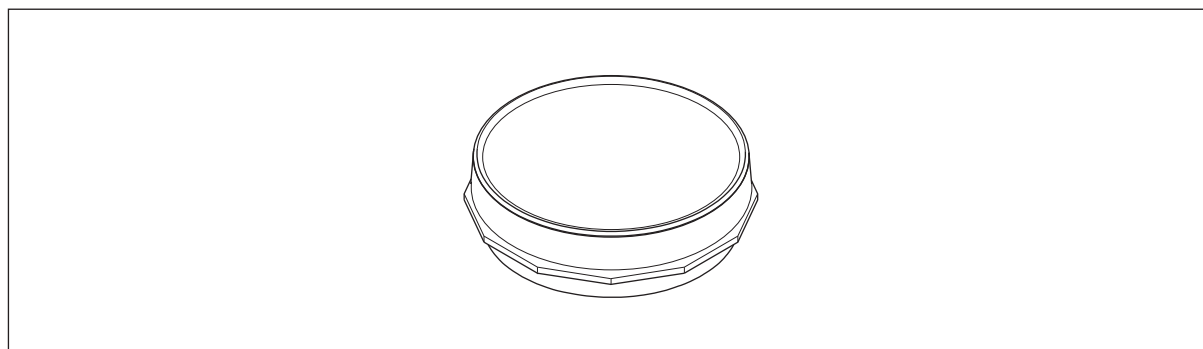
**Dimensions dish and lid [mm]**

Diameter dish with lid (d)	Dish width (d1)	Inner diameter lid (d2)
39.0	38.6	37.4
Outer diameter dish bottom (d3)	Inner diameter dish (d4)	Inner diameter bottom (d5)
35.0	33.6	18.0
Height dish with lid (h)	Lid height (h1)	Height imaging area (h2)
11.5	6.0	1.8
Dish height above handling ring (h4)	Dish height below handling ring (h5)	Thickness (bt)
4.4	4.0	0030 740.009: 145 µm 0030 740.017: 170 µm
<b>Stack height [mm]</b>		
with lid (sh)		
22.2		

## Technical Data Sheet

Eppendorf Cell Imaging Dish 35 mm

English (EN)



<b>Description</b>	0030 740.009: Eppendorf Cell Imaging Dish 145 µm 35 mm × 10 mm	0030 740.017: Eppendorf Cell Imaging Dish 170 µm 35 mm × 10 mm
<b>Dimensions</b>	Dish with lid: 39 mm × 11.5 mm (dxh)	
<b>Weight</b>	Dish 1.81 g, lid 1.65 g	
<b>Working volume</b>	Recommended working volume for imaging area: 0.5 mL – 0.75 mL Recommended working volume for total area: 2.5 mL	
<b>Growth area</b>	Imaging area: 2.54 cm <sup>2</sup> Total area: 8.87 cm <sup>2</sup>	
<b>Refraction index</b>	Glass bottom: 1.52	
<b>Abbe coefficient</b>	Glass bottom: 55	
<b>Material</b>	Glass bottom: borosilicate, hydrolytic class 1	
<b>Color</b>	Transparent	
<b>Operating temperature</b>	-20 °C to +50 °C	
<b>Centrifugability</b>	—	
<b>Autoclavable</b>	—	
<b>Shelf life</b>	5 years	
<b>Packing unit</b>	30 Dishes/case	2 Dishes/bag
<b>Lot-specific certificates</b>	Sterility: Sal 10 <sup>-6</sup> (according to ISO 11137-2:2007) Pyrogens: <0,001 EU/mL (according to Ph. Eur. 2.6.14) RNase: <10 <sup>-9</sup> Kunitz units DNase: <10 <sup>-6</sup> Kunitz units DNA: <2 pg	
<b>Certificates of quality</b>	Quality Assurance of surface properties. Products are non-cytotoxic according to DIN EN ISO 10993-5. Products are produced in a class 8 clean room (class 100,000) environment according to ISO 14644-1. Material suppliers of Eppendorf do not use or intentionally incorporate slip agents, biocides, plasticizers, bisphenol A or latex in the materials Eppendorf uses for the production of Eppendorf Cell Imaging Consumables.	
<b>Eppendorf Quality Management</b>	ISO 9001/13485/14001	

Your local distributor: [www.eppendorf.com/contact](http://www.eppendorf.com/contact)

Eppendorf AG · 22331 Hamburg · Germany

[eppendorf@eppendorf.com](mailto:eppendorf@eppendorf.com) · [www.eppendorf.com](http://www.eppendorf.com)