



Effortless Every Time

Redefine Centrifugation with SpinPro® 6 R

Redefine Centrifugation with SpinPro® 6 R

The SpinPro® 6 R is engineered with the modern scientist in mind, addressing pain points and inefficiencies associated with centrifugation. It is designed to streamline workflows, reduce downtime, and enhance the overall productivity of your lab. Whether conducting routine tasks or complex experimental protocols, the SpinPro® 6 R is your reliable partner, ensuring precise and consistent results every day and with every run, making centrifugation truly effortless.



Effortlessly flexible

- > Multiple rotors, vessels and adapters
- > From tubes to plates to bottles
- > One rotor – multiple applications

Effortlessly reliable

- > Rotor Lifetime Management
- > Rotor RFID Recognition

Effortlessly ergonomic

- > Electric lid
- > Eppendorf QuickLock® Pro rotor lids

Effortlessly intuitive

- > Adaptive display and light bar
- > Individual favorites
- > Touch-free user login
- > 19 languages

Effortlessly compliant

- > User Management
- > Advanced documentation
- > Easy integration into LIMS systems

Effortlessly sustainable

- > ACT 2.0 certification
- > Standby function
- > CO₂-based cooling



Your SpinPro® 6 R

In essence, the Eppendorf SpinPro® 6 R embodies more than 60 years of centrifuge engineering excellence and uncompromising user-centricity. It is a testament to our commitment to innovation and quality, pushing the boundaries of what a centrifuge can do for you. When you choose the SpinPro® 6 R, you are not just investing in a piece of equipment, but also in the future of your research and the success of your laboratory.



Effortless by Design



Effortlessly flexible
 > Multiple rotors, vessels and adapters
 > From tubes to plates to bottles

Effortlessly ergonomic
 > Electric lid drive
 > Eppendorf QuickLock® Pro rotor lids

Effortlessly compliant
 > User management
 > Advanced documentation
 > Easy integration into LIMS systems

Effortlessly reliable
 > Rotor Lifetime Management (RLM)
 > RFID rotor recognition

Effortlessly sustainable
 > ACT 2.0 certification
 > Standby function
 > CO₂-based cooling (GWP 1)

Effortlessly intuitive
 > Adaptive display and light bar
 > Individual favorites
 > Touch-free user login
 > 19 languages

The SpinPro® 6 R makes following applications more effortless than ever before:
 > Cell culture harvesting
 > Bacterial/yeast harvesting
 > Processing of clinical samples
 > Isolation of DNA/RNA/proteins
 > PBMC isolation and tissue dissociation



Rotors and Features

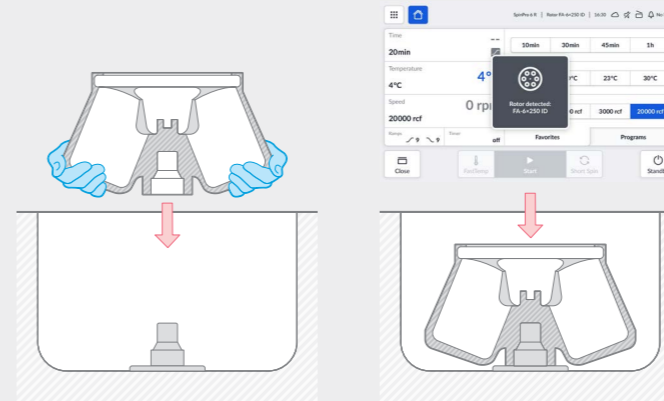
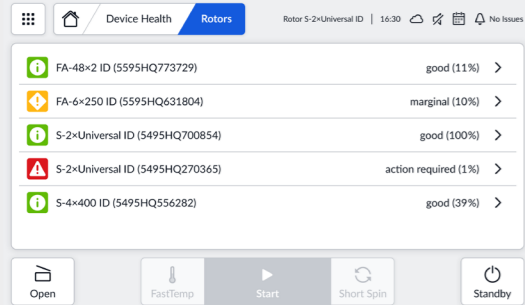
Versatile rotor portfolio:

A comprehensive selection of rotors ensures you have the right tool for every application. Our diverse range of rotors allows you to handle various vessel types and volumes, making the SpinPro® 6 R adaptable to a wide array of laboratory needs. Whether you are working with delicate samples or conducting standard applications like cell harvesting, our rotors deliver consistent performance and reliability.



Rotor Lifetime Management:

Optimize rotor usage and increase safety with our rotor lifetime management system. Each rotor tracks its usage and cycles independently from the centrifuge. Alerts are generated when the rotor is nearing the end of its lifecycle, ensuring your rotors are always in peak condition. This proactive monitoring of rotor age prevents unexpected downtime and helps to maintain a safe laboratory environment.



Eppendorf QuickLock® Pro rotor lids:

The new Eppendorf QuickLock® Pro mechanism enhances rotor lid handling with one-handed operation for quick and convenient use. The improved sealing minimizes leaks and reduces the need for replacements, while securely locking the rotor at high speeds for increased safety. These upgrades streamline setup and enhance lab efficiency.

Instant rotor recognition:

Utilize RFID technology for an instant automatic rotor identification. This feature significantly reduces the risk of user error by ensuring that the centrifuge automatically adjusts the selectable running parameters to match the installed rotor.





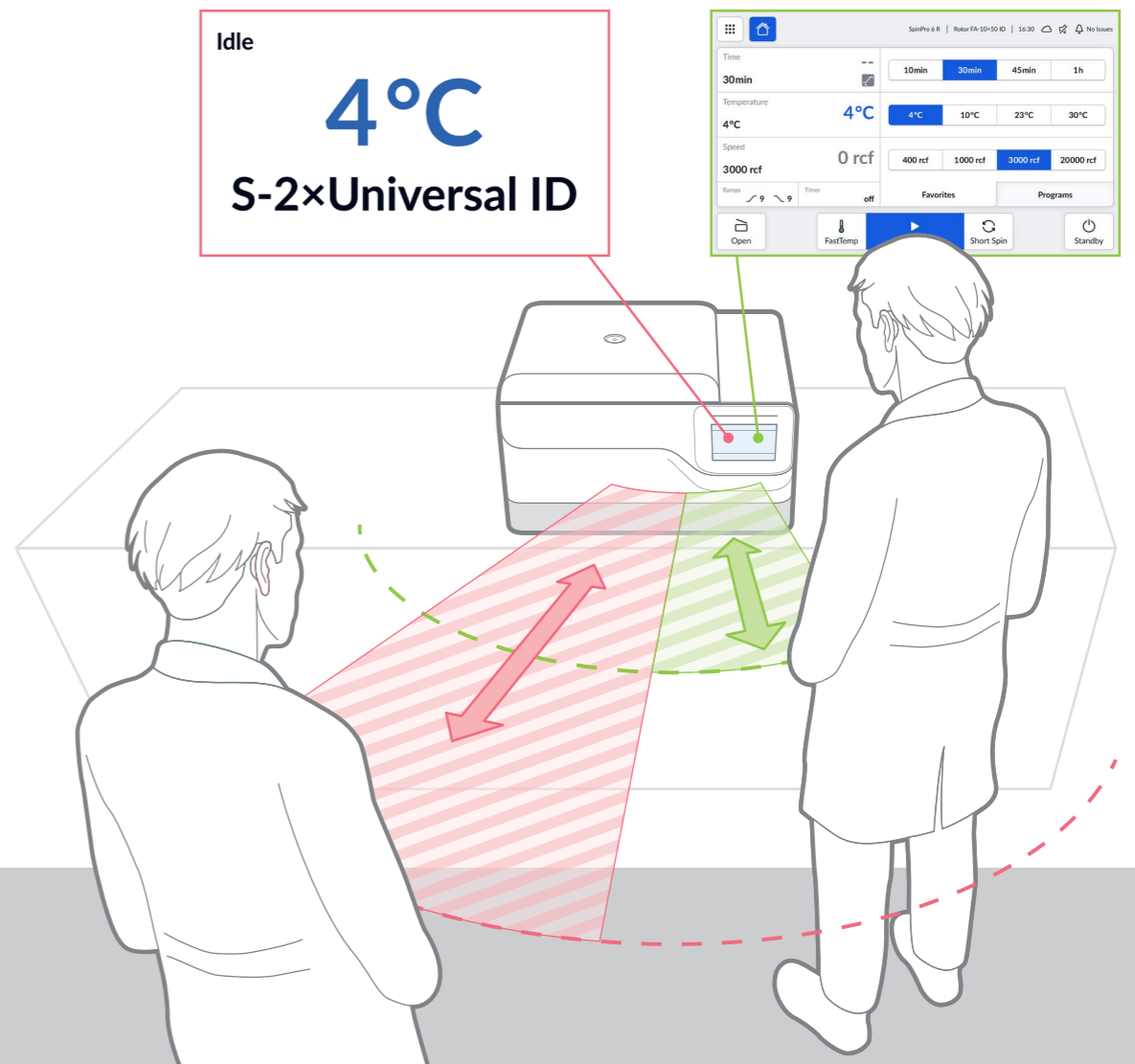
Seamless Operation



Touch-free user login and user management system: RFID chip technology provides secure, easy access and a seamless login experience, ensuring only authorized personnel use the device. This feature simplifies login by eliminating manual steps, saving time, and automatically customizing settings such as language, favorites, and programs to fit user preferences. Easily adjust the centrifuge to your requirements, monitor access with VisionNize® Lab Suite, and maintain lab security.

Multilingual software: Operate the SpinPro® 6 R in your preferred language with 19 supported languages. Users from diverse backgrounds can easily operate the centrifuge, reducing the risk of miscommunication and errors.

Motion sensor with adaptive display: The adaptive display reacts to your presence by detecting your distance from the screen. This intelligent technology guarantees important information is always visible and accessible – even from far away.





Connectivity and Control

Integration options:

Streamline your data and utilize measured parameters like speed and temperature with your third-party monitoring or data logging systems. Laboratory Information Management Systems (LIMS) or Electronic Lab Notebooks (ELNs) can, for example, access data directly by using the application programming interface (API) within your network.

Stay ahead and benefit from the latest innovations and features: thanks to the built-in over-the-air update function, your centrifuge will evolve over time.

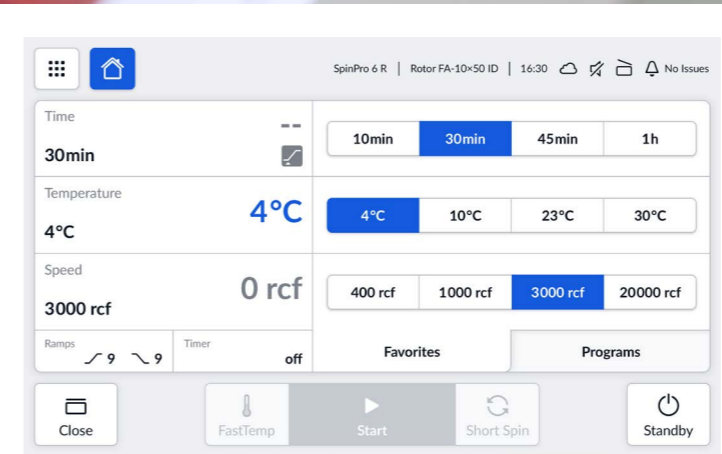
VisioNize® Lab Suite:

For an optimal and seamless connectivity experience, Eppendorf offers VisioNize® Lab Suite to track your centrifuge, anytime, anywhere.

By connecting Eppendorf devices to VisioNize® Lab Suite, you can:

- > Remotely monitor device performance
- > Receive notifications if there is an event
- > Gain access to and export device information, user access and parameter records

Enjoy a free basic subscription for the first 3 connected devices.

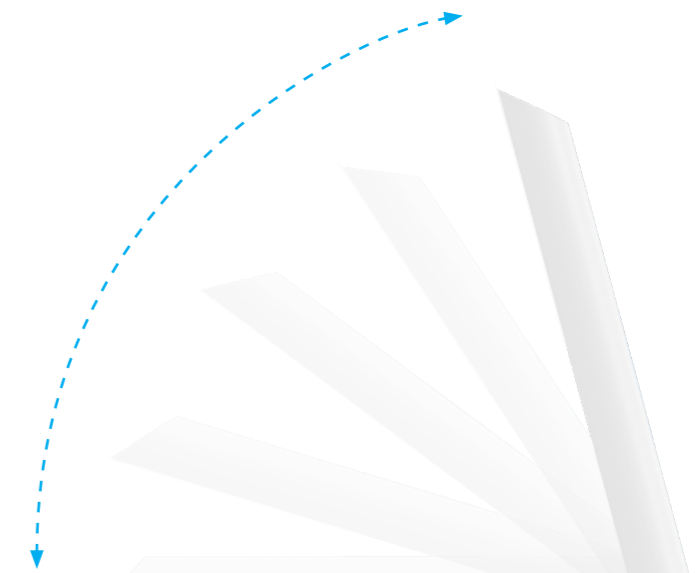


Intuitive touchscreen Interface:

Easily navigate our intuitive graphical user display, designed to enhance efficiency and productivity with its user-friendly touchscreen experience. Clear visuals and responsive controls allow you to quickly set up and run centrifugation protocols with minimal effort, even when wearing gloves.

Electric lid drive:

The SpinPro® 6 R features an electric lid drive that opens and closes automatically at the press of a button. By automating the lid operation, we reduce manual handling, enhance user safety, ensure quick and safe sample access, and improve overall laboratory efficiency.



Tested for Robustness

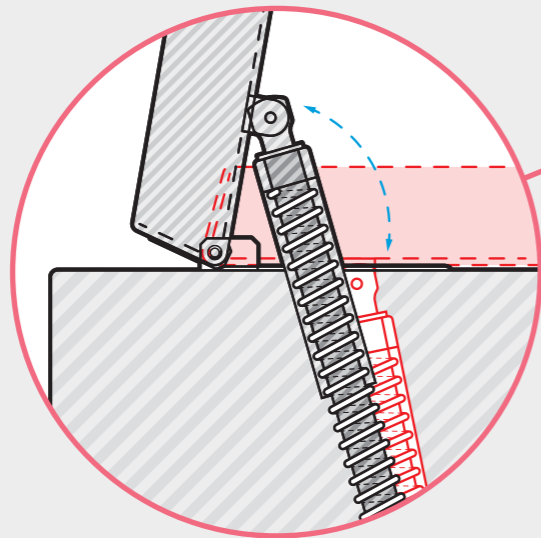
The SpinPro® 6 R is designed for long-term, worry-free operation – even in demanding, high-throughput labs. Its key components undergo extensive lifetime testing under realistic and intensified conditions. These tests translate into dependable operation across low, medium, and high usage scenarios, with all critical parts available as service-replaceable components.

As one example of our rigorous test regimes, the electrical lid system (drive, hinge, and lock) is cycled far beyond typical daily use to verify reliable performance over many years.

10+ years

Lid drive

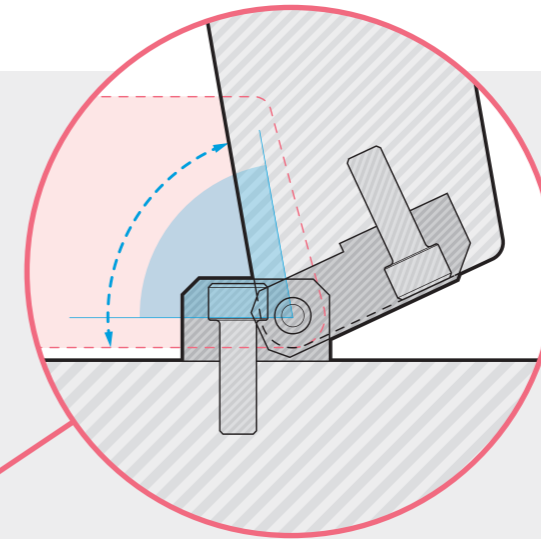
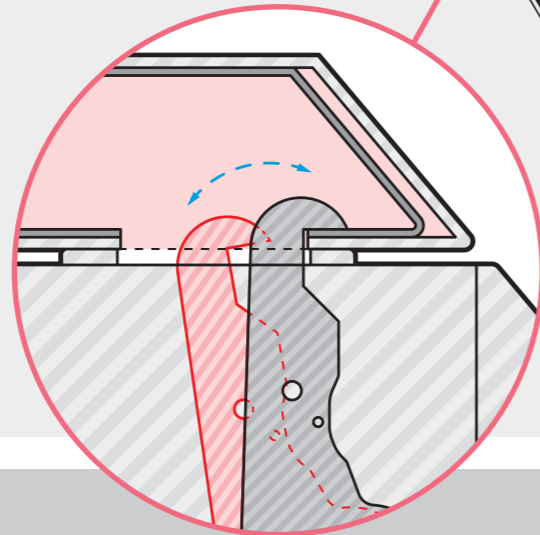
- > Tested 150,000 cycles (alone)
- > Tested 90,000 cycles (with lid)
- > Lifetime equivalent: 10+ years
- > Exchangeable



40+ years

Lid lock

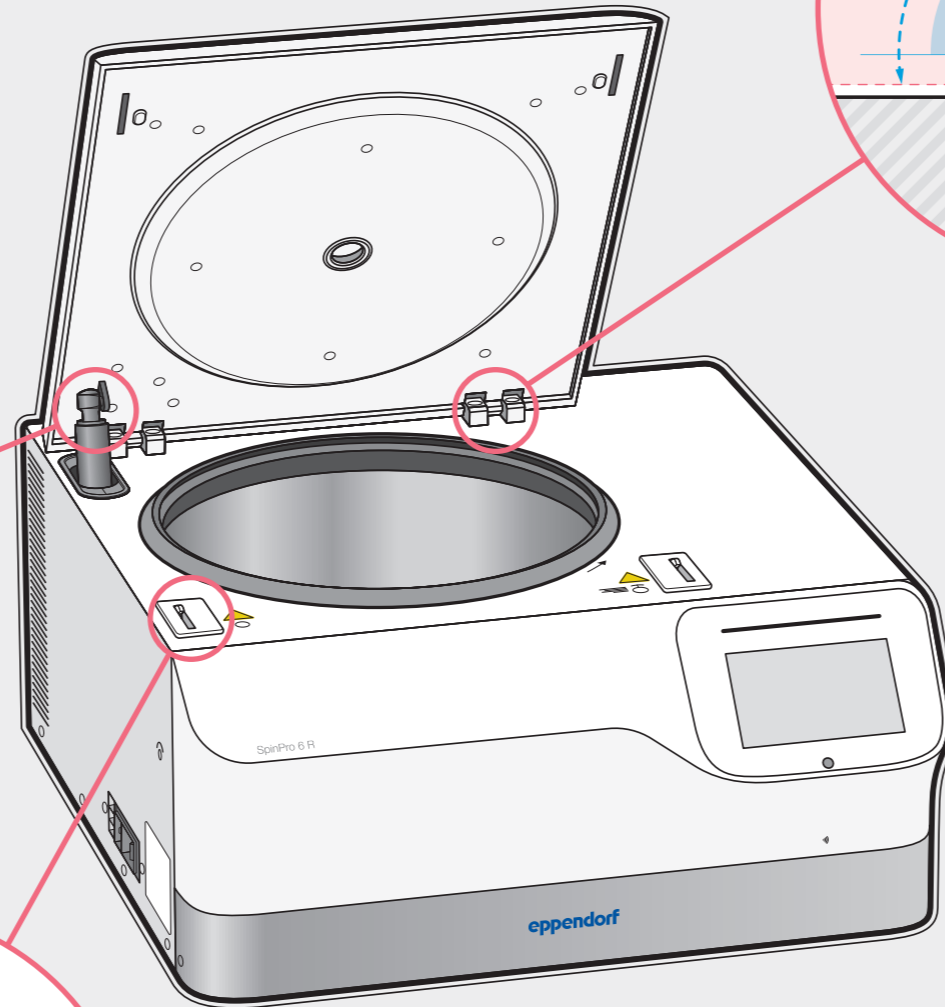
- > Tested 325,000 cycles (alone)
- > Lifetime equivalent: 40+ years
- > Exchangeable



10+ years

Lid hinge

- > Tested 90,000 cycles
- > Lifetime equivalent: 10+ years
- > Exchangeable



Lifetime overview

	Cycles	Low usage	Mid usage	High usage
Lid drive	90,000	30+ years	15+ years	10+ years
Lid hinge	90,000	30+ years	15+ years	10+ years
Lid lock	325,000	120+ years	60+ years	40+ years

Usage calculation

Usage	Cycles/day	Avg. cycle duration	Days/week	Weeks/year	Cycles/year	Hours/year
Low	10	15 min	5	52	2,600	650 h
Mid	20	15 min	5	52	5,200	1,300 h
High	30	15 min	5	52	7,800	1,950 h

Special tests

Additional stress tests, including hundreds of random parameter and maximum speed runs, operation at high humidity and cooling stress tests, confirm that SpinPro® 6 R remains safe, stable, and fully functional, so users can focus on their samples instead of their centrifuge.

Overview of Rotors

With the SpinPro® 6 R, choose rotors that match your applications, whether handling delicate low volume samples or harvesting applications in large volumes. Our selection of rotors enable the use of a wide range of vessels. In addition, they offer fast and easy one hand operation via Eppendorf QuickLock® Pro rotor lids, recognition via RFID chips, aerosol-tight closing and outstanding cooling performance.



Rotor S-2xUniversal ID

Process a broad range of various samples in different vessel types in this swing-bucket rotor, benefiting from our universal adapter concept.

Max. capacity: 2 x 1,000 ml

Max. RCF: 4,302

Aerosol tight

Lifetime*: ~ 19 years (50,000 cycles)

This fixed-angle rotor offers a convenient combination of high speeds and large capacity for your application.

Max. capacity: 6 x 250 ml

Max. RCF: 10,000

Aerosol tight

Lifetime*: ~ 25 years (70,000 cycles)



Rotor FA-6x250 ID

This fixed-angle rotor enables various high speeds applications such as the separation of bacteria, nucleic acids or proteins.

Max. capacity: 10 x 50 ml

Max. RCF: 15,000

Aerosol tight

Lifetime*: ~ 30 years (84,000 cycles)



Rotor FA-10x50 ID

This fixed-angle rotor enables handling of high sample numbers in 1.5 mL and 2.0 mL reaction tube format.

Max. capacity: 48 x 2.0 ml

Max. RCF: 20,000

Aerosol tight

Lifetime*: ~ 38 years (100,000 cycles)



Rotor FA-48x2 ID



Rotor FA-30x2 ID

This fixed-angle rotor enables convenient handling of sample numbers in 1.5 mL and 2.0 mL reaction tube format with a low loading rim.

Max. capacity: 30 x 2.0 ml

Max. RCF: 20,000

Aerosol tight

Lifetime*: ~ 38 years (100,000 cycles)

* Lifetime calculation is based on 10 cycles per day, 5 days per week, 52 weeks per year.

Adapter Overview Rotor S-2xUniversal ID



Ordering information	
Description	Order no.
Aerosol-tight caps, for Rotor S-2xUniversal ID, set of 2 pcs.	5910 750 005
Wide-neck bottle 750 mL, for Rotor S-4-104, S-4x750, S-4x1000, set of 2 pcs.	5820 708 000
Wide-neck bottle 1,000 mL, for Rotor S-4-104, S-4x750, S-4x1000, set of 2 pcs.	5910 770 006

Universal Adapters for Rotor S-2xUniversal ID



Universal adapter 1
Setup for deepwell plates and Eppendorf Tubes® 5.0/15 mL.



Universal adapter 2
Setup for microplates and 25/50 mL conical tubes.



Universal adapter 3
Setup for 25/50 mL conical tubes, 250 mL bottles and microplates.

Rotor S-2xUniversal ID brings outstanding versatility to those customers who need to spin a variety of vessels and plates. Three innovative universal adapters accommodate a selection of tubes, plates and bottles:

- > Adapter 1: 5.0 mL and 15 mL conical tubes, MTP/DWP
- > Adapter 2: 25 mL and 50 mL conical tubes, MTP
- > Adapter 3: 25 mL and 50 mL conical tubes, 250 mL bottles, MTP

For customers who need either stacking capability, higher speed or aerosol-tight centrifugation of certain plate formats, a separate plate carrier is available.

Adapters for Rotor S-2xUniversal ID	4 mL–8 mL	7.5 mL–12 mL	9 mL	1.5 mL–2 mL	12 x 75 mm, 5 mL FACS	50 mL conical, skirted	500 mL Corning®	750 mL	1,000 mL	MTP, DWP, PCR plates
Max. tube diameter	13 mm	16 mm	17.5 mm	11 mm	12 mm	31 mm	96 mm	102 mm	118 mm	–
Max. vessel height	119 mm	120 mm	120 mm	–	112 mm	124 mm	148 mm	139 mm	133 mm	80 mm
Max. vessel height for use with cap/lid¹⁾	117 mm	118 mm	118 mm	43 mm	107 mm	121 mm	–	135 mm	133 mm	66 mm
Adapter										
Number of vessels per adapter/rotor	30/60	26/62	21/42	46/92	46/92	7/14	1/2	1/2	1/2	5/10
Bottom shape	round	round	round	flat	round	flat	conical	flat	flat	flat
Centrifugation radius	190 mm	195 mm	188 mm	187 mm	189 mm	185 mm	187 mm	188 mm	188 mm	170 mm
Max. RCF	4,302 x g	4,415 x g	4,256 x g	4,233 x g	4,279 x g	4,188 x g	4,234 x g	4,256 x g	4,256 x g	3,849 x g
Packing	set of 2 pcs.	set of 2 pcs.	set of 2 pcs.	set of 2 pcs.	set of 2 pcs.	set of 2 pcs.	set of 2 pcs.	set of 2 pcs.	set of 2 pcs.	set of 2 pcs.
Order no.	5910 755 007	5910 754 000	5910 762 003	5910 763 000*8	5910 758 006	5910 764 006	5910 760 000	5910 757 000	5910 756 003	5910 753 004

¹⁾ Please perform a manual test to determine the actual loading capacity.
²⁾ Aerosol-tight caps compatible with MTP, DWP 96 500 µl, DWP 384 200 µl.
³⁾ Aerosol-tight caps not compatible with DWP 96 1,000 µl and 2,000 µl.
⁴⁾ Please order adapter for 25 mL conical tubes snap cap 5820 733 004.

⁴⁾ When used with aerosol-tight caps the max. capacity is reduced to 20 x 50 mL (5 x 50 mL per adapter).
⁵⁾ Please order adapter for 25 mL conical tubes screw cap 5820 734 000.
⁶⁾ Please note that these conical bottles need to be used together with a conical form insert provided by the manufacturer.

Eppendorf Tubes® 5.0 mL	15 mL conical	MTP, DWP	25 mL snap cap ³⁾	25 mL screw cap ⁵⁾	50 mL screw cap	Microplate 96/384 wells	25 mL snap cap ³⁾	25 mL screw cap ⁵⁾	50 mL conical	45 mL snap cap	Microplate 96/384 wells	250 mL flat, 175–225 mL conical ⁶⁾
17 mm	17 mm	–	30 mm	30 mm	30 mm	–	30 mm	30 mm	30 mm	30 mm	–	62 mm
124 mm	124 mm	64 mm	83 mm	78.5 mm	116 ⁴⁾ mm	16 mm	83 mm	78.5 mm	124 mm	133 mm	16 mm	146 mm
122 mm	122 mm	²⁾	83 ⁴⁾ mm	78.5 ⁴⁾ mm	116 ⁴⁾ mm	–	83 mm	78.5 mm	121 mm	133 mm	–	139 mm
17/34	17/34	1/2	9/18	9/18	9/18	1/2	7/14	7/14	7/14	7/14	1/2	1/2
conical	conical	flat	conical	conical	conical	flat	conical	conical	conical	conical	flat	flat
191 mm	191 mm	143 mm	107 mm	156 mm	192 mm	115 mm	107 mm	155 mm	191 mm	188 mm	115 mm	187 mm
4,324 x g	4,324 x g	3,237 x g	3,758 x g	3,531 x g	4,347 x g	2,604 x g	3,735 x g	3,509 x g	4,324 x g	4,256 x g	2,604 x g	4,234 x g
set of 2 pcs.	set of 2 pcs.	set of 2 pcs.	set of 2 pcs.	set of 2 pcs.	set of 2 pcs.	set of 2 pcs.	set of 2 pcs.	set of 2 pcs.	set of 2 pcs.	set of 2 pcs.	set of 2 pcs.	set of 2 pcs.
	5910 752 008			5910 769 008					5910 751 001			



Your Service Options

Our Service Agreements – Your Advantages

With our basket of Service Agreement solutions, we take the load off your shoulders by simplifying your ordering and budgeting process for various services over the full lifetime of your instruments.

Your costs become reduced and predictable, thereby assuring continuous productivity and a long service life. In addition, our agreements include repair costs – fully or partially – and discounts on other services.

Qualification Services

IQ and OQ services – Support GxP compliance

Are you working in a regulated environment? We offer specifically created Installation Qualification (IQ) and Operational Qualification (OQ) services including supportive GxP compliant documentation. These documents

support the complex GxP standards and regulations, reducing your administrative workload, and provide you with qualified assurance that your instrument is installed and operating in accordance with manufacturer's specifications.

Eppendorf Service Agreements



Services Agreement	AdvancedCare For assured instrument reliability and uptime	PremiumCare For assured instrument reliability, uptime and financial plannability
Full preventive maintenance	1/year	1/year
Priority support*1	■	■
Parts, labor, travel on repairs	20% discount	included
Discount on additional services (e.g. IQ/OQ)	10%	10%

*1 Subject to local business conditions, and based on a »best-effort« practise. For more information please contact your local service organization.



Installation Qualification & Operational Qualification services	IQ/OQ GxP	OQ GxP
Check of delivery status, and installation environment	■	-
Installation incl. configuration and functional checks	■	-
Detailed IQ report	■	-
Test of notification functions	■	■
Verification of instrument parameters (e.g. temperature, speed)	■	■
Detailed OQ report and handling of deviation list	■	■
Signed approval by customer and service technician	■	■

SpinPro® 6 R at a Glance

Key Features

Sustainability

- > CO₂-based cooling systems (GWP 1)
- > ACT 2.0 ecolabel

Convenience and Compliance

- > Enhanced safety with RFID rotor recognition and rotor lifetime tracking
- > Favorite function for setting parameters within seconds
- > Automatic lid drive
- > Advanced user management

Versatility

- > Rotor S-2xUniversal ID to spin a wide range of vessels without changing the rotor or buckets
- > Rotor 6x250 ID high-capacity with aerosol-tight Eppendorf QuickLock® Pro rotor lid

Additional Features

- > Multilingual 7-inch touch interface for easy operation
- > Motion and ambient light sensor
- > Status light bar for visual monitoring
- > Automatic imbalance detection
- > Advanced documentation features support CFR 21 Part 11 compliance

Certifications and Registration

Company

- > ISO 9001
- > ISO 14001
- > ISO 13485

Centrifuge

- > EU Declaration of Conformity (incl. all relevant directives and safety standards)
- > Factory acceptance test/Inspection report
- > Certificate of containment testing for aerosol-tight rotors

Technical specifications

Maximum speed	
Max RCF	
> Fixed angle rotors	20,020 × g
> Swing-bucket rotor	4,302 × g
Max. rotational speed	13,500 rpm
Max. capacity	2 × 1 L
Max. power consumption	2,160 W
Noise level	< 70 dB(A)
Temperature range	-11 °C to 40 °C

Materials of construction and refrigerant

Housing	Galvanized steel with chemical resistance powder coating
Front part and outer lid	Flame-retardant thermoplastic
Rotor bowl	Stainless steel
Fixed-angle rotors	Aluminum
Swing-bucket rotor	Aluminum
Refrigerant	R744 (250 g)

Dimensions

W x D x H	706 × 745 × 385 mm
Height with open lid	867 mm
Footprint	
> Base plate	700 × 700 mm
> Foot spacing	515 × 598 mm
Weight (w/o accessories)	100 kg
Shipping weight	132 kg

Ordering Information

Ordering information

Description	Order no.
Centrifuge SpinPro® 6 R, refrigerated	See link below table
Rotor	
Rotor S-2xUniversal ID	5595 700 001
Rotor FA-6x250 ID	5595 705 003
Rotor FA-30x2 ID	5595 707 005
Rotor FA-48x2 ID	5595 709 005
Rotor FA-10x50 ID	5595 703 002

For ordering information, please check our local website or contact your local sales representative.

www.eppendorf.link/spinpro6r-centrifuge

This product is available as IVD/MD device in selected countries. For more information please contact your local sales representative.

www.eppendorf.link/contact

Your local distributor: www.eppendorf.com/contact
Eppendorf SE · Barkhausenweg 1 · 22339 Hamburg · Germany
eppendorf@eppendorf.com · www.eppendorf.com

www.eppendorf.com

Corning® is a registered trademark of Corning Inc., USA.

Eppendorf®, the Eppendorf Brand Design, SpinPro®, VisioNize® and Eppendorf QuickLock® Pro are registered trademarks of Eppendorf SE, Germany. All rights reserved, including graphics and images. Copyright © 2026 by Eppendorf SE. Order No.: AA01 053 120/EN1/PDF/0326/SSO