



Reaction vessels with snap cap

Eppendorf Tubes[®] Snap Cap

Technical Data Sheet

Copyright © 2025 Eppendorf SE, Germany. All rights reserved, including graphics and images. No part of this publication may be reproduced without the prior permission of the copyright owner.

Eppendorf® and the Eppendorf Brand Design are registered trademarks of Eppendorf SE, Germany.

Eppendorf trademarks and trademarks of third parties may appear in this manual. All trademarks are the property of their respective owners. The respective trademark name, representations and listed owners can be found on www.eppendorf.com/ip.

U.S. Patents and U.S. Design Patents are listed on www.eppendorf.com/ip.

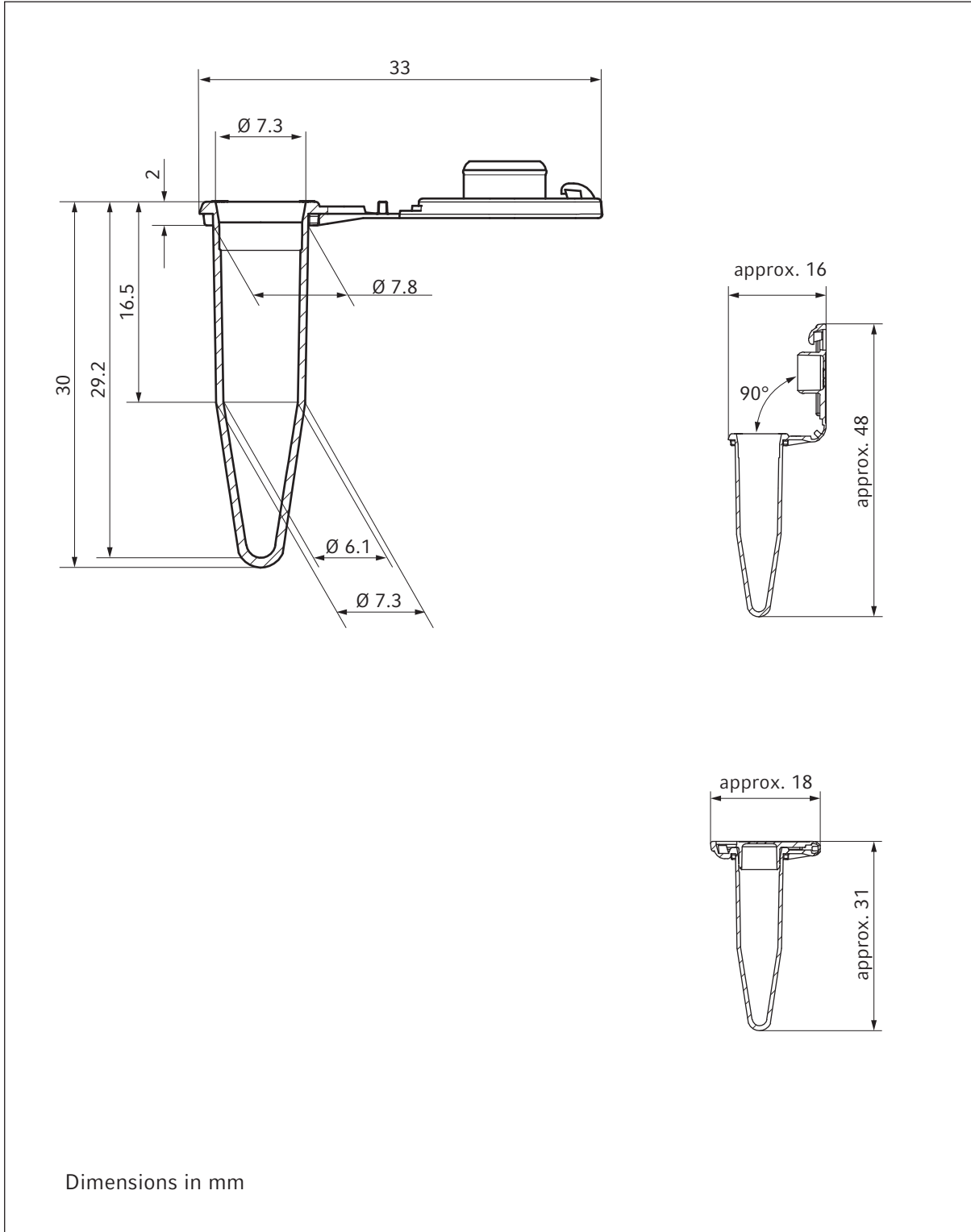
Dimensions

The specified dimensions for the reaction vessels apply to the following product versions:

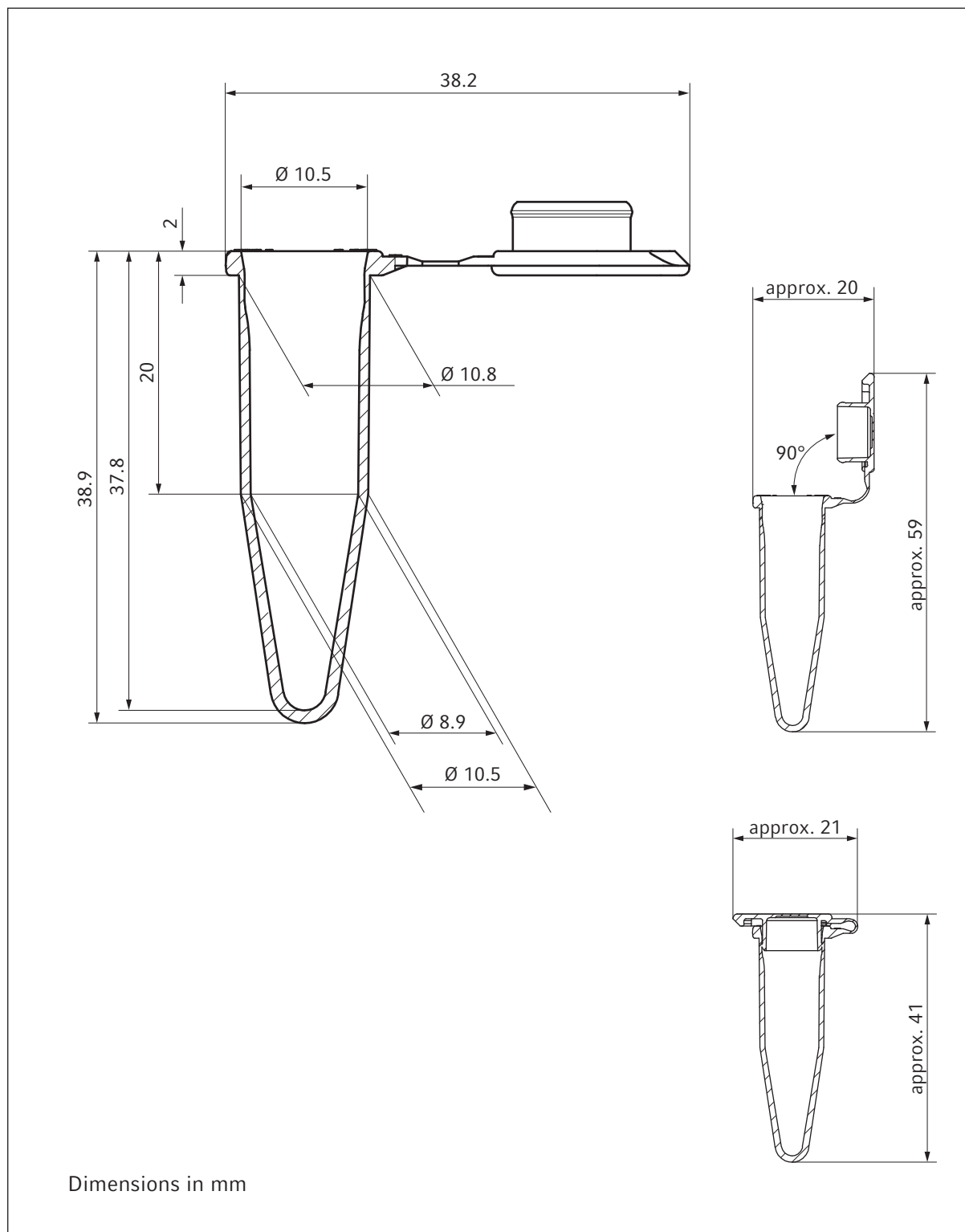
- Color versions
- LoBind versions
- BioBased versions
- SafeCode versions
- Purity grades

Dimensions

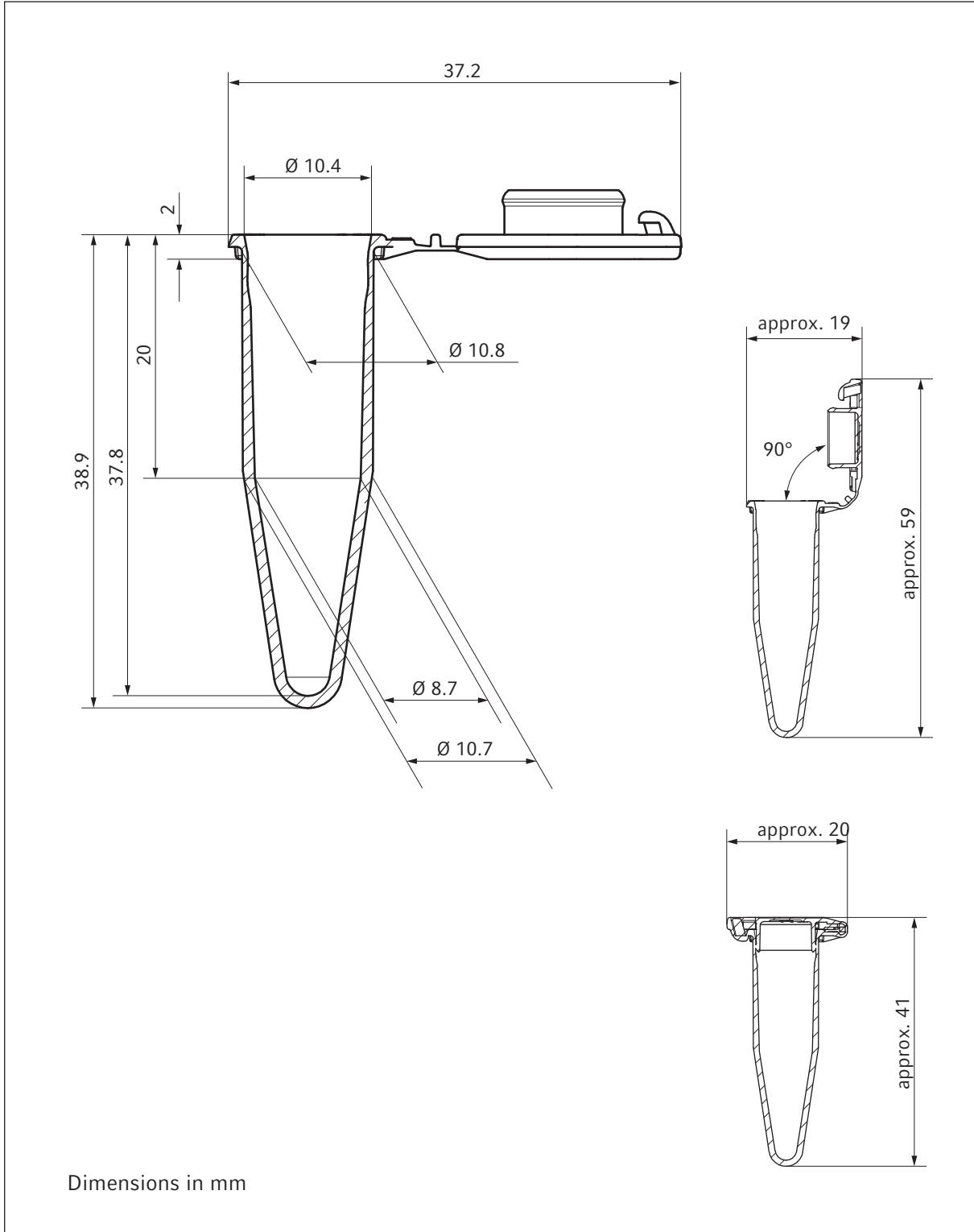
Eppendorf Tubes® Snap Cap
English (EN)

Safe-Lock Tubes 0.5 mL

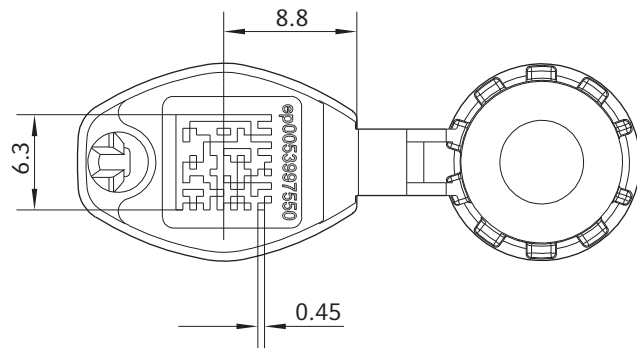
Eppendorf Tubes 3810X



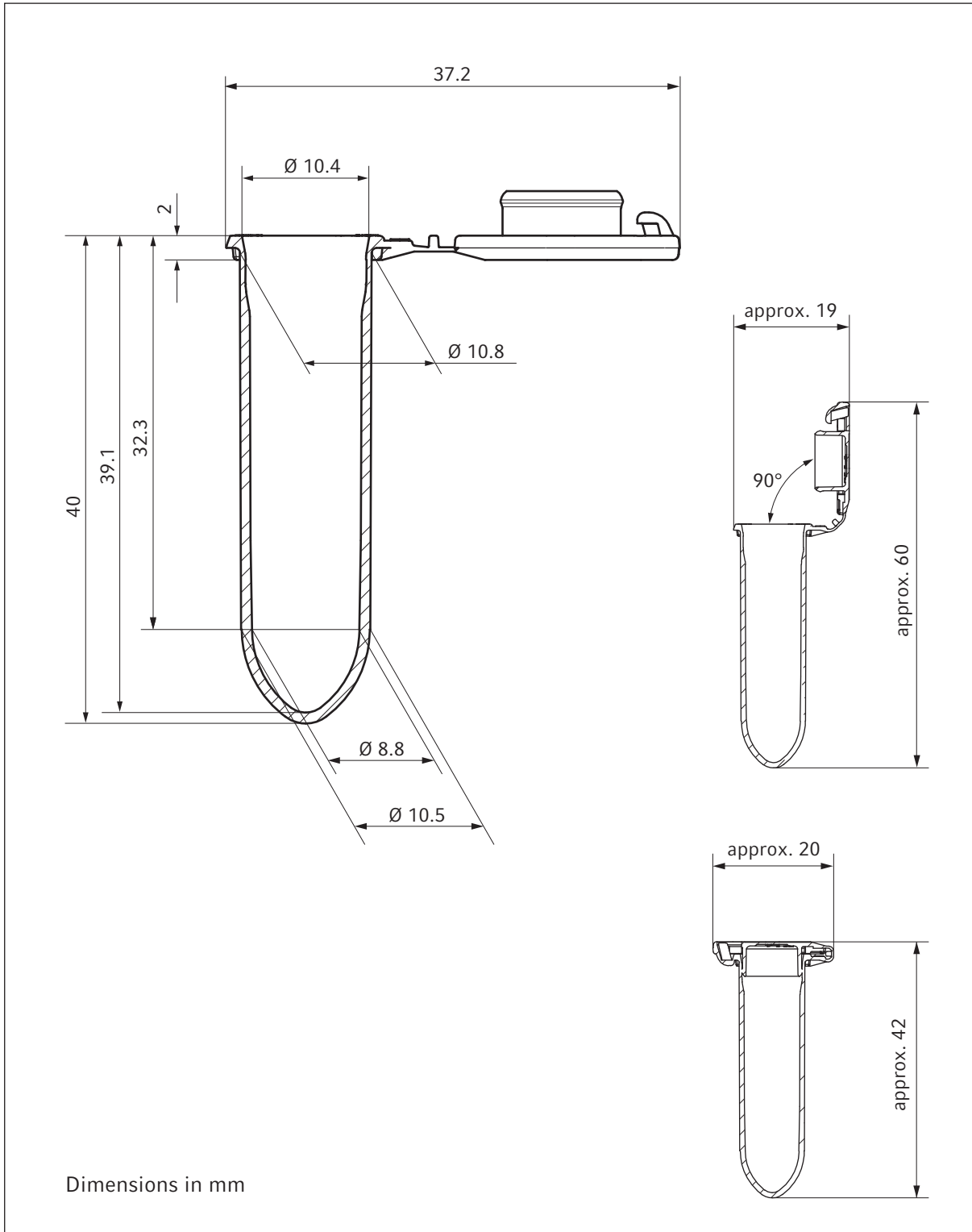
Safe-Lock Tubes 1.5 mL



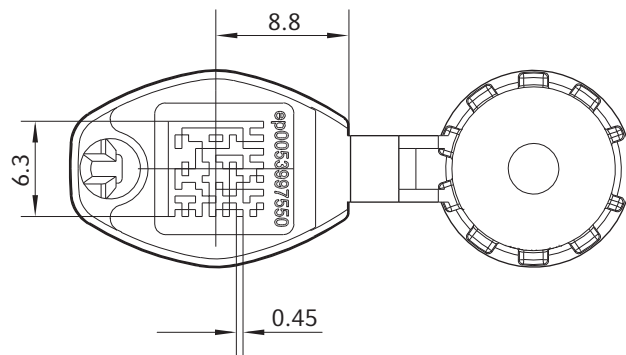
Safe-Lock Tubes 1.5 mL, 2D SafeCode



Dimensions in mm

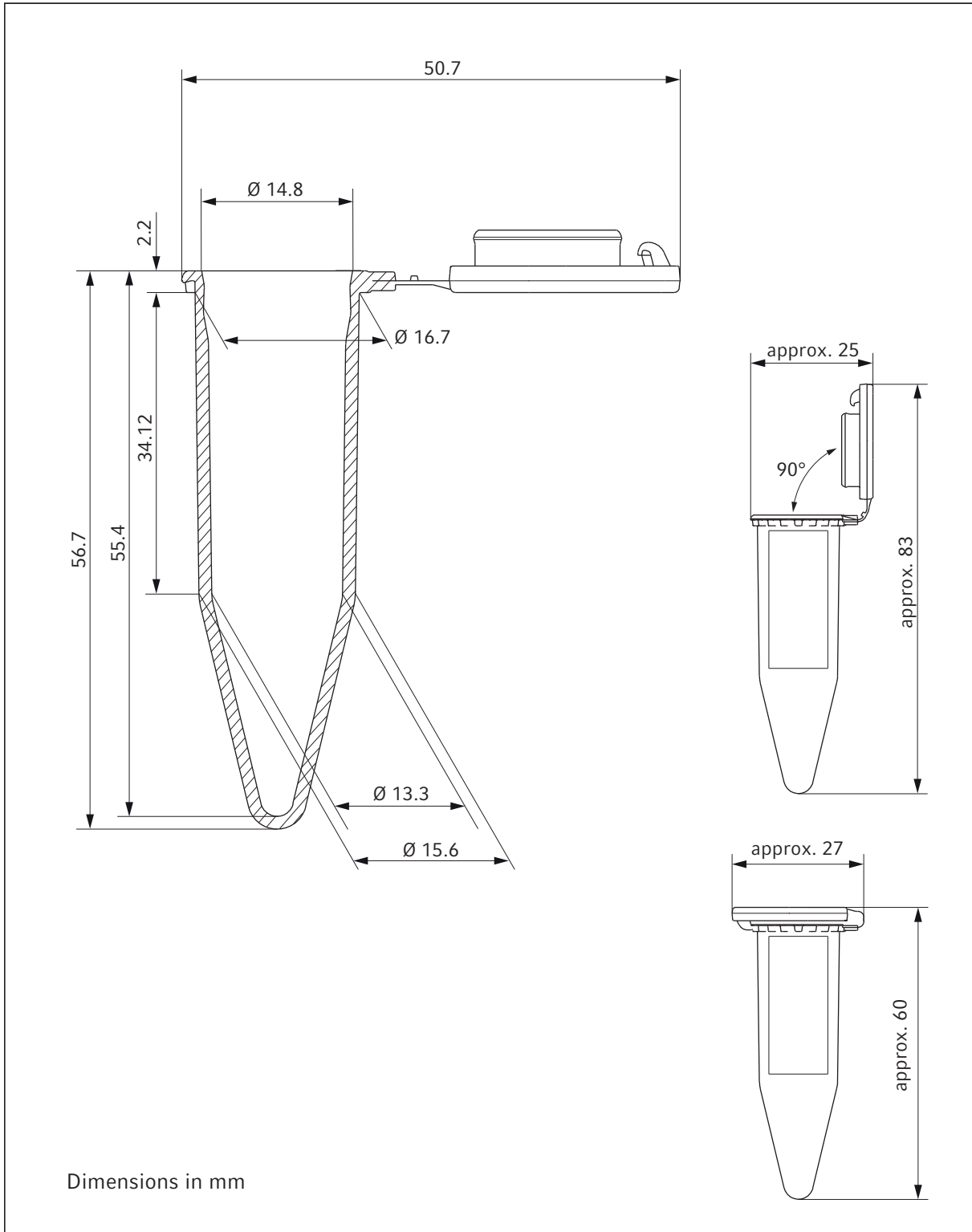
DimensionsEppendorf Tubes® Snap Cap
English (EN)**Safe-Lock Tubes 2.0 mL**

Safe-Lock Tubes 2.0 mL, 2D SafeCode

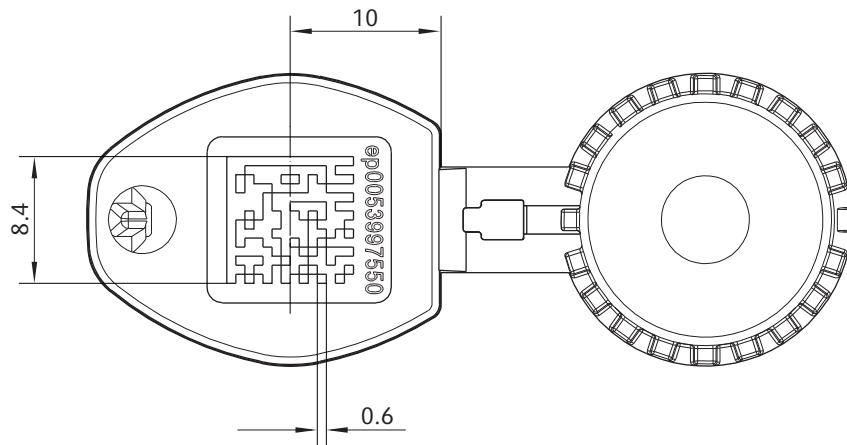


Dimensions in mm

Eppendorf Tubes 5.0 mL

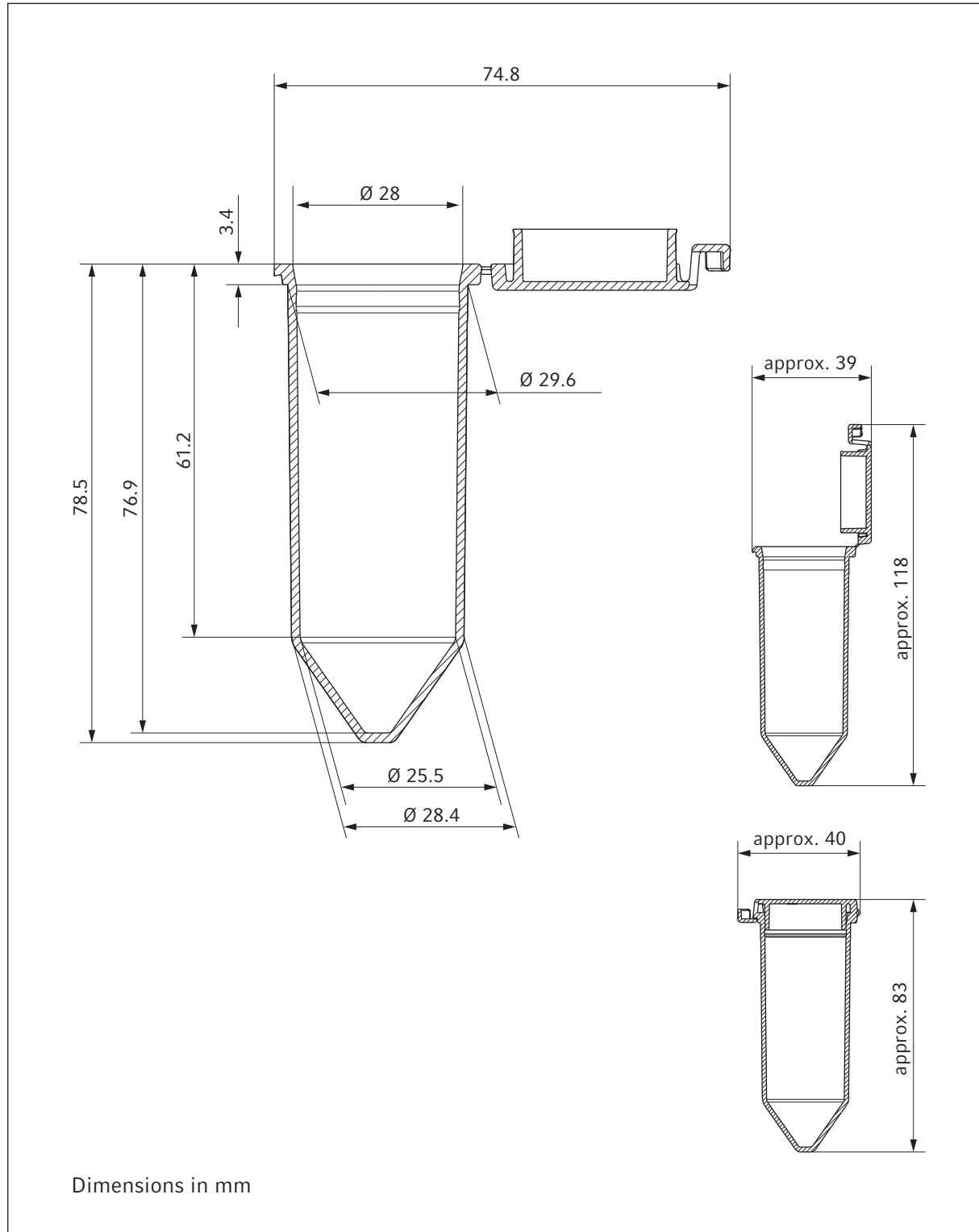


Eppendorf Tubes 5.0 mL, 2D SafeCode

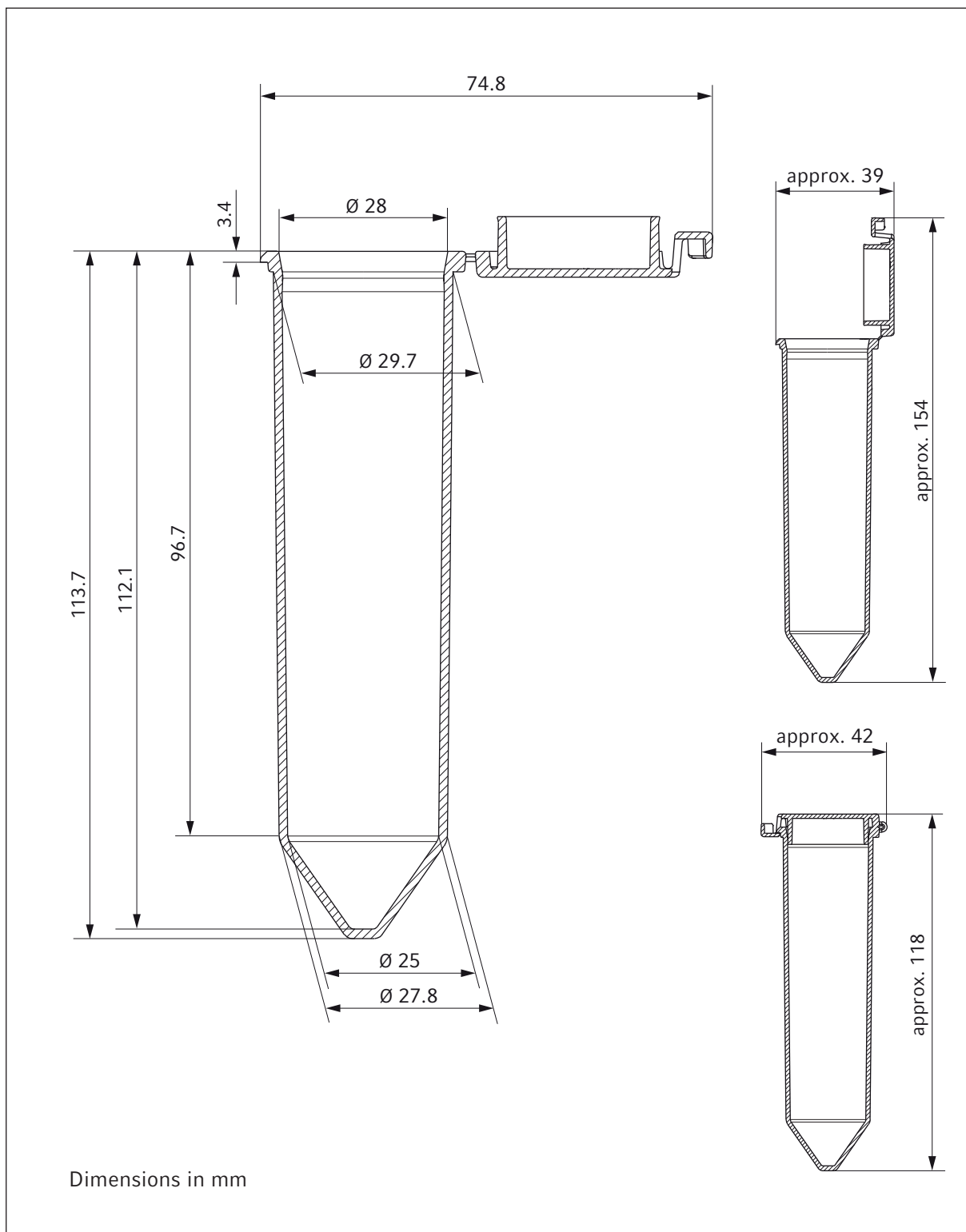


Dimensions in mm

Conical Tubes 25 mL, SnapTec cap



Conical Tubes SnapTec 50



Dimensions in mm

