

Instructions for use Flexible Discharge Tube English (EN)

This document is a supplement to the operating manual for Varispenser® 2 and Varispenser® 2x and not a substitute. Therefore, also read the operating manual. The current version can be found on the Internet at www.eppendorf.com/manuals.

1 Product description 1.1 Product overview

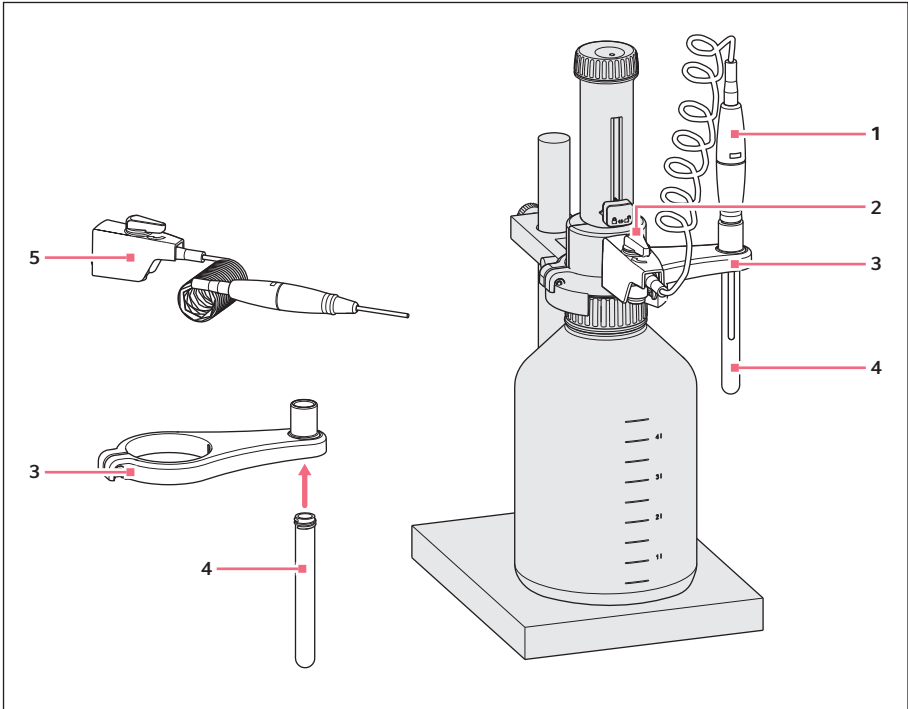


Fig. 1: Delivery package and Varispenser 2x assembly example

- | | |
|--|---|
| 1 Flexible discharge tube with safety handle | 4 Collection tube |
| 2 Valve toggle | 5 Canula arm with flexible discharge hose |
| 3 Tube holder | |

2 Instructions for use

Flexible Discharge Tube

English (EN)

1.2 Features

The flexible discharge tube facilitates serial dispensing with the dispenser. The maximum length of the tube is 800 mm.

To achieve the values for accuracy and coefficient of variation specified for the dispenser, comply with the following conditions:

- Dispensing of volumes > 2 mL
- Slowly and evenly pull the piston up until the stop
- Slowly and evenly push the piston down

2 Installation

2.1 Mounting the flexible discharge tube



When dispensing aggressive liquids, additionally use a protective screen. For cleaning, rinse the flexible discharge tube, do not dismantle.

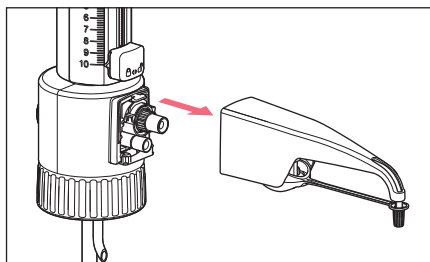


Use a bottle stand to prevent the reagent bottle from tipping over. To help avoid reagent splashing from the canula, always grip the flexible discharge tube firmly and place it in the collecting tube after use.

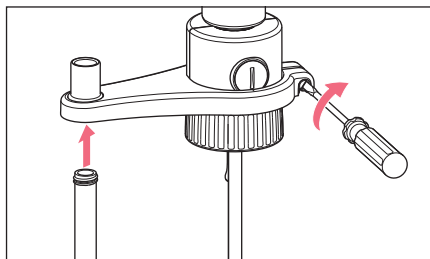
Prerequisite

- The dispenser has been cleaned.
- The flexible discharge tube is free of damages such as kinks.
- The dispenser is not mounted on a flask.

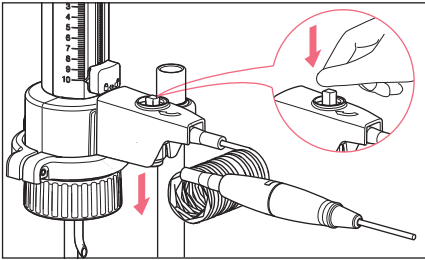
2.1.1 Assembly with Varispenser 2



1. Slide the canula arm to the top and pull it forward while slightly moving it up and down.

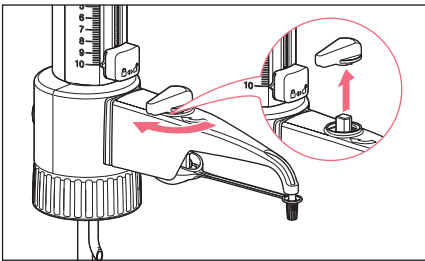


2. Slide the tube holder onto the valve block from below and tighten it. Mount the collecting tube.

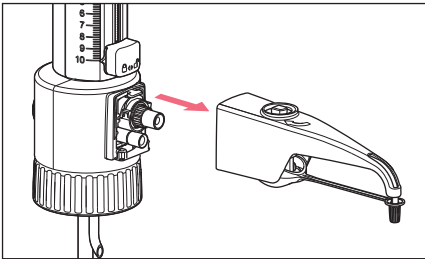


3. Push down the dispensing valve at the canula arm of the flexible discharge tube.
4. Slide the canula arm onto the valve block up to the stop.
5. Slide the canula arm to the bottom.
6. Position the valve toggle and firmly press it.

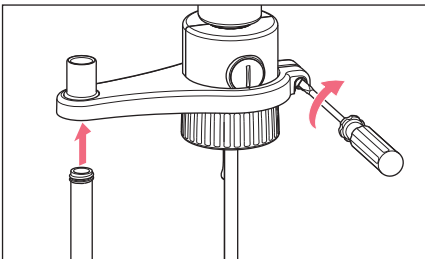
2.1.2 Assembly with Varispenser 2x



1. Set the dispensing valve to "recirculation" and remove the valve toggle by moving it upwards.

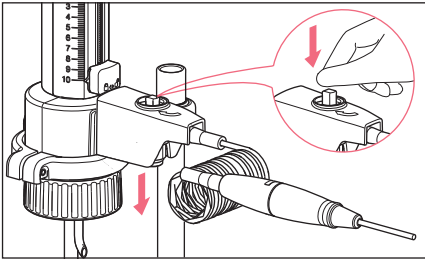


2. Slide the canula arm to the top and pull it forward while slightly moving it up and down.



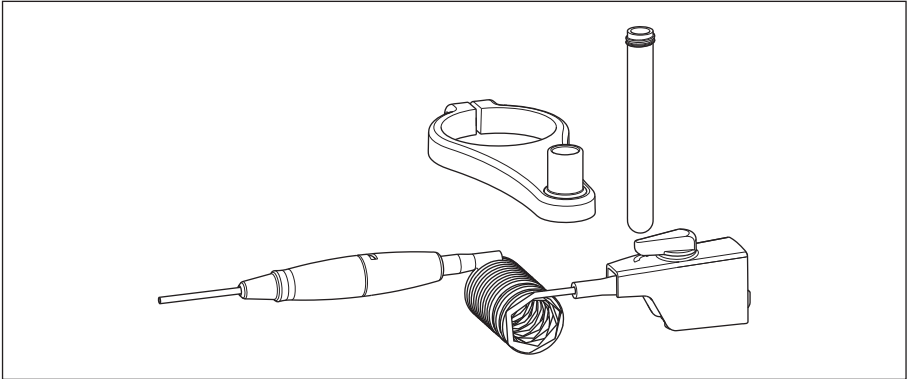
3. Slide the tube holder onto the valve block from below and tighten it. Mount the collecting tube.

Instructions for use
Flexible Discharge Tube
English (EN)



4. Push down the dispensing valve at the canula arm of the flexible discharge tube.
5. Slide the canula arm onto the valve block up to the stop.
6. Slide the canula arm to the bottom.
7. Position the valve toggle and firmly press it.

3 Ordering information



Order no. (International)	Order no. (North America)	Description
4966 501.001	4966501001	Discharge tube spiraled for 2 mL, 5 mL, 10 mL
4966 502.008	4966502008	for 25 mL, 50 mL, 100 mL