

Keep this rotor instruction manual and the centrifuge manual in the file.

Angle Rotors for Ultracentrifuge

P80AT

Before using these rotors, please carefully read this instruction manual, "ROTORS, TUBES, BOTTLES AND CAPS", and the centrifuge instruction manual for its efficient operation and for your safety.

Keep this instruction manual for your reference and refer to it as required.

Contents



1. Specifications	_____	1
2. Applicable tubes/bottles	_____	2
3. How to use	_____	3
4. Maintenance	_____	5
5. Using cesium chloride	_____	7
6. Packing list	_____	8
7. Decontamination	_____	9
8. Rotor retirement	_____	9


Part No. { RLM rotor
9123092M
Rotor with optical adapter
91230920
Rotor with optical disk
9123093C


2022.01
S99924016
Original instruction manual

Safety Reminder

- Centrifuge rotors rotating at high speed have considerable potential for damage to personal properties if used improperly.
For safe and proper use of this rotor, carefully read the centrifuge instruction manual and this rotor instruction manual before use and observe the instructions.

 **WARNING :** and  **CAUTION :** notes are used to call your attention in this manual to prevent personal injury or damage to the rotor and the centrifuge. These notes are defined as follows.

 **WARNING:** indicates a potentially hazardous situation which, if not avoided, could result in personal severe injury or possible death.

 **CAUTION:** indicates a hazardous situation which, if not avoided, could result in personal injury or severe damage to the instrument.

WARNING

- Never use any material capable of producing flammable or explosive vapors. Your centrifuge and rotor have no explosion-proof construction.
- Your centrifuge and rotor are not designed to confine any sample particles dispersed due to leakage. Therefore, when using toxic or radioactive samples or pathogenic or infectious blood samples, make sure to prepare necessary safety measures at your own responsibility.
- Never exceed the maximum speed of the rotor (mentioned on the rotor).
Always reduce rotor speed as instructed in this manual when rotor speed is limited due to sample density or kinds of tubes.
- Check the chemical resistance chart attached the rotor, and do not use any sample inapplicable to the rotor. Using such a sample could corrode the rotor.
- Do not remove the RLM adapter or optical adapter/disk from rotor, or replace it with the adapter/disk for another rotor. The adapter/disk is critical component that detects the over-speed of rotor. If an adapter/disk that is not compatible with the rotor is attached, the rotor could break, resulting in damage to the centrifuge.
- Do not allow the rotor temperature to rise 100°C.: This would cause the material brittle.
- Never sterilize the rotor by autoclaving or boiling. Otherwise the strength of rotor may be significantly decreased.
- If the centrifuge, rotor, or an accessory is contaminated by samples that toxic or radioactive, or blood samples that pathogenic or infectious, be sure to decontaminate the item according to good laboratory procedures and methods.
- If there is a possibility that the centrifuge, rotor, or an accessory is contaminated by samples that might impair human health (for example, samples that are toxic or radioactive, or blood samples that are pathogenic or infectious), it is your responsibility to sterilize or decontaminate the centrifuge, rotor, or the accessory properly before requesting repairs from an authorized sales or service representative.
- It is your responsibility to sterilize and/or decontaminate the centrifuge, rotor, or parts properly before returning them to an authorized sales or service representative.

CAUTION

- Check the chemical resistance chart attached to the rotor, and do not use any sample inapplicable to the tubes/bottles, the tube adapter, or the cap for the tubes/bottles. Using such a sample could deteriorate them.
- The allowable speed may be lower depending on the density of sample, use of salt-such as cesium chloride or the combination of tubes or bottles and tube adapters and caps. Refer to this instruction manual.
- Always balance the tubes/bottles and samples within the allowable imbalance of rotor, including the caps and the tube adapters. Do not exceed the allowable imbalance. Otherwise the rotor and the centrifuge may be damaged.
- Do not load only one tube or load tubes asymmetrically : Asymmetrically loading may cause imbalance operation and damage the centrifuge and rotor.
- Clean the inside of the drive hole (crown hole) of the rotor and the surface of the drive shaft (crown) of the centrifuge once a month. If the drive hole or the drive shaft is stained or any foreign matter is adhered, the rotor may be improperly installed and come off during operation.
- Use the rotor tubes and bottles within their actual capacities.
- Do not use tubes/bottles that have exceeded their life expectancy. Failure to do so could result in damage of tubes/bottles and the rotor and the centrifuge. The life expectancy of tubes/bottles depends on factors such as the characteristics of samples, speed of the rotor used, and temperature. Always check for deterioration and damage (cracks, deformation, and so on) on tubes/bottles before using them. Do not use the tubes/bottles if you find such a problem.
- Inspect and maintain the rotor after use. If abnormality is observed, do not use it.
Contact an authorized sales or service representative.

1. Specifications

1.1 Construction

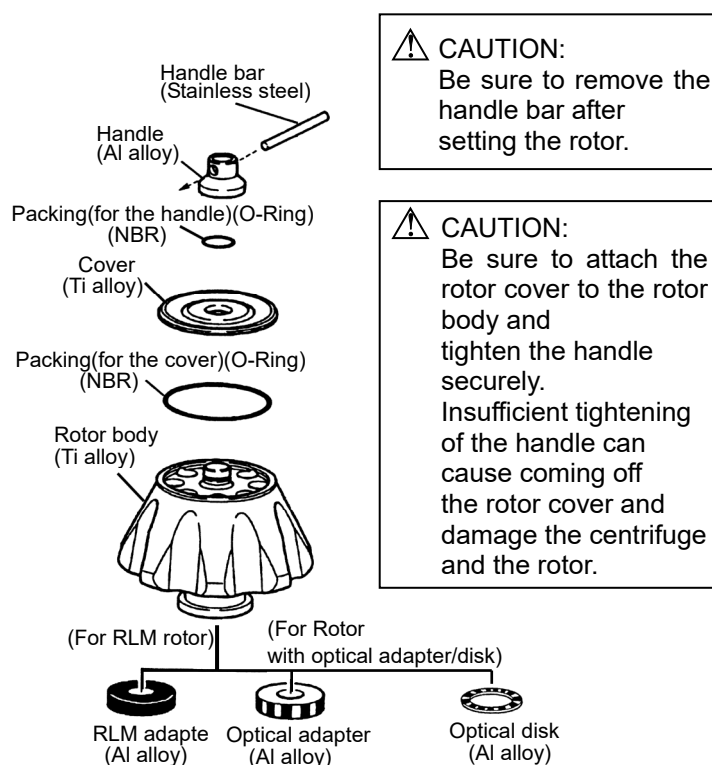


Fig.1-1. Construction of P80AT rotor

1.2 Specifications

- Max. speed: 80,000 rpm
- Max. RCF: 615,000 xg
- Allowable density at maximum speed of the rotor: 1.2 g/mL
- K Factor at maximum speed of the rotor: 27
- Nominal rotor capacity: 12 mL × 8 tubes = 96 mL
- Material of rotor: Ti alloy
- Tube size: ϕ 1.6 × 7.6 cm
- Weight: 6.0 kg
- Max. diameter: 18.1 cm
- Max. height: 16.4 cm

⚠ CAUTION:

- Do not use a RLM rotor with the centrifuge other than a series of a CP-NX/WX/MX/ α ultracentrifuge.
- Do not use rotor with optical adapter/disk with model 55P and 40P (old type centrifuge).

1.3 Cross-sectional view of rotor

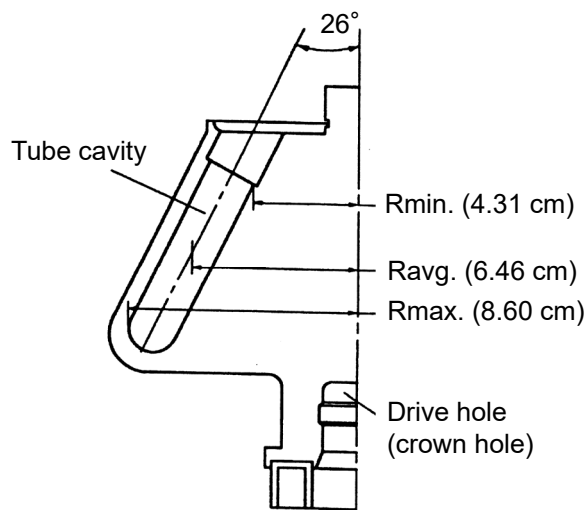


Fig.1-2. Cross-sectional view of P80AT rotor

⚠ CAUTION:

Clean the inside of the drive hole (crown hole) of the rotor and the surface of the drive shaft (crown) of the centrifuge once a month. If the drive hole or the drive shaft is stained or any foreign matter is adhered, the rotor may be improperly installed and come off during operation.

1.4 Characteristic of rotor

Table 1-1. Characteristic of P80AT

Rotor Speed (rpm)	RCF(xg)			K factor
	Rmax.	Ravg.	Rmin.	
10,000	9,620	7,220	4,820	1,750
20,000	38,500	28,900	19,300	437
30,000	86,500	65,000	43,400	194
40,000	154,000	116,000	77,100	109
50,000	240,000	181,000	120,000	70
60,000	346,000	260,000	173,000	49
70,000	471,000	354,000	236,000	36
80,000	615,000	462,000	308,000	27

※ For detail about K factor, refer to “ROTORS, TUBES, BOTTLES AND CAPS (Part No.S999204)” attached to the centrifuge.

Calculation formula

$$RCF = 1.118 \times 10^{-5} \times R \times N^2 (\times g)$$

R: Rotating radius (cm)

N: Speed (rpm)

2. Applicable tubes/bottles

2.1 Applicable tubes/bottles

Table 2-1. Applicable tubes/bottles

Tubes/Bottles					Tube adapter Float spacer		Cap		Max. speed (rpm)	Max. RCF (xg)
Nominal capacity (mL)	Part No.	Name	Size (ϕ X L cm)	Actual capacity (mL/tube)	Part No.	Name	Part No.	Name		
12	345320A	12PA Seal Tube	1.6 X 7.8	13.5	---	---	486582	C2 Space Cap	80,000	615,000
	329606A	12PA Tube	1.6 X 7.6	10.5	---	---	463577A	C-TI Cap Ass'y	80,000 ^{*1}	615,000
				10.2	---	---	S410542A	S-12AL Cap Ass'y ^{*2}	80,000	615,000
	325470A	12PE Tube	1.6 X 7.5	10.5	---	---	463577A	C-TI Cap Ass'y	60,000	346,000
				10.0	---	---	S410542A	S-12AL Cap Ass'y ^{*2}	60,000	346,000
	325751A	12PC Tube	1.6 X 7.6	10.5	---	---	463577A	C-TI Cap Ass'y	60,000	346,000
	S413604A	12TI Tube	1.6 X 7.6	10.5	---	---	463577A	C-TI Cap Ass'y	37,000	132,000
8.5				---	---	---	---	46,000	203,000	
326010A	12SST Tube	1.6 X 7.6	10.5	---	---	463577A	C-TI Cap Ass'y	32,000	98,500	
			8.5	---	---	---	---	38,000	139,000	
10	S303922A	10PC Bottle (B) Ass'y	1.6 X 8.2	8.4	---	---	---	---	62,000	370,000
	338455A	10PC Thick-Walled Tube	1.6 X 7.7	6.5	---	---	---	---	47,000	212,000
	325952A	10PC Bottle Ass'y	1.6 X 8.2	8.0	---	---	---	---	38,000	139,000
	334105A	10PA Bottle Ass'y	1.6 X 8.2	8.0	---	---	---	---	33,000	105,000
	338456A	10PA Thick-Walled Tube	1.6 X 7.6	6.7	---	---	---	---	28,000	75,400
8	S408831A	8PA Seal Tube	1.6 X 6.1	8.3	S413976	C12-8 Float Spacer	486582	C2 Space Cap	80,000	615,000
6.5	329445A	6.5PA Tube	1.3 X 6.4	5.8	336687A	6.5A12 Adapter	414429A	B-AL Cap Ass'y	38,000	124,000
	326415A	6.5PC Tube	1.3 X 6.4	5.8	336687A	6.5A12 Adapter	414429A	B-AL Cap Ass'y	38,000	124,000
6	S311555A	6PA Seal Tube	1.6 X 5.0	6.5	S413977	C12-6 Float Spacer	486582	C2 Space Cap	80,000	615,000
5	332245A	5PA Tube	1.3 X 5.2	5.0	336686A	5A12 Adapter	414429A	B-AL Cap Ass'y	38,000	115,000
4.7	S303141A	4.7PC Thick-Walled Tube	1.3 X 6.4	3.4	336687A	6.5A12 Adapter	---	---	38,000	124,000
4	329561A	4PA Tube	1.1 X 6.0	4.0	336685A	4A12 Adapter	336711A	A3-AL Cap Ass'y	38,000	132,000
3	336708A	3PA Tube	1.1 X 4.7	3.0	336684A	3A12 Adapter	336711A	A3-AL Cap Ass'y	38,000	123,000
	S301599A	3PC Tube	1.3 X 5.1	2.6	336686A	5A12 Adapter	---	---	38,000	115,000
0.9	S304296A	0.9PC Thick-Walled Tube	0.8 X 5.0	0.9	336683A	2A12 Adapter	---	---	42,000	151,000

*1: When using 12PA Tubes with C-TI Cap Ass'y at speed of 70,000 rpm and more than 70,000 rpm, 12PA Tubes can not be reused.

*2: When using tubes with S-12AL Cap Ass'y, tubes can not be reused.

1. When using 12PA Tubes, 12PA Seal Tubes, 8PA Seal Tubes, and 6PA Seal Tubes, we recommend the purchase of the tube kit, what is the set of tubes and necessary tools.
Refer to Chapter 6 for the tube kit.

2. Material of tube adapters: Polyacetal

3. Material of float spacers: Modified polyphenylene ether



CAUTION :

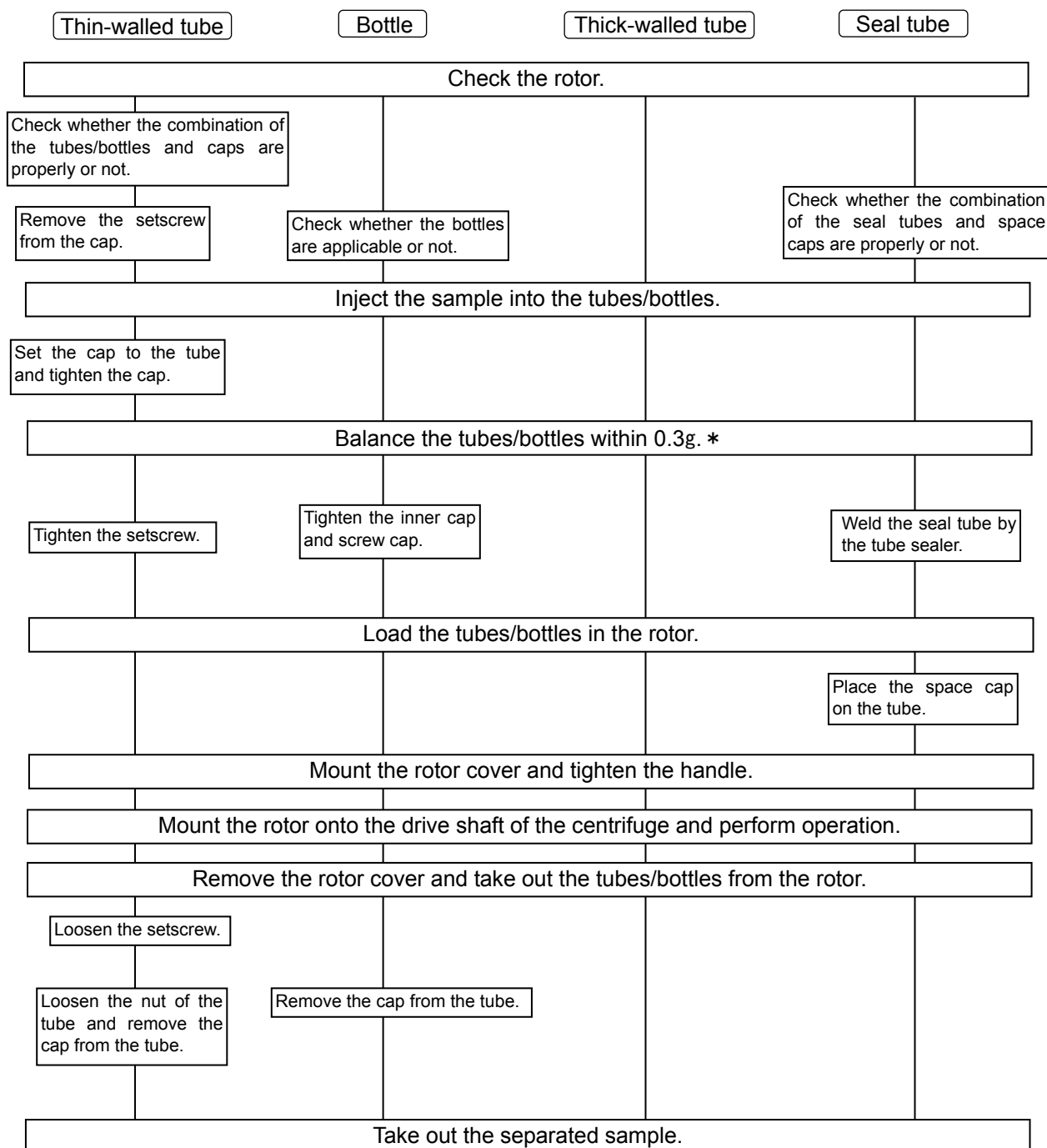
Chemical resistance and the strength of tubes/bottles varies with speed, temperature, and so on. Before using sample, fill tubes/bottles with water, buffer solution, etc. instead of sample and run them at the intended speed, temperature, and so on to ensure that there is no abnormality.

Refer to "ROTORS, TUBES, BOTTLES AND CAPS (Part No.S999204)" for the cleaning and sterilization of the tubes/bottles.

3. How to use

How to use tubes/bottles varies in the kinds of tubes/bottles. The brief procedure of tubes/bottles handling is described as follows.

For the detail about handling tubes/bottles, refer to "ROTORS, TUBES, BOTTLES AND CAPS (Part No.S999204)" attached to the centrifuge.



(*) When using CP-NX series, CP-WX series, CP-MX series, or CP- α/β series, approximately even quantities of sample in the tubes are sufficient for balancing, and extremely different sample quantities must be avoided.

(The levels of samples in the tubes should be approximately equal. Their difference should be within 5 mm.) For some kinds of tubes, if a small quantity of a sample is injected to them, the rotor can not be used at the allowable maximum speed. Tube deformation may occur due to a small quantity of a sample during operation.

=For handling=

● Allowable speed of rotors

1. To centrifuge a sample of an average density more than 1.2 g/mL.

Determine the allowable speed from the following equation.

$$\text{Allowable speed (rpm)} = 80,000 \text{ (rpm)} \times \sqrt{\frac{1.2 \text{ (g/mL)}}{\text{Mean density of sample (g/mL)}}}$$

2. The allowable speed may be lower depending on the density of a sample when using of salt-such as cesium chloride. Refer to “5. Using cesium chloride” for the detail.

3. The allowable speed may be lower depending on the combination of tubes/bottles and tube adapter, etc. Refer to “2. Applicable tubes/bottles”

● Tube/Bottle

Before operation, check whether the combination of tubes/bottles, tube adapter, etc. is properly or not. When using seal tubes and thin-walled tubes, fill them with a sample. When using bottles and thick-walled tubes, use them with optional volume less than net capacity. Tighten the cap securely. Weld the seal tube completely according to the instruction manual of the STF-1, the STF2, or the STF3 tube sealer.

Refer to “2. Applicable tubes/bottles” in this manual and “ROTORS, TUBES, BOTTLES AND CAPS (Part No. S999204)”.

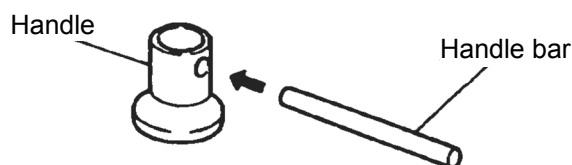
● Handling the rotor

⚠ WARNING :

- Never exceed the maximum speed of the rotor (mentioned on the rotor). Otherwise, rotor may be damaged and result in damage to the centrifuge.
- Check the chemical resistance chart attached the rotor, and do not use any sample inapplicable to the rotor. Using such a sample could corrode the rotor.

⚠ CAUTION :

- Do not load only one tube or load tubes asymmetrically : Asymmetrically loading may cause imbalance operation and damage the centrifuge and rotor.
- Balance the tubes/bottles and the samples including the caps and the tube adapters within the allowable imbalance of the rotor.
Do not exceed the allowable imbalance. Otherwise, the centrifuge or the rotor may be damaged due to excessive imbalance operation.
- If foreign matter adheres to the rotor, wipe it off promptly. Otherwise, the rotor may be corroded.
- Be sure to attach the rotor cover to the rotor body and tighten the handle securely.
Insufficient tightening of the handle can cause coming off the rotor cover and damage the centrifuge and the rotor.
- Be sure to remove the handle bar after setting the rotor.
- Inspect and maintain the rotor after use. If abnormality is observed, do not use it.
Contact an authorized sales or service representative.



Insert the handle bar to the hole of the handle.

● Sample limitation

⚠ WARNING :

Never use any material capable of producing flammable or explosive vapors. Your centrifuge and rotor are not designed to confine any sample particles dispersed due to leakage. Therefore, when using toxic or radioactive samples or pathogenic or infectious blood samples, make sure to prepare necessary safety measures at your own responsibility.

● The rotor life management of the rotor with optical adapter/disk

⚠ CAUTION :

Each time the rotor with optical adapter/disk is used, be sure to enter the results in the “rotor log book”. Failure to do so will disable management of the life of rotor. No entry is need for RLM rotor.

● RLM adapter and Optical adapter/disk

⚠ WARNING :

- Do not remove the RLM adapter or optical adapter/disk from rotor, or replace it with the adapter/disk for another rotor. The adapter/disk is a critical component that detects the over-speed of rotor : If an adapter/disk that is compatible with the rotor is attached, the rotor could break, resulting in damage to the ultracentrifuge.

⚠ CAUTION :

- Do not bring the RLM adapter near a magnet, or scratch it: Doing so will erase the memory stored in adapter, and make the rotor unusable. To prevent the adapter from being scratched, store the rotor with RLM adapter, using the stand provided with the rotor (rotor stand for protecting adapter).
If the adapter is scratched, immediately stop using rotor and contact an authorized sales or service representative.
- Take great care not to scratch the optical adapter/disk: Any scratch on adapter/disk will make the rotor unusable. To prevent the adapter/disk from being scratched, store the rotor with optical adapter/disk, using the stand provided with the rotor (rotor stand for protecting adapter/disk). If the adapter/disk is scratched, immediately stop using rotor and contact an authorized sales or service representative.
- If foreign matter adheres to the RLM adapter or optical adapter/disk, wipe it off promptly. Otherwise, the RLM adapter or optical adapter/disk may be corroded.

4. Maintenance

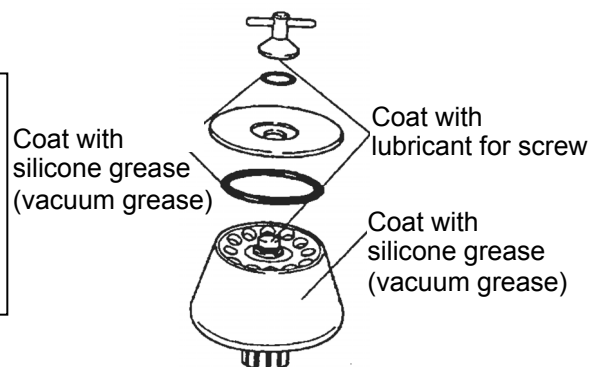
● Maintenance of rotor

⚠ WARNING :

Do not allow the rotor temperature to rise over 100°C. Otherwise, the rotor can be brittle.

⚠ CAUTION :

Use a neutral detergent having a pH between 5 and 9. Otherwise, the rotor can be corroded.



Wash the rotor with tap water or a dilute solution of neutral detergent and rinse it out with distilled water. Turn the rotor upside down with the rotor removed to dry it well. Check the rotor is completely dried and then put the light coat of silicone grease (vacuum grease) on the surface of the rotor, the light coat of lubricant for screw on the thread portion, the light coat of silicone grease (vacuum grease) on the packing (for the cover), Store them in a dry place. If foreign matter adheres to the rotor, soak the rotor in warm water in one or two hour and remove foreign matter with a soft brush etc. Use a neutral detergent having a pH between 5 and 9. If you cannot remove it, contact an authorized sales or service representative.

● Sterilizing rotor

⚠ WARNING :

Never sterilize the rotor by autoclaving or boiling. Otherwise the strength of rotor may be significantly decreased.

⚠ CAUTION :

Do not sterilize the tube adapters made of plastic by autoclaving or boiling. Otherwise the tube adapters may be deformed. Such the tube adapters can not be used.

Sterilize the rotor according to either gas sterilization method (ethylene oxide or formaldehyde) or chemical sterilization method (70% ethanol, 3% hydrogen peroxide, 3% formalin).

Sterilize the tube adapters made of plastic according to either gas sterilization method (ethylene oxide or formaldehyde) or chemical sterilization method (70% ethanol, 3% hydrogen peroxide, 3% formalin).

* Do not dip the rotor and the tube adapters in the formalin (3%) solution more than 2 hours.

● Inspecting rotor

Check the rotor after every run as follows.

- The thread portion is worn. Contact an authorized sales or service representative.
- The tube cavity is corroded. Contact an authorized sales or service representative.
- The packing (for the cover) is deteriorated. . . . Replace it with the new one.
- The adapter is stained. Wipe it out with a soft cloth.

Check the rotor once a month as follows.

- The inside of drive hole (crown hole) is stained. . . . Wipe it out with a soft cloth dampened with water.

⚠ CAUTION :
Clean the inside of the drive hole (crown hole) of the rotor and the surface of the drive shaft (crown) of the centrifuge once a month. If the drive hole or the drive shaft is stained or any foreign matter is adhered, the rotor may be improperly installed and come off during operation.

● Life of rotor

⚠ WARNING :
Do not use rotors that have exceeded their lifetime; to do so might cause the rotor failure and the centrifuge might be damaged.

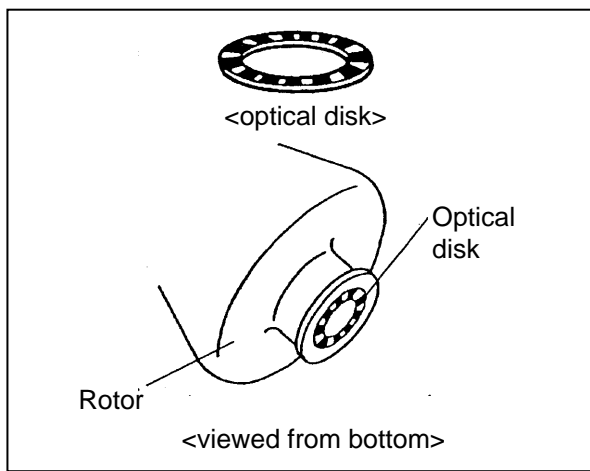
While using rotor repeatedly, it's strength decreases gradually due to fatigue and creep of material, by which the rotor life is determined.

This rotor must not be used when they reached 5,000 operation times or 10,000 accumulated hours. If you use the RLM rotor at a speed lower than its maximum permissible speed, the life of the RLM rotor will be prolonged automatically by calculating from the strength of the rotor material.

● Replacing the optical disk

(1) Preparation

- Prepare a new optical disk and knife.
Make sure that the number of stripes of the new optical disk is right as follows.
- Wash and then dry the rotor well.



Rotor's maximum speed and optical disk's number of stripes

Rotor's maximum speed (rpm)	Optical disk's number of black bands	Rotor's maximum speed (rpm)	Optical disk's number of black bands	Rotor's maximum speed (rpm)	Optical disk's number of black bands
100,000	9	50,000	18	30,000	29
90,000	10	48,000	19	28,000	32
80,000~83,000	11	45,000	20	27,000	33
70,000	13	42,000	21	25,000	35
65,000	14	40,000	22	23,000	39
60,000	15	38,000	24	21,000	40
55,000~56,000	16	35,000	25	19,000	45
54,000	17	32,000	28	17,000	50

- (2) Hold the rotor upside down.
- (3) Pry the edge of the optical disk with the knife and remove the disk. Be very careful not to damage the rotor.
- (4) Clean the disk hole on the rotor by using alcohol.
- (5) Remove the backing paper from the new optical disk.
Place the optical disk so that it snugly fits into the groove of the disk hole on the rotor. Make sure the disk does not move.

5. Using cesium chloride

The cesium chloride (CsCl) solution is frequently used as a density gradient medium, but if the CsCl solution with a high density is used, it may saturate during the rotation of the rotor depending on the rotation condition which may cause CsCl crystals to be educed. Educated crystals have a high density (approx.4g/mL) and apply an excessive load to the rotor, which is very dangerous.

The crystallization will also greatly affect the density gradient of the CsCl solution and separation status of the sample. Therefore, always use a solution which will not crystallize the allowable speed.

Fig.5-1 shows the relationship between the maximum allowable density and the speed at which cesium chloride does not crystallize in the condition that standard tube is filled with the cesium chloride solution. In this diagram, crystallization will occur above the curves.

Be sure to select the density of the cesium chloride solution and the rotor speed at which cesium chloride does not crystallize. The curve in this diagram varies in temperature etc. Before actual operation, centrifuge the cesium chloride solution with the same density to ensure that crystallization will not occur.

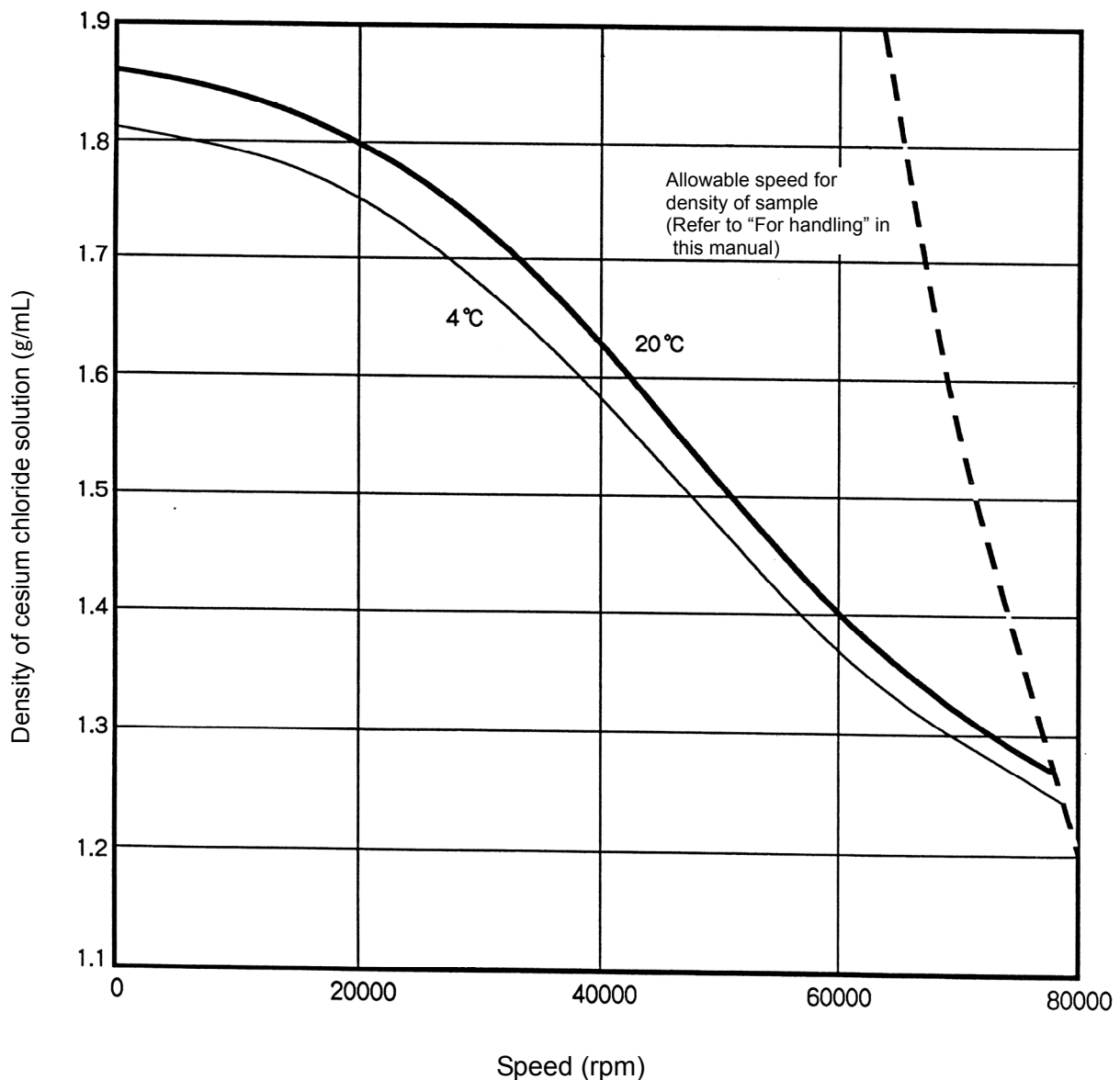


Fig.5-1. Relationship between density of cesium chloride and speed

6. Packing list

Check the parts and accessories of rotor when receiving the rotor.
Contact an authorized sales or service representative when the need arises.

No.	Name	Qty	Remark	Part No. (Qty)	No.	Name	Qty	Part No. (Qty)
①	Rotor	1			⑩			
②	Handle	1*1			⑪			
③	Packing (for the handle) (O-Ring)	1*1		8062026 (1)	⑫	Rotor stand	1	216715 (1)
④	Cover	1*1			⑬	Lubricant for screw	1	84810601 (1)
⑤	Packing (for the cover) (O-Ring)	1*1		S4017039 (1)	⑭	Silicone grease (vacuum grease)	1	483719 (1)
⑥	Handle bar	1		468395 (1)	⑮	Tool box(C)	1	
⑦	Packing (for the handle) (O-Ring)	2	For spare		⑯	Rotor log book *3	1	999494 (1)
⑧	Packing (for the cover) (O-Ring)	2	For spare		⑰	Instruction manual	1	S999240 (1)
⑨	Optical disk *2	2	For spare	346444	⑱			

*1: the quantities of the parts that are mounted to the rotor

*2: The "optical disk" is only provided with the rotor destined for Europe and U.S.A.

*3: The "rotor log book" is not included in RLM rotor.

Tubes are not included in this rotor. Please purchase the applicable tubes.

When using 12PA tubes, 12PA seal tubes, 8PA seal tubes, and 6PA seal tubes, we recommend the purchase of under-mentioned tube kit, what is the set of tubes and necessary tools.

●12PA Tube Kit (A) (Part No.S304986A)
(component)

329606A	12PA Tube :	2 (50 pcs./pack)
463577A	C-TI Cap Ass'y :	12
S401803A	Packing (for the cap): (O-ring)	2 (10 pcs./pack)
333885A	Tube vise (C2)	1
469283	Torque wrench	1
435823A	Tube setter	1

●12PA Seal Tube Kit (A) (Part No.S304991A)
(component)

345320A	12PA Seal Tube :	2 (50 pcs./pack)
486582	C2-Space Cap :	12
S407157	Tube setter :	1

※ When using 12PA seal tubes, tube sealer (STF3,STF2,STF-1) and tube rack (C) (Part No. S201778B) are needed.

●6PA seal tube kit (Part No.S311557A)
(component)

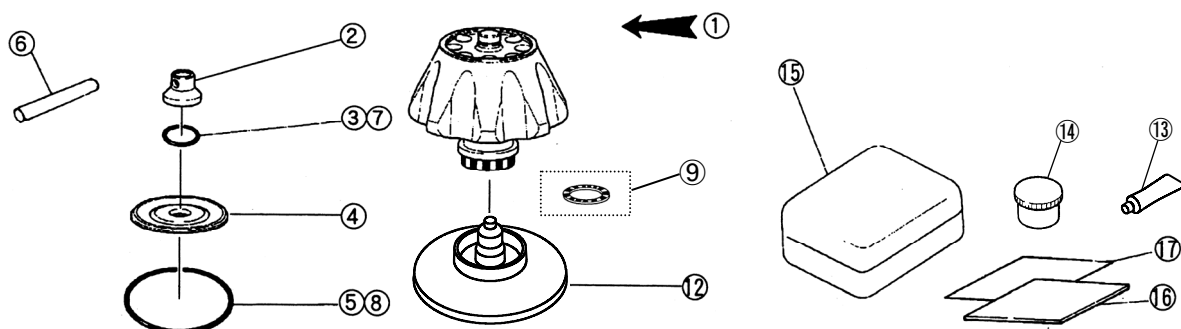
S311555A	6PA seal tube	2 (50 pcs./pack)
486582	C2 space cap	4
S413977	C12-6 float spacer	4
S407157	Tube setter	1
435823A	Tube setter (B)	1

※ When using 6PA seal tubes, Tube sealer (STF3,STF2) and Tube rack (C4) (Part No. S206017A) are needed.

●8PA seal tube kit (Part No.S311562B)
(component)

S408831A	8PA seal tube	2 (50 pcs./pack)
486582	C2 space cap	4
S413976	C12-8 float spacer	4
S407157	Tube setter	1
435823A	Tube setter (B)	1

※ When using 8PA seal tubes, Tube sealer (STF3,STF2) and Tube rack (C2) (Part No. S201778L) are needed.



7. Decontamination

⚠ WARNING:

- If the centrifuge, rotor or an accessory is contaminated by samples that are toxic or radioactive, or blood samples that are pathogenic or infectious, be sure to decontaminate the item according to good laboratory procedures and methods.
- If there is a possibility that the rotor or an accessory is contaminated by samples that might impair human health (for example, samples that are toxic or radioactive, or blood samples that are pathogenic or infectious), it is your responsibility to sterilize or decontaminate the rotor or the accessory properly before requesting repairs from an authorized sales or service representative. Note that we cannot repair the centrifuge, rotor or the accessory unless sterilization or decontamination is completed.
- It is your responsibility to sterilize and/or decontaminate the rotor or parts properly before returning them to an authorized sales or service representative. In such cases, copy the attached decontamination sheet and fill out the copied sheet, then attach it to the item to be returned. We may ask you about the treatment for the rotor or parts if the decontamination is checked and judged as insufficient by us. It is your responsibility to bear the cost of sterilization or decontamination. Note that we cannot repair or inspect the rotor or the accessory unless sterilization or decontamination is completed.

8. Rotor retirement

After many years of use, there will be inevitably some corrosion or stress corrosion. At some points, the combination of such damage and metal fatigue could make the rotor vulnerable to a failure. Although a rotor may appear to be in a good condition, you should follow the rotor retirement recommendation shown below.

Rotor	Material	Retire After Years
Angle rotor	Titanium alloy	12
Vertical rotor	Aluminum alloy	10
Swing rotor	Titanium alloy Aluminum alloy	10

Eppendorf Himac Technologies Co., Ltd.

1060, Takeda, Hitachinaka City
Ibaraki Pref., 312-8502 Japan

URL: <https://www.himac-science.com>

この取扱説明書は、遠心機本体取扱説明書と一緒にファイルに入れて大切に保存してください。

超遠心機用アングルロータ

P80AT

- ・ご使用前に必ずこの取扱説明書と「ロータ・チューブ・ボトル・キャップ取扱説明書」、超遠心機本体の取扱説明書をあわせてよくお読みになり、正しくご使用ください。お読みになった後は、大切に保存してください。

—目次—

1. ロータの仕様 1
2. チューブ・ボトルについて 2
3. ロータの使用方法 3
4. ロータの手入れ 6
5. 塩化セシウムを使用する場合の注意 . . 7
6. 部品・付属品一覧 8
7. 汚染除去について 9
8. ロータのリタイアメント 9
9. ロータの廃棄について 9

パーツ No. { RLM アダプタ式ロータ
9123092M
光学アダプタ式ロータ
91230920

発行 2022.01
取説コード S99924016

このマニュアルの内容はすべて著作権により保護されています。このマニュアルの内容の一部または全部を、無断で転載することは禁じられています。

Copyright © 2022 Eppendorf Himac Technologies Co., Ltd. All rights reserved.

この取扱説明書に記載されている会社名および製品名は、一般に各社の商標または登録商標です。

△マークについて

この取扱説明書では、製品を安全に正しくお使いいただき、お客様や他の人々への危害や財産の損害を未然に防ぐため、△マークをつけて注意を促すようにしております。

表示の意味は次のようになっていますので、内容を理解の上、本文をお読みください。

△ 警告：この表示を無視して、誤った取り扱いをすると、人が死亡または重傷を負う可能性が想定される事項を示しています。

△ 注意：この表示を無視して、誤った取り扱いをすると、人が傷害を負ったり、物的損害の発生が想定される事項を示しています。

△安全にご使用いただくために

遠心機のロータは高速回転しますので、取り扱いの誤りにより装置に多大な損害を与える場合があります。安全にご使用いただくために、ご使用前に遠心機本体およびロータの取扱説明書をよくお読みになり、次のことに十分注意を払ってください。

△ 警告

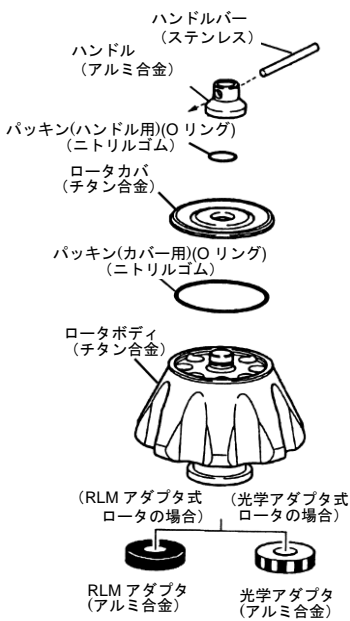
- 引火性、爆発性のある試料は使用しないでください。本ロータおよび遠心機は防爆構造になっていません。
- 有害物質、放射性物質、病原性物質あるいは感染性が否定できない血液等の試料を分離する場合は、使用者の責任において必要な安全対策を講じた上で行ってください。一般に遠心機およびロータは、遠心中の液漏れや万一の事故などによる試料の飛散を防ぐ構造になっていませんのでご注意ください。
- ロータの最高回転速度（ロータ表面に刻印してあります）を超えての使用はしないでください。ロータの破壊による遠心機の損傷を引き起こす恐れがあります。
- ロータに付属している「耐薬品性一覧表」を参照してロータの材質に対して使用不可となっている試料は使用しないでください。ロータの腐食の原因となる場合があります。
- RLMアダプタ、光学アダプタをロータから取り外したり、他のロータのアダプタと交換しないでください。アダプタはロータのオーバースピードを監視する重要な部品で、ロータに適合しないアダプタを取りつけますと、ロータの破壊による遠心機の損傷を引き起こす恐れがあります。
- ロータは100℃以上に温度を上げないでください。ロータの強度が低下し、大変危険です。
- ロータのオートクレーブ、煮沸滅菌は、絶対に行わないでください。ロータの強度が低下し、大変危険です。
- 装置、ロータ、および付属品が有害物質、放射性物質、病原性物質あるいは感染性が否定できない血液等の試料で汚染された場合には、必ず使用者の定める適切な汚染除去の手段に従って処理してください。
- お買い求めいただいた販売店もしくは当社のサービス担当に修理を依頼される場合、装置、ロータ、または付属品等が有害物質、放射性物質、病原性物質あるいは感染性が否定できない血液等の試料により、人の健康に被害を生ずる汚染された状態またはそのおそれがあるときは、必ず事前に、装置使用者の責任において適切な消毒・汚染除去を行ってください。
- 装置、ロータ、および部品等を返送される場合は、必ず事前に、装置使用者の責任において適切な消毒・汚染除去を行ってください。

△ 注意

- ロータに付属している「耐薬品性一覧表」を参照してチューブ/ボトル、チューブアダプタ、チューブ/ボトル用キャップ等の材質に対して使用不可となっている試料は使用しないでください。これらの材料劣化を引き起こします。
- 許容回転速度は、試料の密度、塩化セシウムなどの塩類の使用、またはチューブやボトル・チューブアダプタ・キャップの組み合わせによって制限されることがありますので、この取扱説明書を参照してください。
- チューブ・ボトルと試料は、キャップ・チューブアダプタを含めてロータの許容インバランス量以内にバランスをとってください。許容量を超えたインバランス量で運転すると、遠心機およびロータを損傷する恐れがあります。
- 1本、あるいは、回転軸に対して非対称に、チューブ、ボトルをセットしないでください。過大なインバランス運転となり、遠心機およびロータを損傷する恐れがあります。
- ロータの回転軸挿入穴（クラウン穴）と遠心機の回転軸（クラウン）の表面を1回/月の割合で清掃して下さい。回転軸挿入穴や回転軸に汚れや付着物があると、ロータの回転軸への取付けが不完全となり、回転中にロータの離脱を引き起こす恐れがあります。
- チューブ・ボトルは、規定された実容量以下の液量で使用してください。
- 寿命に達したチューブ・ボトルは使用しないでください。回転中にチューブ・ボトルが破損し、ロータや遠心機の損傷を引き起こす恐れがあります。チューブ・ボトルの寿命は、使用する試料の性質、使用するロータの回転速度、温度など使用する条件により左右されます。使用前に、チューブ・ボトルが変形していないか傷やひびが入っていないか等をよく確認し、異常が認められる場合は、使用しないでください。
- ロータは使用ごとに手入れと点検を行ってください。異常な点がありましたら、ロータの使用を中止し、お買い求めいただいた販売店もしくは当社のサービス担当までご連絡ください。

1. ロータの仕様

1.1 構成



⚠ 注意：
ロータを遠心機にセットした後、必ずハンドルを取り外してください。

⚠ 注意：
アングルロータは、ロータカバを必ず取り付け、ハンドルをしっかり締めつけて使用してください。ハンドルの締め付けが不足していると回転中にロータカバが離脱し、遠心機およびロータを損傷する恐れがあります。

図 1-1 P80AT の構成図

1.2 仕様

- ・ 最高回転速度 80,000rpm
- ・ 最大遠心加速度 615,000 × g
- ・ 最高回転速度における
サンプルの許容密度 1.2g/mL
- ・ Kファクタ (最高回転速度時) . . . 27
- ・ ロータ容量 (呼称容量) . . . 12mL × 8本 = 96mL
- ・ ロータ材質 チタン合金
- ・ チューブ寸法 φ1.6 × 7.6cm
- ・ ロータ質量 6.0kg
- ・ 最大直径 18.1cm
- ・ 最大高さ 16.4cm

⚠ 注意：RLMアダプタ式ロータは、CP-NXシリーズ、CP-WXシリーズ、CP-MXシリーズ、および CP-αシリーズ遠心機以外での使用を禁止します。光学アダプタ式ロータは、55P、40P形遠心機 (旧形) での使用を禁止します。

1.3 断面図

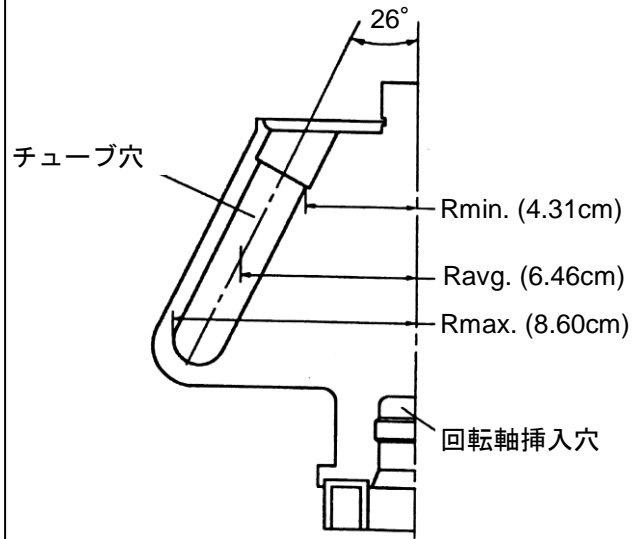


図 1-2 P80AT の断面図

⚠ 注意：ロータの回転軸挿入穴 (クラウン穴) と遠心機の回転軸 (クラウン) の表面を1回/月の割合で清掃して下さい。回転軸挿入穴や回転軸に汚れや付着物があると、ロータの回転軸への取付けが不完全となり、回転中にロータの離脱を引き起こす恐れがあります。

1.4 分離特性

表 1-1 P80AT 分離特性表

回転速度 (rpm)	遠心加速度 (×g)			Kファクタ
	Rmax.	Ravg.	Rmin.	
10,000	9,620	7,220	4,820	1,750
20,000	38,500	28,900	19,300	437
30,000	86,500	65,000	43,400	194
40,000	154,000	116,000	77,100	109
50,000	240,000	181,000	120,000	70
60,000	346,000	260,000	173,000	49
70,000	471,000	354,000	236,000	36
80,000	615,000	462,000	308,000	27

※Kファクタについては、遠心機本体に付属している「ロータ・チューブ・ボトル・キャップ取扱説明書 (パーツ No. 999966)」を参照ください。

回転速度と遠心加速度(RCF)の関係

$$RCF = 1.118 \times 10^{-5} \times R \times N^2 (\times g)$$

R: 回転半径 (cm)

N: 回転速度 (rpm)

2. チューブ・ボトルについて

2.1 チューブ・ボトル一覧

表 2-1 チューブ・ボトル一覧

呼称 容量 (mL)	チューブ・ボトル				チューブアダプタ フロートスペーサ		キャップ		最高 回転速度 (rpm)	最大遠心 加速度 (xg)
	パーツNo.	品名	寸法 (φ X L cm)	実容量 (mL/本)	パーツ No.	品名	パーツ No.	品名		
12	345320A	12PAシールチューブ	1.6 X 7.8	13.5	---	---	486582	C2スペースキャップ	80,000	615,000
	329606A	12PAチューブ	1.6 X 7.6	10.5	---	---	463577A	C-TIキャップクミ	80,000 ^{*1}	615,000
				10.2	---	---	S410542A	S-12ALキャップクミ ^{*2}	80,000	615,000
	325470A	12PEチューブ	1.6 X 7.5	10.5	---	---	463577A	C-TIキャップクミ	60,000	346,000
				10.0	---	---	S410542A	S-12ALキャップクミ ^{*2}	60,000	346,000
	325751A	12PCチューブ	1.6 X 7.6	10.5	---	---	463577A	C-TIキャップクミ	60,000	346,000
	S413604A	12TIチューブ	1.6 X 7.6	10.5	---	---	463577A	C-TIキャップクミ	37,000	132,000
8.5				---	---	---	---	46,000	203,000	
326010A	12SSTチューブ	1.6 X 7.6	10.5	---	---	463577A	C-TIキャップクミ	32,000	98,500	
			8.5	---	---	---	---	38,000	139,000	
10	S303922A	10PCボトル(B)クミ	1.6 X 8.2	8.4	---	---	---	---	62,000	370,000
	338455A	10PCアツチューブ	1.6 X 7.7	6.5	---	---	---	---	47,000	212,000
	325952A	10PCボトルクミ	1.6 X 8.2	8.0	---	---	---	---	38,000	139,000
	334105A	10PAボトルクミ	1.6 X 8.2	8.0	---	---	---	---	33,000	105,000
	338456A	10PAアツチューブ	1.6 X 7.6	6.7	---	---	---	---	28,000	75,400
8	S408831A	8PAシールチューブ	1.6 X 6.1	8.3	S413976	C12-8フロートスペーサ	486582	C2スペースキャップ	80,000	615,000
6.5	329445A	6.5PAチューブ	1.3 X 6.4	5.8	336687A	6.5A12アダプタ	414429A	B-ALキャップクミ	38,000	124,000
	326415A	6.5PCチューブ	1.3 X 6.4	5.8	336687A	6.5A12アダプタ	414429A	B-ALキャップクミ	38,000	124,000
6	S311555A	6PAシールチューブ	1.6 X 5.0	6.5	S413977	C12-6フロートスペーサ	486582	C2スペースキャップ	80,000	615,000
5	332245A	5PAチューブ	1.3 X 5.2	5.0	336686A	5A12アダプタ	414429A	B-ALキャップクミ	38,000	115,000
4.7	S303141A	4.7PCアツチューブ	1.3 X 6.4	3.4	336687A	6.5A12アダプタ	---	---	38,000	124,000
4	329561A	4PAチューブ	1.1 X 6.0	4.0	336685A	4A12アダプタ	336711A	A3-ALキャップクミ	38,000	132,000
	336708A	3PAチューブ	1.1 X 4.7	3.0	336684A	3A12アダプタ	336711A	A3-ALキャップクミ	38,000	123,000
3	S301599A	3PCチューブ	1.3 X 5.1	2.6	336686A	5A12アダプタ	---	---	38,000	115,000
	0.9	S304296A	0.9PCアツチューブ	0.8 X 5.0	0.9	336683A	2A12アダプタ	---	---	42,000

*1 : 12PAチューブ、C-TIキャップクミで70,000rpm以上で使用する場合、チューブの再使用はできません。

*2 : S-12ALキャップクミを使用する場合、チューブの再使用はできません。

1: 12PAチューブ、12PAシールチューブ、8PAシールチューブ、6PAシールチューブをご使用になる場合は、必要な工具等もセットになったチューブキットをご利用になると便利です。

チューブキットについての詳細は、この取扱説明書の「6. 部品・付属品一覧」をご覧ください。

2: チューブアダプタの材質: ポリアセタール

3: フロートスペーサの材質: 変性ポリフェニレンエーテル

△ 注意: チューブ・ボトルの強度や耐薬品性は、温度や回転速度などの影響で変わります。実試料で評価する前に、実際の遠心条件で予備試験を行い、問題が無いことを確認してください。

チューブ・ボトルの洗浄や滅菌および寿命につきましては、「ロータ・ボトル・チューブ・キャップ取扱説明書(パーツ No.999966)」を参照してください。

3. ロータの使用法

取扱いは、チューブ・ボトルの種類によって異なります。この取扱説明書では、取扱い手順を示します。くわしい取扱いは、遠心機本体に付属している「ロータ・チューブ・ボトル・キャップ取扱説明書 (パーツ No.999966)」をご覧ください。



(*) CP-NX シリーズ、CP-WX シリーズ、CP-MX シリーズ、および CP- α/β シリーズ遠心機で使用する場合は、目視で十分ですが、極端なインバランス運転はおさげください。(液面の高さは 5mm 以内) ただし、チューブの種類によっては、注入する液量が少ないと回転速度の制限を受けたり、つぶれが発生する場合がありますのでご注意ください。

＝取扱時の注意事項＝

●許容回転速度について

- ①平均密度が 1.2g/mL 以上の試料を使用する場合、回転速度が制限されます。次式の許容回転速度以下でお使いください。

$$\text{許容回転速度(rpm)} = 80,000(\text{rpm}) \times \sqrt{\frac{1.2 (\text{g/mL})}{\text{試料の平均密度 (g/mL)}}}$$

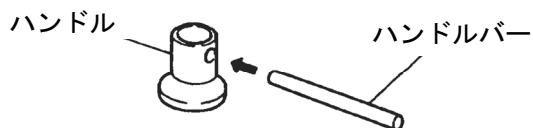
- ②塩化セシウムなどの塩類を使用する場合は、密度により回転速度が制限されます。塩化セシウムを使用する場合の詳細はこの取扱説明書の「5. 塩化セシウムを使用する場合の注意」をご覧ください。
- ③チューブ・ボトル、チューブアダプタなどの組合せにより、回転速度が制限されます。この取扱説明書の「2.チューブ・ボトルについて」をご覧ください。

●チューブ・ボトルについて

使用前に、チューブ・ボトル・キャップ・チューブアダプタの組合せを確認してください。シールチューブ、薄肉チューブは液量を満量にしてください。ボトル、アツチューブはこの取扱説明書の「2. チューブ・ボトルについて」の実容量以下の任意の液量で使用できます。キャップの締め付け、シールチューブの溶着は確実にこなってください。(STF-1、STF2、STF3取扱説明書を参照ください。)チューブ・ボトルについての詳細は、「ロータ・チューブ・ボトル・キャップ取扱説明書(パーツ No.999966)」をご覧ください。

●ロータの使用について

- ⚠ 警告：●ロータの最高回転速度(ロータに刻印してあります。)を超えての使用はしないでください。ロータの破壊による遠心機の損傷を引き起こす恐れがあります。
- ロータに付属している「耐薬品性一覧表」を参照して、ロータの材質に対して使用不可となっている試料は使用しないでください。ロータの腐食の原因となる場合があります。
- ⚠ 注意：●1本、あるいは、回転軸に対して非対称にチューブ・ボトルをセットしないでください。過大なインバランス運転となり、遠心機およびロータを損傷する恐れがあります。
- チューブ・ボトルと試料は、チューブアダプタ・キャップを含めてロータの許容インバランス量以内にバランスをとってください。許容量を越えたインバランス量で運転すると、遠心機およびロータを損傷する場合があります。
- ロータに試料が付着した場合は、速やかに柔らかい布等でふき取ってください。ロータの腐食の原因となる場合があります。
- アングルロータは、ロータカバを必ず取りつけ、ハンドルをしっかり締め付けて使用してください。ハンドルの締め付けが不足していると、回転中にロータカバが離脱し、遠心機およびロータを損傷する恐れがあります。
- ロータを遠心機にセットした後、必ずハンドルバーを取り外してください。
- ロータは、使用ごとに手入れと点検を行ってください。異常な点がありましたら、ロータの使用を中止し、お買い求めいただいた販売店または当社のサービス担当にご連絡ください。



ハンドル上部の穴に、ハンドルバーを差しこんでください。

●ロータの使用について

- ⚠ 警告：●引火性、爆発性のある試料は使用しないでください。本ロータおよび遠心機は防爆構造になっていません。
- 有害物質、放射性物質、病原性物質あるいは感染性が否定できない血液等の試料を使用する時には、隔離された場所で使用するなどして、十分な安全管理を行ってください。一般に遠心機およびロータは、遠心中の液漏れや万一の事故などによる試料の飛散を防ぐ構造になっていません。

●「ロータ運転日誌」の記入について

- ⚠ 注意：光学アダプタ式ロータをご使用の場合は、ロータ使用ごとに、必ず「ロータ運転日誌」に記入してください。記入しないと、ロータの寿命管理ができなくなります。(RLM アダプタ式ロータの場合は記入不要です。)

● RLMアダプタ、光学アダプタについて

⚠ 警告：RLMアダプタ、光学アダプタをロータから取り外したり、他のロータのアダプタと交換しないでください。

アダプタはロータのオーバースピードを監視する重要な部品で、ロータに適合しないアダプタを取りつけますと、ロータの破壊による遠心機の損傷を引き起こす恐れがあります。

⚠ 注意：●RLMアダプタは、磁気に近づけたり、傷をつけないでください。アダプタに記録されているメモリが消滅し、ロータを使用できなくなります。また、アダプタに傷がつくのを防ぐため、RLMアダプタ式ロータは、ロータに付属のロータスタンド (アダプタ保護用ロータスタンド)を使用し、保管してください。アダプタに傷がついてしまった場合は、ロータの使用を中止し、当社のサービス担当にご連絡ください。

●光学アダプタに傷をつけないでください。ロータを使用できなくなります。また、アダプタに傷がつくのを防ぐため、ロータに付属のロータスタンド (アダプタ保護用ロータスタンド)を使用し、保管してください。

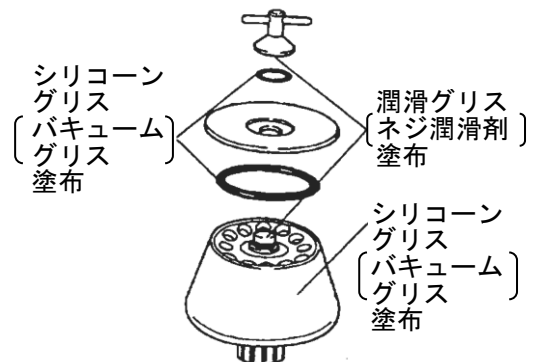
アダプタに傷がついてしまった場合は、ロータの使用を中止し、当社のサービス担当にご連絡ください。

●RLMアダプタ、光学アダプタに試料が付着した場合は、速やかに柔らかい布等でふき取ってください。RLMアダプタ、光学アダプタが腐食するとロータを使用できなくなります。

4. ロータの手入れ

●ロータの手入れ

- ⚠ 警告：ロータは100℃以上に温度を上げないでください。ロータの強度が低下し、大変危険です。
- ⚠ 注意：洗剤をお使いになる場合はpH 5～9の中性洗剤をご使用ください。それ以外の洗剤を使用しますと腐食の原因となります。



ロータの使用後は、水道水またはpH 5～9の中性洗剤の希釈液で洗い、蒸留水ですすぎます。ロータカバを取ったままロータを逆さまにし、空気中で乾燥します。乾燥後、ロータの表面にシリコーングリス（バキュームグリス）、ネジ部には潤滑グリス（ネジ潤滑剤）、パッキン類にはシリコーングリス（バキュームグリス）を薄く塗布し、乾燥した雰囲気の中で保管してください。ロータに付着物がある場合は、ロータを1～2時間、40～50℃の温水に浸した後、柔らかいブラシなどで洗ってください。いずれの場合でもpH 5～9の中性洗剤をご使用ください。付着物が除去できない場合には、当社のサービス担当までご相談ください。

●ロータの滅菌について

- ⚠ 警告：ロータのオートクレーブ、煮沸滅菌は、絶対に行わないでください。ロータの強度が低下し、大変危険です。
- ⚠ 注意：プラスチック製のチューブアダプタのオートクレーブ、煮沸滅菌は絶対に行わないでください。チューブアダプタが変形し、使用できなくなる場合があります。

ロータの滅菌は、ガス滅菌（エチレンオキシド、ホルムアルデヒド）、薬液滅菌（70% エタノール、3% 過酸化水素、3% ホルマリン*）、紫外線滅菌のいずれかの方法で行ってください。

チューブアダプタの滅菌はガス滅菌（エチレンオキシド、ホルムアルデヒド）、薬液滅菌（70% エタノール 3% 過酸化水素、3% ホルマリン*）のいずれかの方法で行ってください。

* 3% ホルマリンでの浸せき滅菌は2時間以内としてください。

●ロータの点検項目

使用ごとに点検する項目

- ネジ部の摩耗・・・当社のサービス担当へご相談ください。
- チューブ穴の腐食・・・当社のサービス担当へご相談ください。
- パッキン類の劣化・摩耗・・・新しいものと交換してください。
- アダプタの汚れ・・・柔らかい布などで拭き取ってください。

1回/月に点検する項目

- 回転軸挿入穴の汚れ・・・水で湿らせた柔らかい布などで拭き取ってください。

- ⚠ 注意：ロータの回転軸挿入穴（クラウン穴）と遠心機の回転軸（クラウン）の表面を1回/月の割合で清掃してください。
回転軸挿入穴や回転軸に汚れや付着物があると、ロータの回転軸への取り付けが不完全となり、回転中にロータの離脱を引き起こす恐れがあります。

●ロータの寿命

- ⚠ 警告：寿命に達したロータは使用しないでください。回転中にロータが破壊し、遠心機の損傷を引き起こす恐れがあります。

ロータを繰り返し使用しますと、材料の疲労やクリープ（変形）によってロータの強度は少しずつ低下しますので、ロータの寿命が規定されています。

運転回数5,000回、または、積算使用時間10,000時間のいずれかに到達するまでが、ロータの寿命です。

ただし、RLMアダプタ式ロータの場合、ロータの最高回転速度より低い回転速度で使用すると、ロータの材料強度特性に基づいた補正がなされ、使用回数、積算使用時間とともに寿命が自動的に延長されます。

5. 塩化セシウムを使用する場合の注意

密度勾配液として塩化セシウム(CsCl)溶液がよく用いられますが、高密度の CsCl 溶液を使用すると、ロータ回転条件により回転中に CsCl 溶液が飽和状態となり、CsCl の結晶が析出する場合があります。析出した結晶は密度が大きく(約4g/mL)、ロータに過大な負荷がかかり非常に危険です。また、結晶化により、CsCl溶液の密度勾配やサンプルの分離状態にも大きな影響を与えます。このため、結晶化しない密度と回転速度で必ずご使用ください。

図5-1は、標準チューブにCsCl溶液を満量にした状態で、結晶化しない最大許容密度と回転速度の関係を表しています。この図においてカーブより上では結晶化が occurs しますので、必ずカーブ以下で密度と回転速度を選択してください。また、この図のカーブは温度などによって変化しますので、重要な試料を分離する場合はあらかじめ同一密度のCsCl 溶液を遠心して、結晶化しないことの確認をおすすめします。

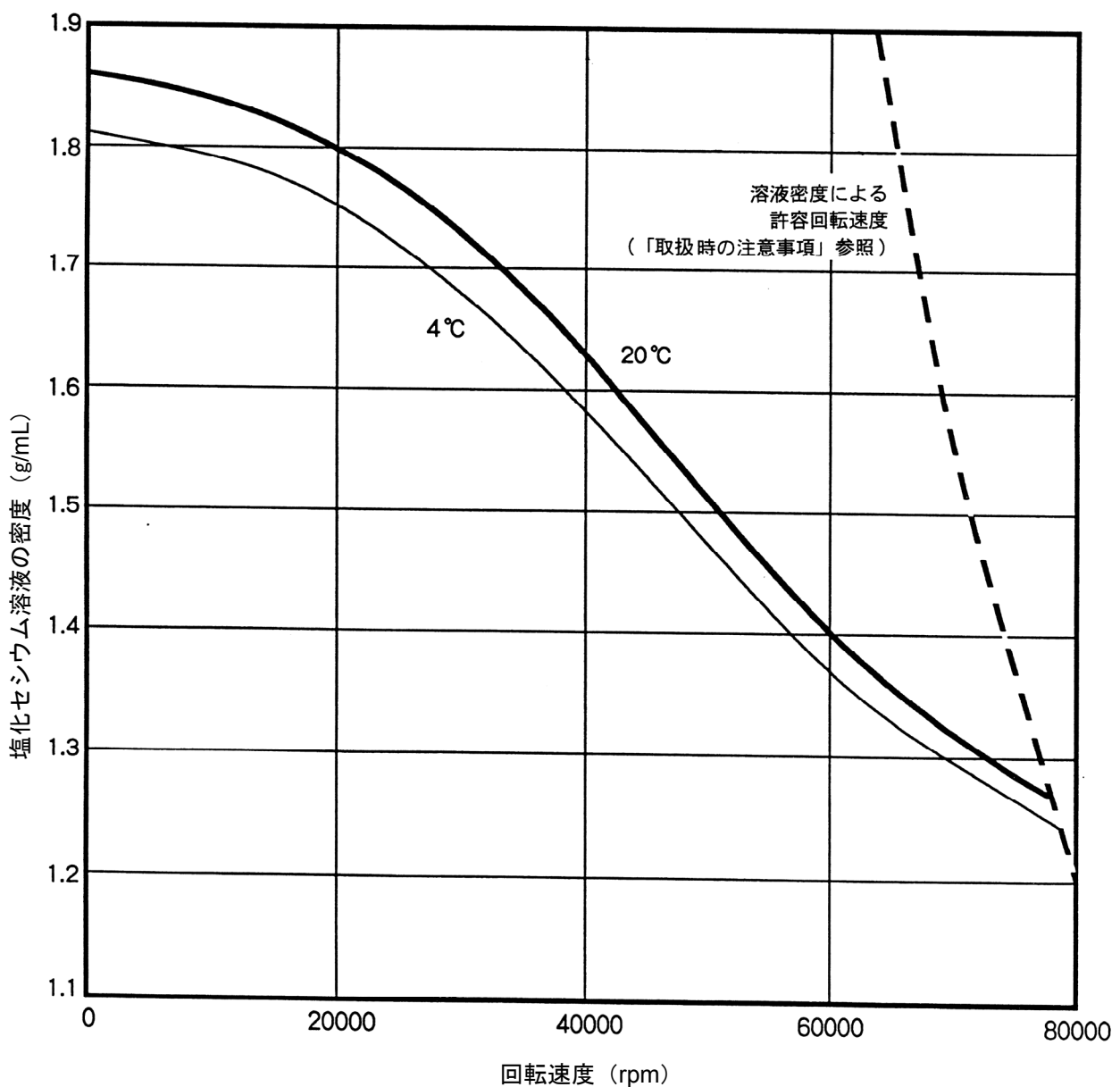


図 5-1 塩化セシウム溶液と密度と回転速度の関係

6. 部品・付属品一覧

ロータ受領時に、ロータの部品、付属品のチェックをおこなってください。万一、欠品または不良品がございましたら、お買い求めになられた販売店、または、当社のサービス担当までご連絡ください。

番号	部品名	個数	備考	補給用部品 No. (員数) ^{※3}	番号	部品名	個数	備考	補給用部品 No. (員数) ^{※3}
①	ロータ	1			⑩				
②	ハンドル	1 ^{※1}			⑪				
③	パッキン(ハンドル用) (Oリング)	1 ^{※1}		8062026 (1)	⑫	ロータスタンド	1		216715 (1)
④	ロータカバ	1 ^{※1}			⑬	潤滑グリス (ネジ潤滑剤)	1		84810601 (1)
⑤	パッキン(カバー用) (Oリング)	1 ^{※1}		S4017039 (1)	⑭	シリコングリス (バキュームグリス)	1		483719 (1)
⑥	ハンドルバー	1		468395 (1)	⑮	コウガバコ(C)	1		
⑦	パッキン(ハンドル用) (Oリング)	2	予備		⑯	ロータ運転日誌 ^{※2}	1		999494 (1)
⑧	パッキン(カバー用) (Oリング)	2	予備		⑰	ロータ取扱説明書	1		S999240 (1)
⑨					⑱				

※1：ロータに組み込まれている個数

※2：RLM アダプタ式ロータに⑯ロータ運転日誌は、付属していません。

※3：補給用部品の入数

ロータには、チューブが付属しておりませんので、別途お買い求めのうえ、ご使用ください。
12PA チューブ、12PA シールチューブ、8PA シールチューブ、6PA シールチューブをご使用になる場合は、必要な工具等もセットになった下記のキットをご利用になると便利です。

●12PA チューブキット(A)(パーツ No.S304986A)

(構成部品)

329606A	12PA チューブ	2(50 本/組)
463577A	C-TI キャップ	12
S401803A	パッキン(キャップ用) (Oリング)	2(10 個/組)
333885A	チューブバイス(C2)	1
469283	トルクレンチ	1
435823A	チューブセッタ	1

●12PA シールチューブキット(A)(パーツ No.S304991A)

(構成部品)

345320A	12PA シールチューブ	2(50 本/組)
486582	C2-スペースキャップ	12
S407157	チューブセッタ	1

※12PA シールチューブをご使用になる場合は、別にチューブシーラ(STF3,STF2,STF-1)、チューブラック(C)(パーツ No.S201778B)が必要です。

●6PA シールチューブキット(パーツ No.S311557A)

(構成部品)

S311555A	6PA シールチューブ	2(50 本/組)
486582	C2-スペースキャップ	4
S413977	C12-6 フロートスペーサ	4
S407157	チューブセッタ	1
435823A	チューブセッタ(B)	1

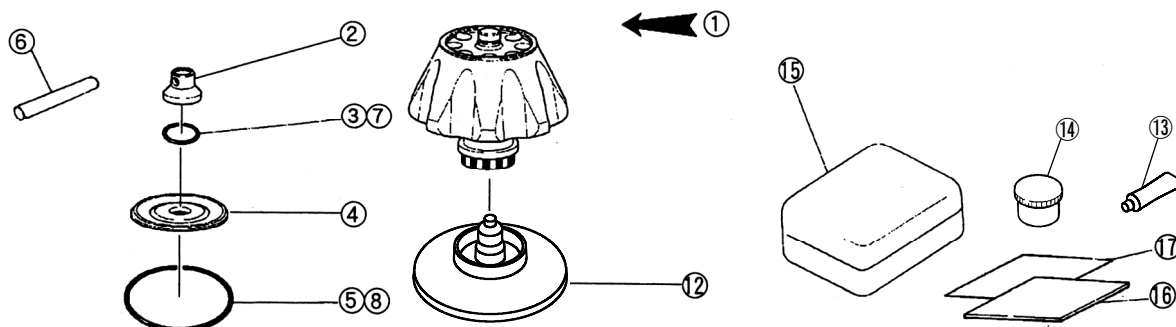
※6PA シールチューブをご使用になる場合は、別にチューブシーラ(STF3,STF2)、チューブラック(C4)(パーツ No.S206017A)が必要です。

●8PA シールチューブキット(パーツ No.S311562B)

(構成部品)

S408831A	8PA シールチューブ	2(50 本/組)
486582	C2-スペースキャップ	4
S413976	C12-8 フロートスペーサ	4
S407157	チューブセッタ	1
435823A	チューブセッタ(B)	1

※8PA シールチューブをご使用になる場合は、別にチューブシーラ(STF3,STF2)、チューブラック(C2)(パーツ No.S201778L)が必要です。



7. 汚染除去について

⚠ 警告：

- 装置、ロータ、および付属品が有害物質、放射性物質、病原性物質あるいは感染性が否定できない血液等の試料で汚染された場合には必ず使用者の定める適切な汚染除去の手順に従って処理してください。
- お買い求めいただいた販売店もしくは当社のサービス担当に修理を依頼される場合、装置、ロータ、または付属品等が有害物質、放射性物質、病原性物質あるいは感染性が否定できない血液等の試料により、人の健康に被害を生ずる汚染された状態またはそのおそれがあるときは、必ず事前に、装置使用者の責任において適切な消毒・汚染除去を行ってください。
この消毒・汚染除去が完了するまで、当社は装置の修理ができません。
- 装置、ロータ、および部品等を返送される場合は、必ず事前に、装置使用者の責任において適切な消毒・汚染除去を行ってください。尚、ロータに付属している汚染除去書をコピーしご記入の上、修理・返却品等に添付してください。
当社施設で遠心機、ロータ、または付属品等を受け取り、当社の見解として有害物質、放射性物質、病原性物質あるいは感染性が否定できない血液等の試料による汚染が除去されていないと判断した場合、装置の処理について指示をいただくためにお客様にご連絡させていただきます。
装置、ロータ、および部品等の消毒・汚染除去等の処理にかかる費用は、お客様にご負担いただきます。この消毒、汚染除去が完了するまで、当社は修理や調査等ができません。
- ご相談、ご質問は、裏表紙の遠心機お客様相談センターにお問い合わせください。

8. ロータのリタイアメント

ロータを長年使用し続けると、経年劣化や腐食等が徐々に進行し、ロータの外観上に変化が見られなくてもロータの強度が低下している可能性があります。このようなロータを使い続けることにより破壊事故等を起こす恐れがありますので、以下に示すリタイアメント年数を過ぎたロータは廃棄されるようお願いいたします。

ロータ種類	材質	リタイアメント年数
アングルロータ	チタン合金	12年
パーティカルロータ	アルミ合金	10年
スイングロータ	チタン合金 アルミ合金	10年

9. ロータの廃棄について

- 廃棄物は、お使いになったお客様が自らの責任において適正に処理することが「廃棄物の処理及び清掃に関する法律」（廃掃法）で定められております。ロータ（バケット、チューブ、ボトル、アダプタなども同様です）を廃棄するときは、産業廃棄物処理の許可を持った廃棄物処理業者に廃棄処理を委託してください。なお、ロータ（バケット、チューブ、ボトル、アダプタなども同様です）が有害物質、放射性物質、病原性物質あるいは感染性が否定できない血液等の試料などで、人の健康に被害を生ずるような汚染が生じていたり、またはその恐れがあるときは、廃棄物処理業者に汚染物質を使用された旨ご通知願います。
- ロータの廃棄でお困りの場合は、裏表紙の遠心機お客様相談センターにお問い合わせください。

エッペンドルフ・ハイマック・テクノロジーズ株式会社

〒312-8502 茨城県ひたちなか市武田1060番地

遠心機お客様相談センター **フリーダイヤル** (0120) 02 - 4125 (無料)
(土・日・祝日・弊社特別休業日を除く 9:00~12:00 13:00~17:00)

(URL <https://www.himac-science.jp>)