

Before using the accessories for the first time, read these instructions for use. Also read the operating manual of the device the accessories are used with.

## 1 Product description

### 1.1 Features

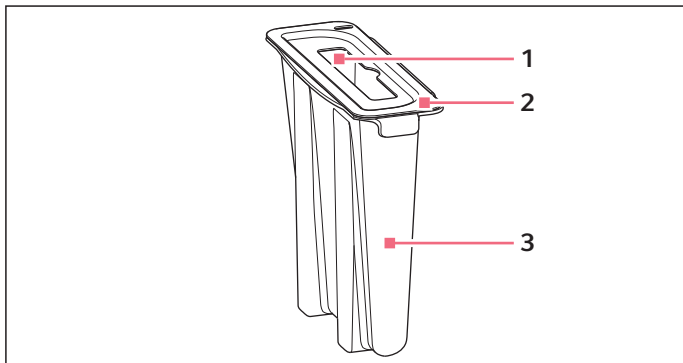


Fig. 1: LiquidWasteTub

#### 1 Opening for dispensing tool

#### 3 LiquidWasteTub

#### 2 Lid

The LiquidWasteTub is a container for liquid waste and is hung inside the waste box or the waste bag holder. The LiquidWasteTub has a working volume of 400 mL.

The lid of the LiquidWasteTub prevents contamination due to splashes from the liquid waste.

The LiquidWasteTub is reusable. You can decontaminate and clean the LiquidWasteTub (see *Decontamination and cleaning on p. 2*).

The optical sensor does not detect whether there is a LiquidWasteTub on the worktable. The optical sensor does not detect the size, the working volume and the filling level of a LiquidWasteTub.

You need to define in the software with which LiquidWasteTub the waste container is equipped.

## 2 Safety



### **WARNING! Danger due to contamination of the LiquidWasteTub.**

The outer surface of the LiquidWasteTub may become contaminated by pipette tips in the waste container.

- ▶ Wear your personal protective equipment.
- ▶ Decontaminate the outer surface of the LiquidWasteTub.



### **NOTICE! Risk of collisions due to loose fitting LiquidWasteTub.**

If the LiquidWasteTub is not properly seated in the waste container, the dispensing tool may collide with the LiquidWasteTub when the tips are ejected.

- ▶ Always use the waste container with the clamping ring.

## 3 Inserting the LiquidWasteTub into a waste container

You can insert the LiquidWasteTub into the waste box and into the waste bag holder.

1. If necessary, insert the waste bag into the waste container.
2. Place the LiquidWasteTub on the edge of the waste container.  
The tabs of the LiquidWasteTub must protrude over the ferrule of the waste box.
3. If necessary, put the lid on the LiquidWasteTub.

4. Place the waste container on the worktable.

The LiquidWasteTub must be located on the right-hand side of the waste container.

## 4 Decontamination and cleaning

Decontamination method	Decontamination agent
Wipe decontamination	70 % (v/v) ethanol
	3 % – 4 % sodium hypochlorite solution
Spray decontamination	70 % (v/v) ethanol
Autoclaving	121 °C
	100 kPa overpressure
	20 min

## 5 Ordering information

Order no. (International)	Description
5075 751.720	<b>LiquidWasteTub 400 mL</b> to hinge in the waste container.

Your local distributor: [www.eppendorf.com/contact](http://www.eppendorf.com/contact)

Eppendorf AG · Barkhausenweg 1 · 22339 Hamburg · Germany  
[eppendorf@eppendorf.com](mailto:eppendorf@eppendorf.com) · [www.eppendorf.com](http://www.eppendorf.com)