

Instructions for Use

Locking clip
English (EN)

1 Product description

Applies to multi-channel lower parts with the following nominal volumes:

- 10 μ L
- 100 μ L
- 300 μ L

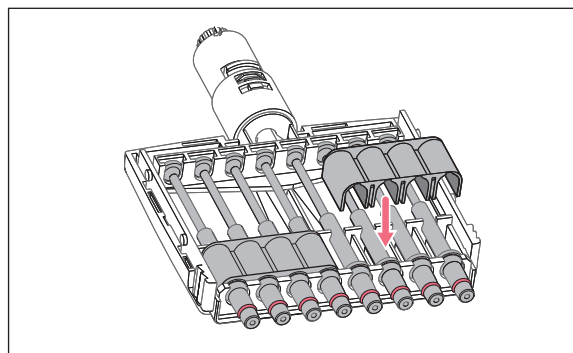
Applies to the following pipettes:

- Research® plus
- Xplorer®
- Xplorer® plus

With spring-loaded tip cones the movement can be blocked with a locking clip. To do this, all springs are replaced by locking clips.

2 Installation

To install the locking clips, carry out the following steps in accordance with the pipette operating manual.



1. Detach the multi-channel lower part from the pipette.
2. Open the multi-channel lower part.
3. Carefully lift the pistons out of the upper guiding rail.
4. Push the pistons into the channels.
5. Remove the channels.
6. Pull the pistons out of the channels.
7. Remove the springs from the channels.
8. Carefully slide the pistons into the channels.
9. Insert the channels without springs.
10. Carefully insert the pistons into the upper guiding rail.
11. Attach the locking clips to the channels.
12. Assemble the lower part in reverse order.
13. Carry out a gravimetric test of the systematic and random error.
This test ensures that no parts were confused during assembly and that the pipette has been assembled correctly.

3 Ordering Information

Order no. (International)	Order no. (North America)	Description
3122 612.006	3122612006	Locking clip to prevent spring effect of tip cones in multi-channel lower parts (10 μ L, 100 μ L, 300 μ L)
3122 613.002	3122613002	2 pieces for 8-channel lower parts 3 pieces for 12-channel lower parts

Your local distributor: www.eppendorf.com/contact
Eppendorf SE · Barkhausenweg 1 · 22339 Hamburg · Germany
eppendorf@eppendorf.com · www.eppendorf.com