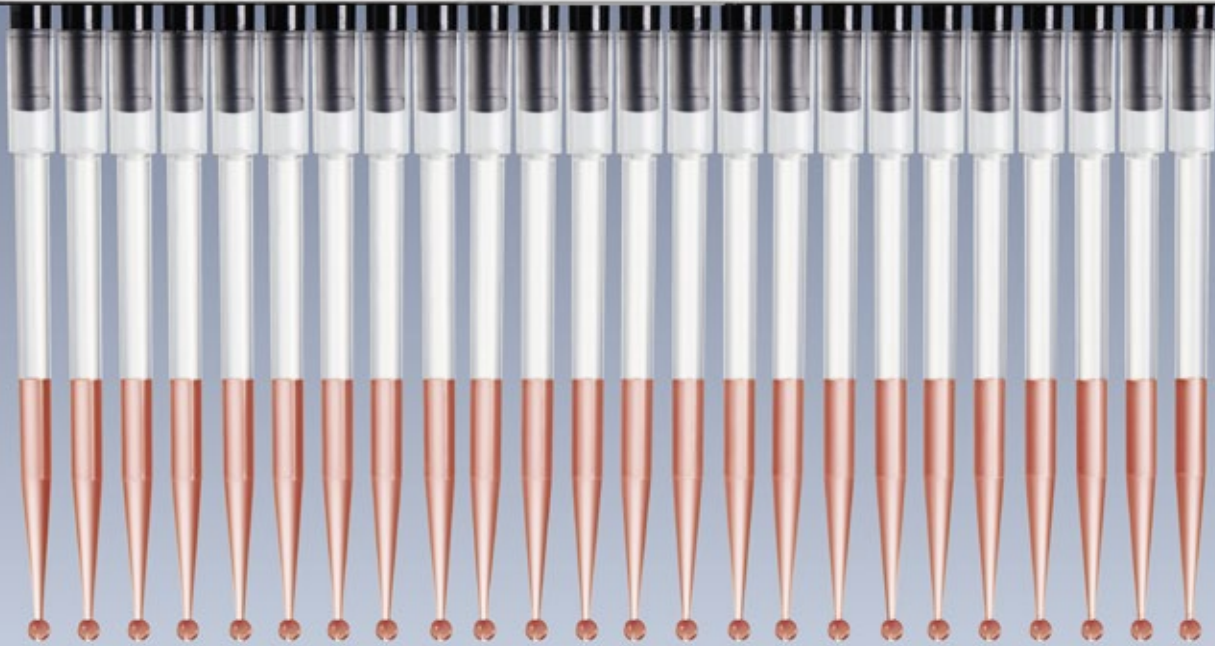


EU-IVD Products

100

24



384. Ready. Set. Pipette!

384-well pipetting made easy
Eppendorf Research® plus 16- and 24-channel pipettes and epT.I.P.S.® 384

16 and 24 Wells in Just One Step

Pipette into 384-well plates without the pain

Do you work with 384-well plates and strive for more efficient manual pipetting methods? Your worries are over.

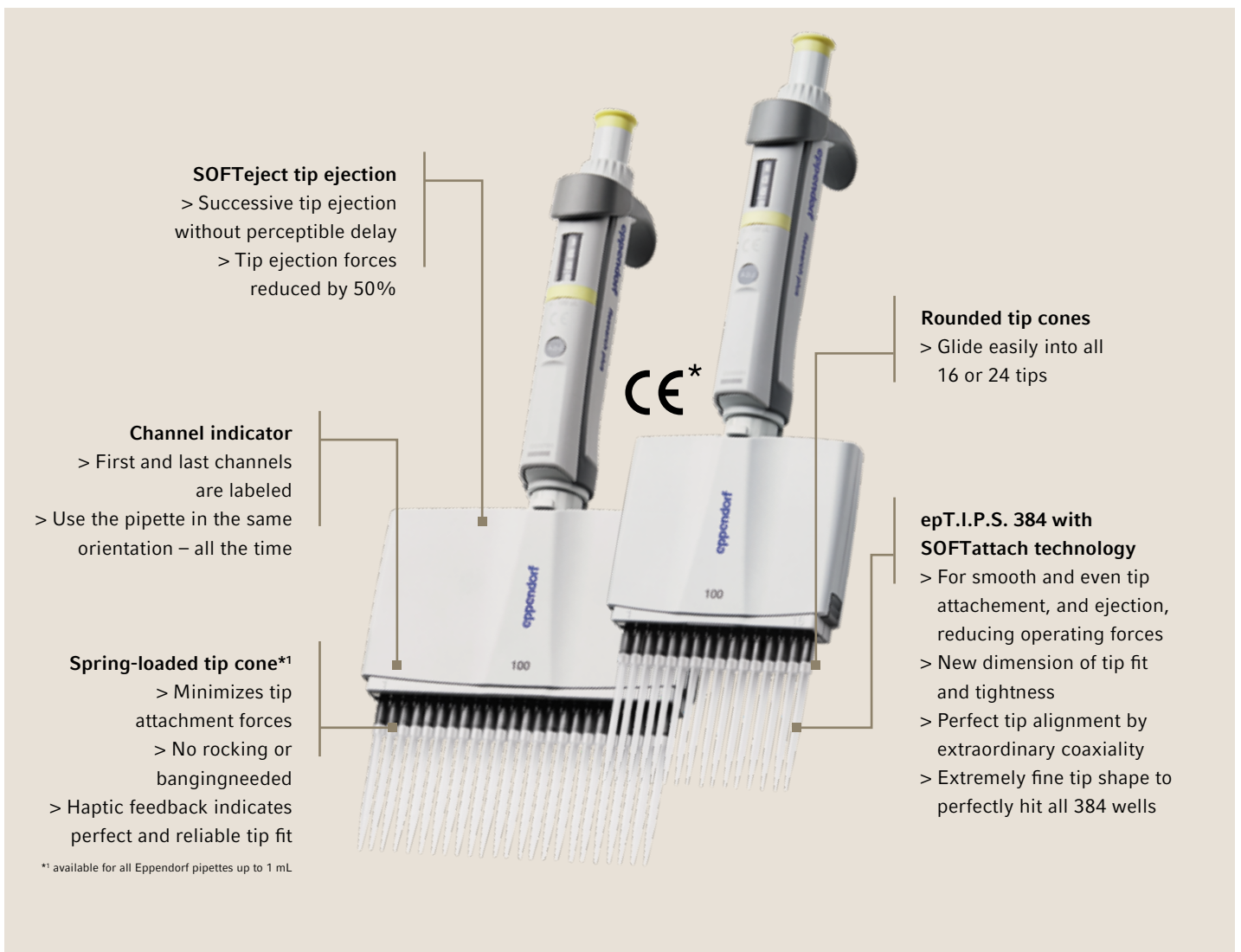
The new Eppendorf Research® plus 16 and 24-channel pipettes and epT.I.P.S.® 384 make working with 384-well plates convenient, ergonomic and safe.

* The Research plus pipette is designed and constructed for low-contamination transfer of liquids, in particular for samples from the human body and for reagents within the scope of an in-vitro diagnostic application in order to allow the in-vitro diagnostic medical device to be used as intended. This pipette is an in vitro diagnostic device according to Directive 98/79/EC of the European Parliament and the Council dated October 27, 1998.

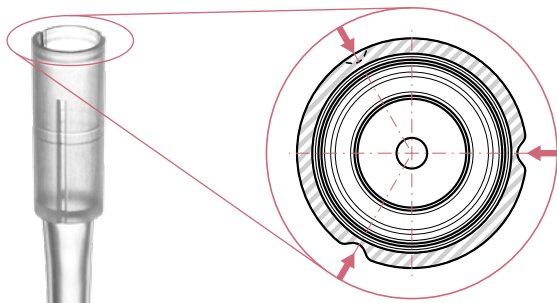
Fill 384 wells within a minute

- > No more mistakes or tedious work due to inconvenient alternate well pipetting with 8 and 12-channel pipettes
- > Set up or validate an automated process manually, and have a back-up system in case automation fails
- > Increase your throughput today and change from 96 to 384-well plates. There's no reason to hesitate anymore!

* The pipette tips of the epT.I.P.S. 384 product group with the respective product numbers are designed and constructed for low-contamination transfer of liquids, in particular for samples from the human body and for reagents within the scope of an in-vitro diagnostic application in order to allow the in-vitro diagnostic medical device to be used as intended. The above mentioned epT.I.P.S. 384 are in-vitro diagnostic devices according to Directive 98/79/EC of the European Parliament and the Council dated October 27, 1998. The epT.I.P.S. 384 are intended for use with the corresponding Eppendorf devices.



Ergonomics – Practiced Innovation



epT.I.P.S. 384 with SOFTattach technology – the key innovation

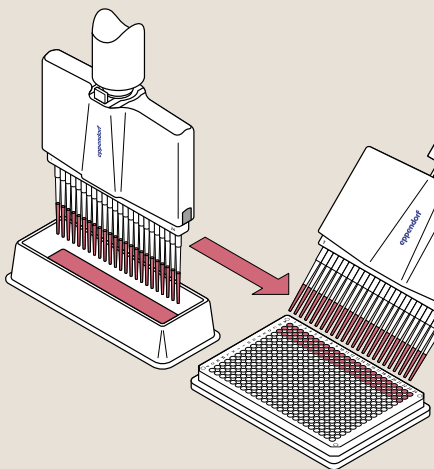
For the first time, pipette tips have elastic forming grooves. They allow the tips to stretch as much as necessary to enable a perfect seal while operating forces are reduced to a minimum.

Your benefit:

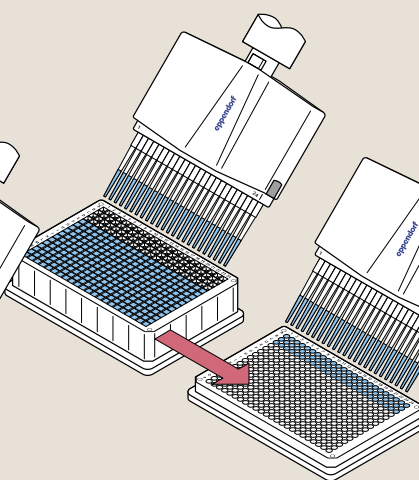
- > Outstanding and reliable tip fit and tightness
- > Reduced tip attachment and ejection forces

Applications for 384-Well Plates

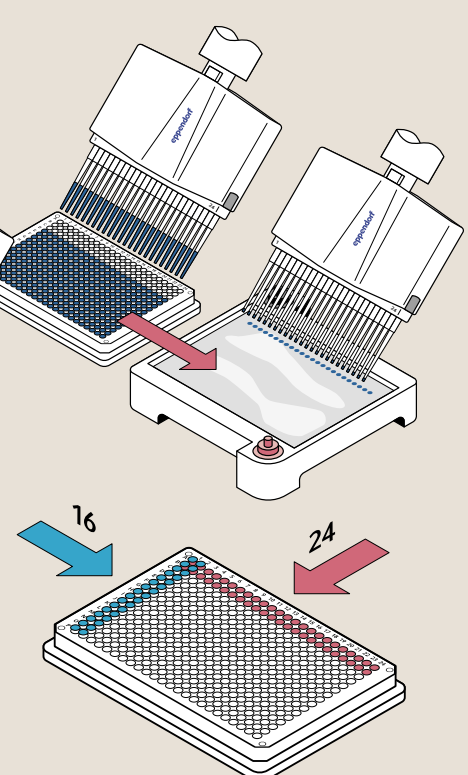
1 From reagent reservoir to 384-well plates



2 From 384 to 384-well plates



3 From 384-well plates to agarose gel



In vitro diagnostics

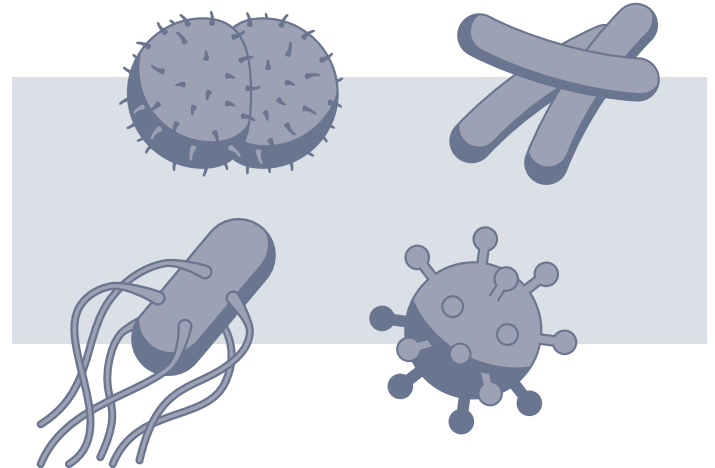
- > Immunoassays
- > Blood analysis
- > Allergy diagnostics

- > Detection of infectious diseases
- > Biochemical assays such as pyruvate – lactate reaction
- > CE-IVD kits, such as *real-time* PCR kits

For IVD Reagents and Reagent Kits Compatible with the 384-Well Plate Format

The Eppendorf Research plus 16- and 24-channel pipettes and epT.I.P.S. 384 are suitable for processing 384-well plates manually in the diagnostics field. Whether you work in clinical laboratories, IVD companies or blood banks for instance, the new system is compatible with IVD kits, reagents and consumables such as:

- > Real-time PCR IVD kits
- > IVD enzymes such as D-lactate-dehydrogenase
- > IVD antibodies
- > IVD antigens



Superior ergonomics

Ergonomic operation and energy saving. Reduced ejection forces and 40% lower tip attachment forces per cone:

- > **New epT.I.P.S. 384 with SOFTattach technology:** outstandingly smooth and even tip attachment
- > **Spring-loaded tip cone:** with haptic feedback there is no need for rocking and banging, one gentle touch, and done
- > **SOFTject:** 50% reduction of ejection forces by successive tip ejection



Reproducible results

High level reproducibility and user safety:

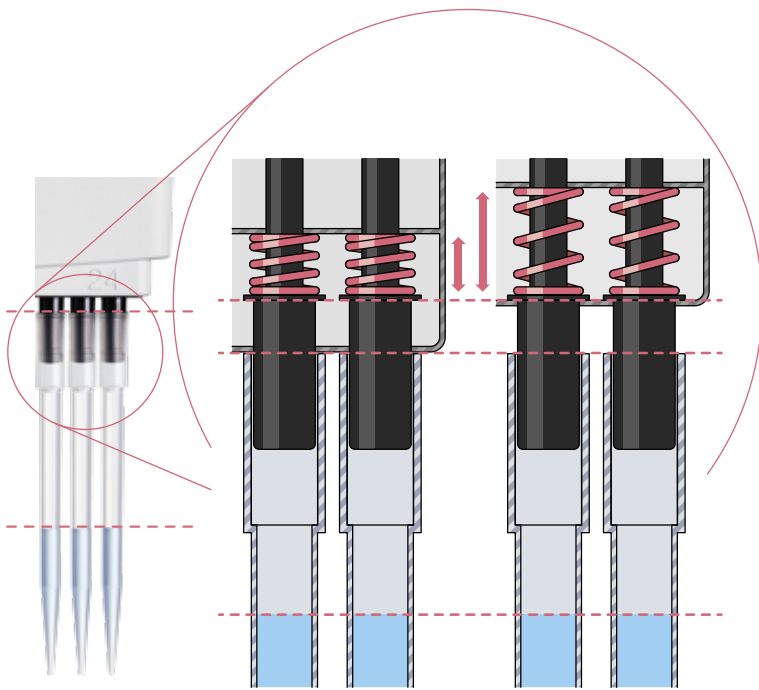
- > **Start 16 or 24 reactions simultaneously:** for equal starting conditions
- > **SOFTattach technology and optimal pipette-tip compatibility:** for reliable tip tightness
- > **Perfectly aligned epT.I.P.S. 384:** for safe plate maneuvering and liquid transfer



Time-saving

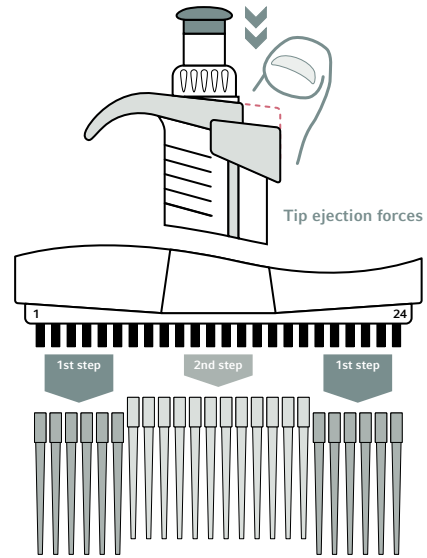
Alternate well pipetting with 8- or 12-channel pipettes is a thing of the past:

- > **In just one step:** process complete columns or rows with 16- and 24-channel pipettes
- > **Protects from accidental well misidentification and repeating of experiments**
- > **Improve efficiency with 384-well plates:** 50% reduction in pipetting steps by processing one 384 instead of four 96-well plates



Spring-loaded tip cone for ergonomic and safe work

- > Reduced tip attachment force
- > Haptic feedback indicates reproducible and safe tip fit
- > Uniform uptake of liquid



SOFTject for reduced tip ejection force

During a single tip ejection stroke, the outside tips eject before the inside tips. This reduces the tip ejection forces by 50%.

More IVD Products

For your pipetting tasks in a clinical or diagnostic laboratory, EU-IVD compliant pipetting systems, services and consumables by Eppendorf can support your documentation and accreditation requirements. Find more information on: www.eppendorf.com

epServices
for premium performance

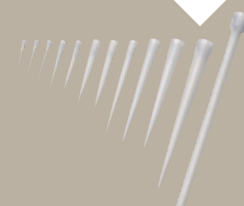
Eppendorf Services



Eppendorf IVD-consumables



Pipet holder system



Eppendorf IVD-tips

Ergonomics – Then and Now

Always focusing on scientists' needs

To sustainably support the health of our customers, Eppendorf introduced the PhysioCare Concept®. Our philosophy is to continuously listen to scientists' needs while challenging the status quo of existing tools. Eppendorf has surpassed themselves once again with the new system for 384-well plates by combining proven concepts with new innovations:

The already proven features, the **spring-loaded tip cone** and **SOFTject**, were combined with a further innovation – epT.I.P.S. 384 with **SOFTattach** technology. All these features combined ensure greater user safety and ergonomics at work:

- > Tip attachment – even and reliable
- > Tip ejection – smooth and easy
- > Per tip cone, attachment and ejection forces are significantly reduced
- > Perfectly aligned tips ensure safe plate maneuvering and liquid transfer



www.eppendorf.com/physiocare

Eppendorf Research® plus (multichannel, variable volume) (EU-IVD)

No. of channels	Volume	Color code	Order no.
16-channel	1–20 µL	■ light pink	3122 000.078
	5–100 µL	■ light yellow	3122 000.094
24-channel	1–20 µL	■ light pink	3122 000.086
	5–100 µL	■ light yellow	3122 000.108

epT.I.P.S.® (EU-IVD)

Tips 384	Available as	Tip size	Color code	epT.I.P.S.® 384 Order no.
Box (Eppendorf Quality™)	epT.I.P.S.® 384, 1 reusable box x 384 tips	20 µL	■ light pink	0030 076.087
		100 µL	■ light yellow	0030 076.095
Reload (PCR clean)	epT.I.P.S.® 384, 3,840 tips (10 trays x 384 tips)	20 µL	■ light pink	0030 076.060
		100 µL	■ light yellow	0030 076.079

Eppendorf Handling Solutions

How to prevent muscle strain during work

Everyday work in a laboratory puts high demands on our bodies. Visit our Liquid Handling website »Pipetting facts/Ergonomics« for helpful tips and tricks.



> Learn more about pipetting and have fun as well:
www.eppendorf.com/pipetting



Your local distributor: www.eppendorf.com/contact
 Eppendorf AG · Barkhausenweg 1 · 22339 Hamburg · Germany
eppendorf@eppendorf.com · www.eppendorf.com

www.eppendorf.com/ready-set-pipette