

Installation guide

Adapter for microscope Nikon Eclipse TS 100
English (EN)

These mounting instructions are a supplement to the operating manuals for the micromanipulators and are not a substitute, so also read the operating manuals before using the adapter for the first time. The current versions of the operating manuals can be found on the Internet at www.eppendorf.com.

1 Installation

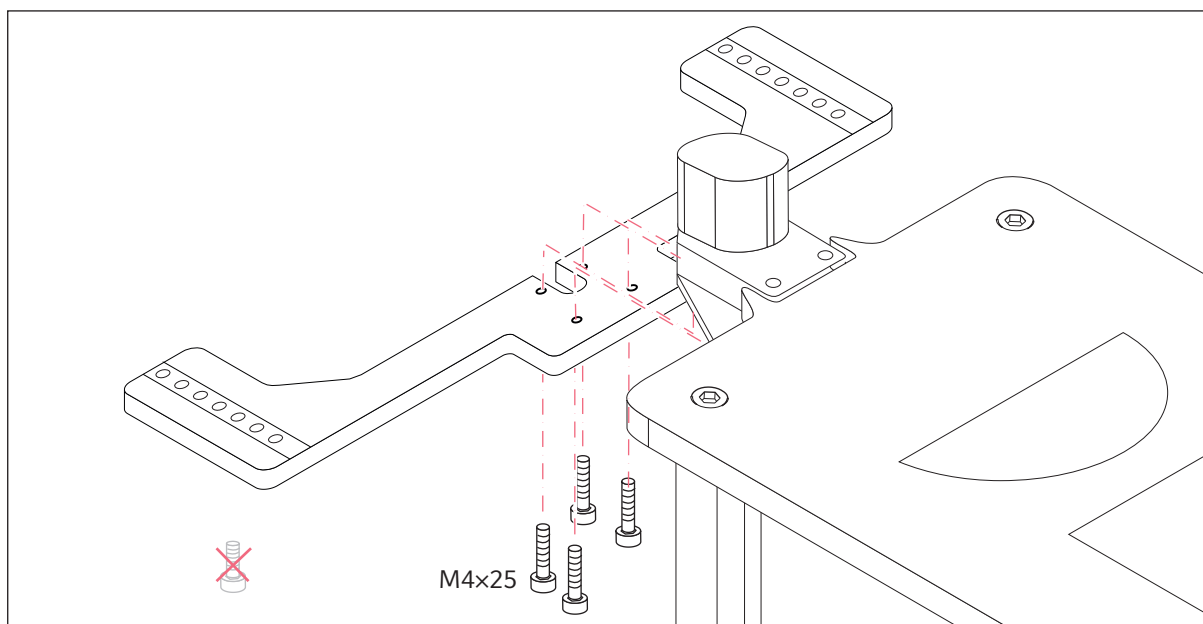
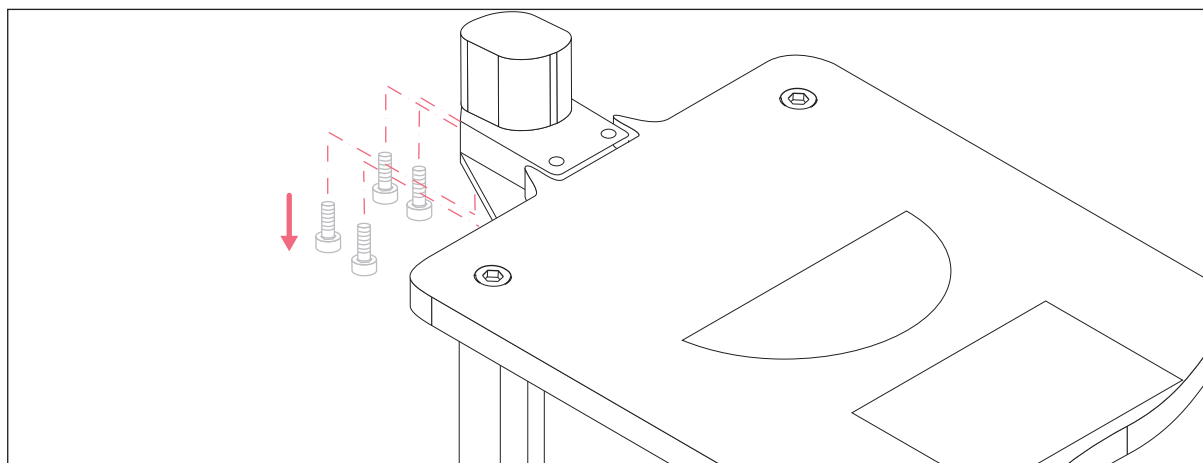
Adapter for mounting a micromanipulator to a microscope.

For Nikon microscope models:

- Eclipse TS 100

For Eppendorf micromanipulators:

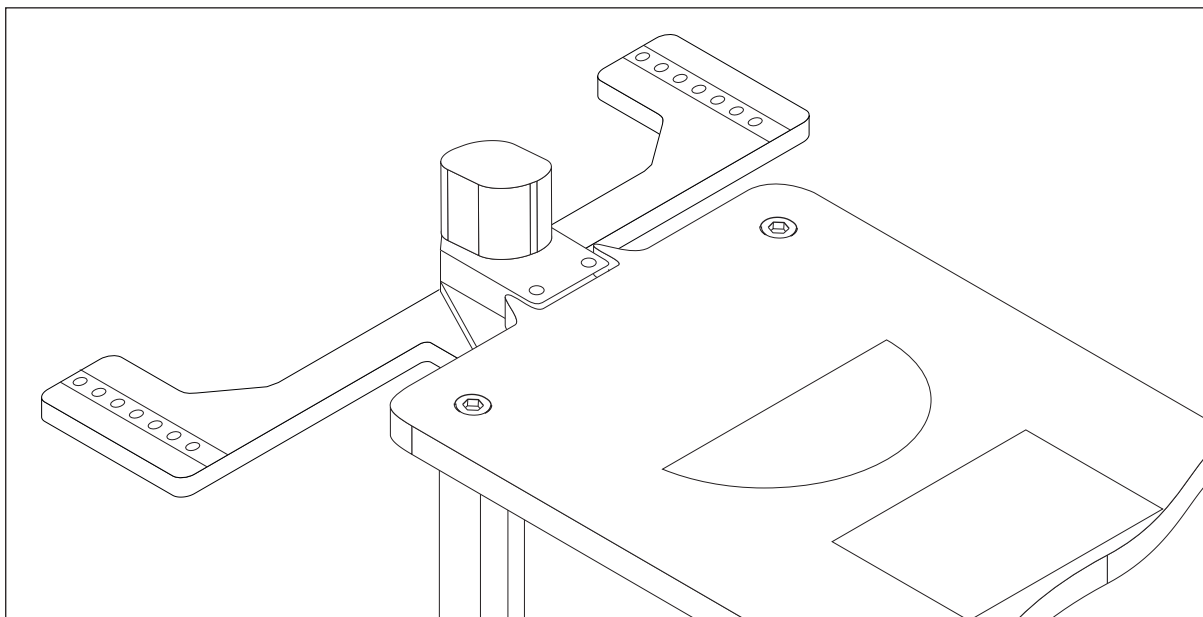
- InjectMan NI 2
- TransferMan NK 2
- PatchMan NP 2



Installation guide

Adapter for microscope Nikon Eclipse TS 100

English (EN)



2 Ordering information

Order no. (International)	Order no. (North America)	Description
5181 212.006	920008551	Adapter for microscope Nikon Eclipse TS100

Your local distributor: www.eppendorf.com/contact
Eppendorf AG · 22331 Hamburg · Germany
eppendorf@eppendorf.com · www.eppendorf.com