

## Installation guide

Universal Stand

English (EN)


These mounting instructions are a supplement to the operating manuals for the micromanipulators and are not a substitute, so also read the operating manuals before using the adapter for the first time. The current versions of the operating manuals can be found on the Internet at [www.eppendorf.com](http://www.eppendorf.com).

## 1 Compatible micromanipulators

Universal stand for Eppendorf micromanipulators:

- TransferMan® 4r
- TransferMan® 4m
- InjectMan® 4

## 2 Warning signs on the device

Warning symbol	Meaning
	Warns of magnetic field

## 3 Mounting the magnetic foot



### WARNING! Danger due to strong magnetic field

Magnetic fields may affect pacemakers and defibrillators. Pacemakers may be reset.

- ▶ Keep a distance of at least 20 cm from the magnet.
- ▶ In particular, be sure to keep the safety distance during installation.

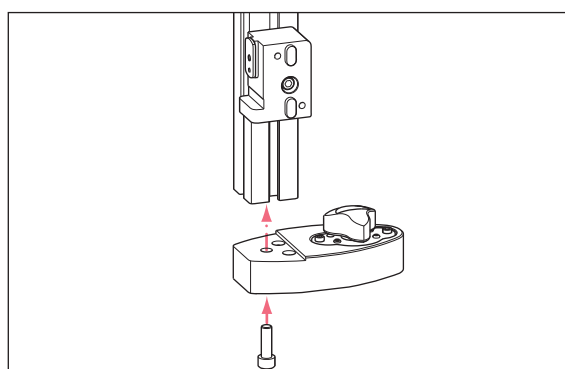
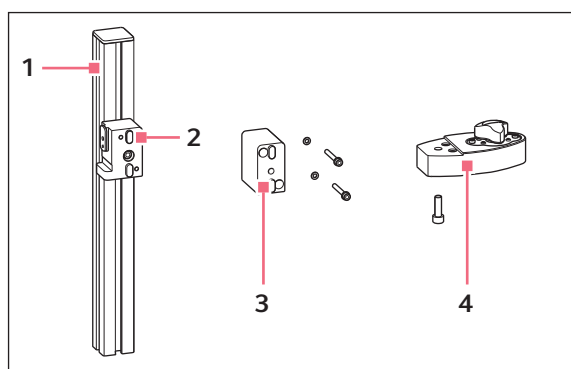


Fig. 1: Overview assembly and delivery package

1 Universal stand

2 Z-module holder

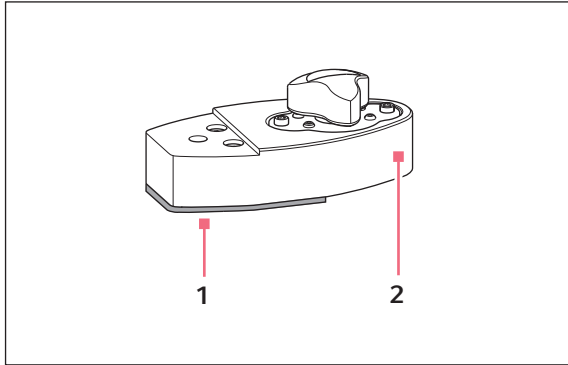
3 Spacer

4 Magnetic foot  
With short-circuit plate

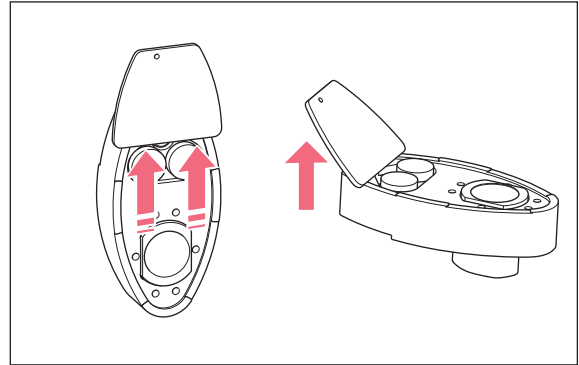
## Installation guide

Universal Stand  
English (EN)

### 3.1 Preparing the magnetic foot



1 Short-circuit plate



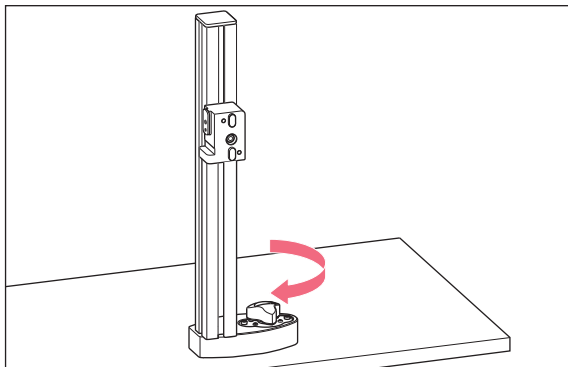
2 Magnetic foot

1. Slide the short-circuit plate forward.
2. Push against the short-circuit plate from below and remove it by lifting it.

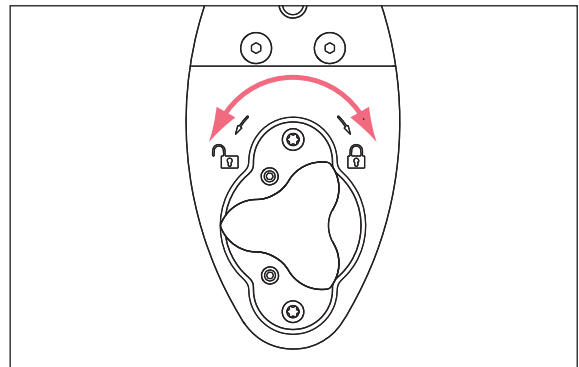
### 3.2 Fixing the magnetic foot

#### Prerequisites

- Ferromagnetic base (plate or table) is available.
- Base cannot tilt.



1. Place the universal stand on the base.
2. Turn the knob clockwise.
3. Check stability.



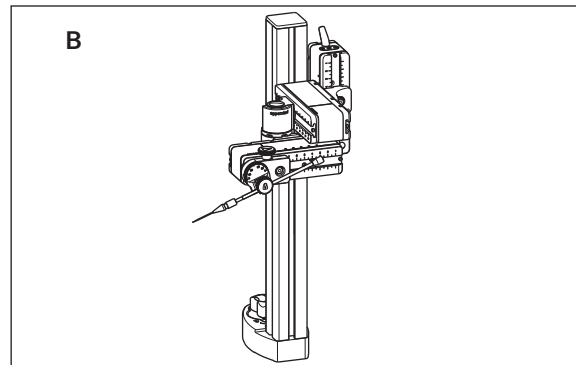
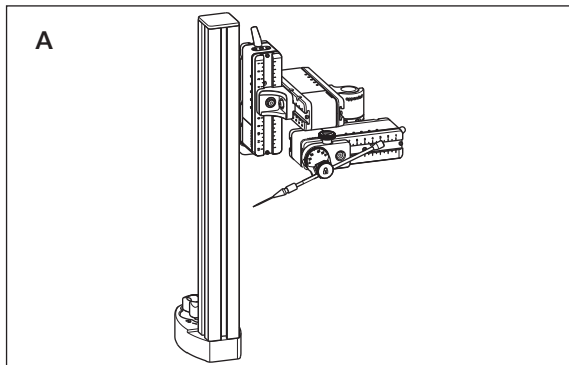
## 4 Mounting the motor module



**NOTICE! Risk of tipping over due to unstable stand.**

The universal stand may tip over and damage the motor module.

- ▶ Select a sufficiently stable base plate.
- ▶ Fix the magnetic foot.



### 4.1 Aligning the motor module

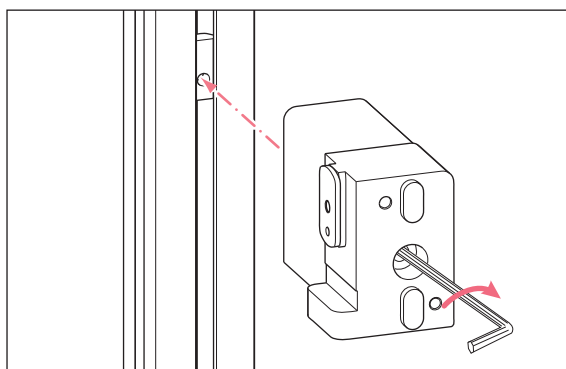
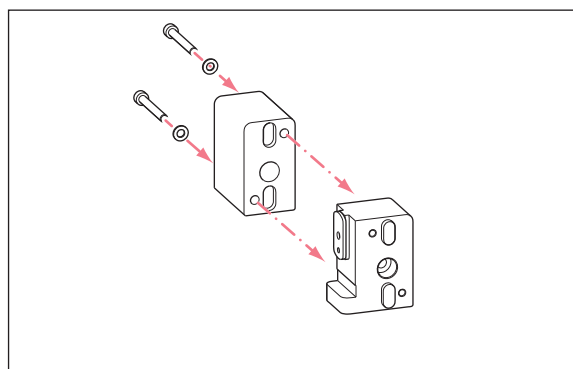
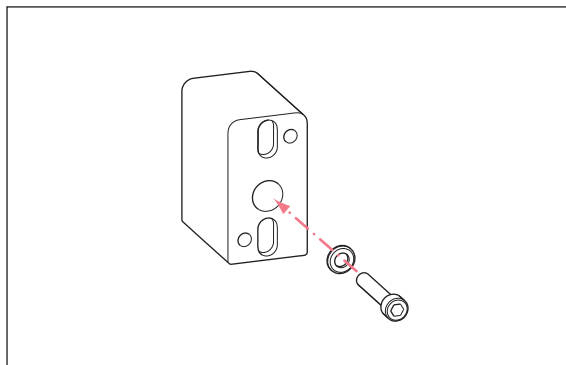
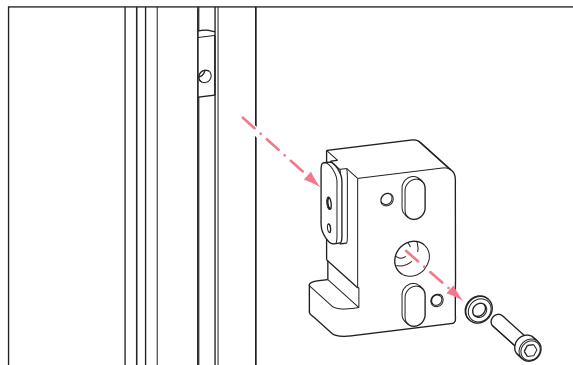
1. Hold the motor module in place.
2. Undo the screw on the Z-module holder.
3. Move the motor module to the desired height.
4. Tighten the screw.

## Installation guide

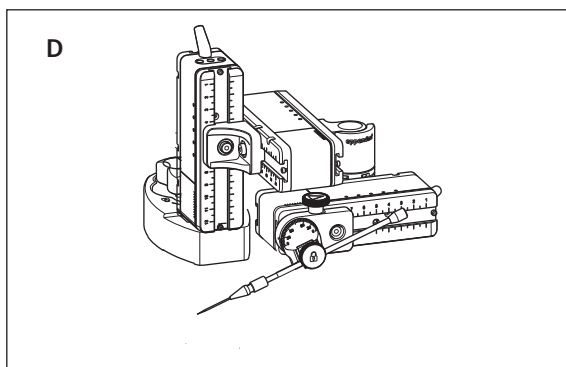
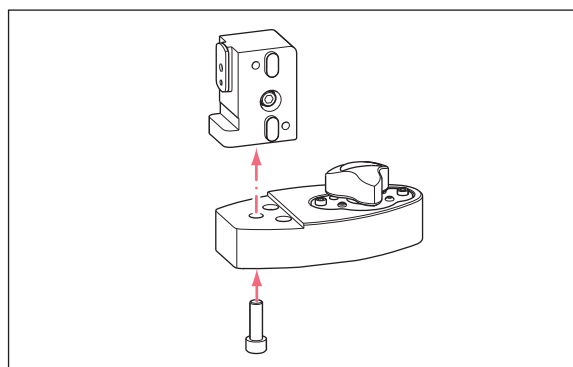
Universal Stand

English (EN)

### 5 Installation with spacer – variant C



### 6 Installation without stand – variant D



### 7 Ordering information

Order no. (International)	Order no. (North America)	Description
5192 325.007	5192325007	<b>Universal stand</b> for micromanipulators TransferMan 4m/4r, InjectMan 4

Your local distributor: [www.eppendorf.com/contact](http://www.eppendorf.com/contact)

Eppendorf AG · Barkhausenweg 1 · 22339 Hamburg · Germany  
[eppendorf@eppendorf.com](mailto:eppendorf@eppendorf.com) · [www.eppendorf.com](http://www.eppendorf.com)