

## Instructions for Use

Tip Tool

English (EN)

## 1 About this manual

### 1.1 Notes about this manual

This document supplements the operating manual of the product. This document does not replace the operating manual.

1. Read these instructions for use before using this product.
2. In addition, read the operating manual of the device with which you are using the accessories.

### 1.2 Other applicable documents

The following documents supplement this manual:

- Hardware manual of the device
- Software manual epBlue with MultiCon PC

## 2 Safety

### 2.1 Intended use

The Tip Tool is a tool for exclusively transferring epT.I.P.S. Motion pipette tips from racks and trays to the ReservoirRack module. The pipette tips must be empty and unused.

The Tip Tool is intended exclusively for use in research.

The Tip Tool is intended exclusively for indoor use and operation by trained specialists.

### 2.2 Residual risks when used as intended

If the product is not used as intended, the installed safety devices may not function correctly. To reduce the risk of personal injury and material damage and to avoid dangerous situations, please observe the general safety instructions.

#### 2.2.1 Material damage

The use of accessories and spare parts other than those recommended by Eppendorf SE may impair the safety, functioning, and precision of the device. Eppendorf SE cannot be held liable or accept any liability for damage resulting from the use of accessories and spare parts other than those recommended.

- Only use the accessories and spare parts recommended by Eppendorf SE.
- Only use accessories and spare parts that are in perfect technical condition.

## Instructions for Use

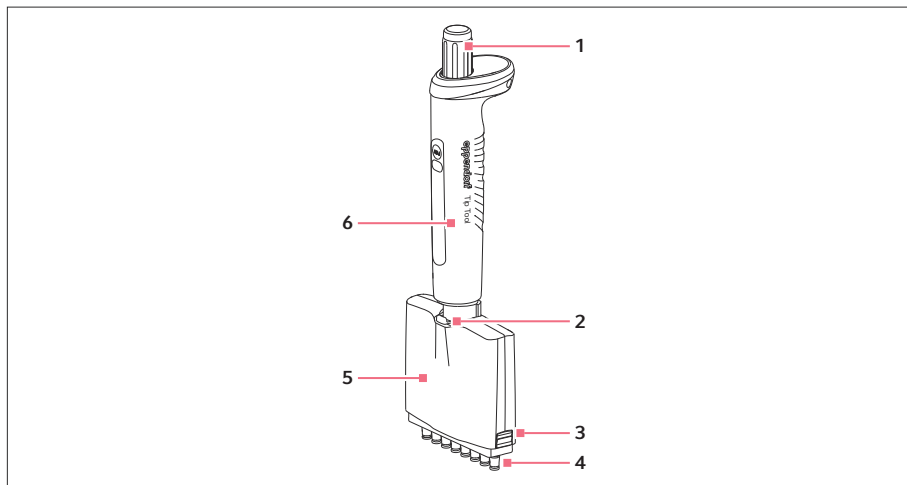
### 2 Tip Tool English (EN)

## 3 Product description

### 3.1 Features

You can use the Tip Tool to equip the ReservoirRack module with unused epT.I.P.S. Motion pipette tips. The Tip Tool can hold 8 pipette tips from a column of racks and trays.

### 3.2 Product overview



- |   |         |   |            |
|---|---------|---|------------|
| 1 | Ejector | 4 | Tip cones  |
| 2 | Lever   | 5 | Lower part |
| 3 | Latch   | 6 | Upper part |

## 4 Installation

### 4.1 Checking the delivery



Do not use the product if the packing or the contents are damaged. In case of damaged or missing parts, contact the Eppendorf SE customer service or your Eppendorf partner.

1. Check the packing and the contents for any visible external damage.
2. Check whether the delivery is complete and matches the order.

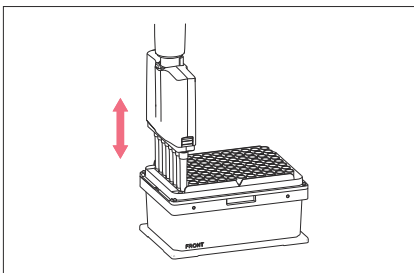
| Quantity | Description                          |
|----------|--------------------------------------|
| 1        | Tip Tool                             |
| 1        | Wall mount                           |
| 1        | O-rings for Tip Tool spare parts kit |
| 1        | Pipette holder 2                     |

## 5 Application

### 5.1 Taking up pipette tips

Prerequisites:

- The pipette tips are located in a rack.



1. Place the Tip Tool vertically from above onto the pipette tips.
2. Slightly press the Tip Tool onto the pipette tips.
3. Guide the Tip Tool with the pipette tips upward.

### 5.2 Ejecting pipette tips

1. Hold the Tip Tool with the attached pipette tips over the corresponding positions of the ReservoirRack module.
2. Press the ejector.  
The pipette tips are ejected.

## 4 Instructions for Use

### Tip Tool

English (EN)

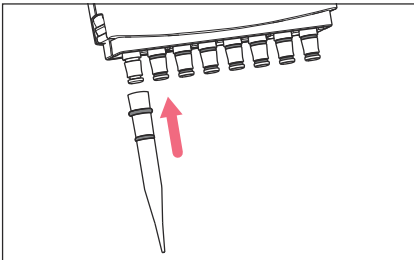
## 6 Maintenance

### 6.1 Service

#### 6.1.1 Replacing o-rings

Prerequisites:

- The o-rings are damaged.



1. Use your fingers to remove both o-rings from the tip cone.
2. Place a large o-ring on the tip supplied.
3. Place a small o-ring on the tip supplied.
4. Press the tip with the o-rings onto the tip cone.
5. Roll the o-rings off the tip.
6. Position the o-rings on the tip cone.

### 6.2 Cleaning

#### 6.2.1 Cleaning the Tip Tool in case of contamination

Protective equipment:

- Laboratory protective clothing

Material:

- Soap-based cleaning agent
- Cloth

1. Moisten the cloth with the cleaning agent.
2. Clean all accessible surfaces with the damp cloth.
3. Allow the Tip Tool to dry.

### 6.2.2 Carrying out spray contamination

Protective equipment:

- Laboratory protective clothing

Material:

- Deionized water
- Ethanol 70 %
- Cloth

1. Spray the surfaces with decontamination agent.
2. Allow the decontamination agent to take effect.
3. Moisten a cloth with deionized water.
4. Remove the decontamination agent with the cloth.
5. Allow the Tip Tool to dry.

### 6.2.3 Carrying out wipe decontamination

Protective equipment:

- Laboratory protective clothing

Material:

- Deionized water
- 3% - 4% sodium hypochlorite solution
- Cloth

1. Moisten the cloth with the decontamination agent.
2. Clean all accessible surfaces with the damp cloth.
3. Allow the decontamination agent to take effect.
4. Moisten another cloth with deionized water.
5. Remove the decontamination agent with the cloth.
6. Allow the Tip Tool to dry.

### 6.2.4 Autoclaving the Tip Tool

To autoclave the Tip Tool, the lower part does not need to be removed.

## 6 Instructions for Use

### Tip Tool

English (EN)

Protective equipment:

- Laboratory protective clothing

Material:

- Deionized water
- Cloth

Prerequisites:

- The Tip Tool is free from decontamination agents and cleaning agents.

1. Place the Tip Tool into the autoclave.
2. Make sure that the Tip Tool does not touch the walls of the autoclave.
3. Autoclave for at least 20 min.
4. Remove the Tip Tool from the autoclave.
5. Moisten a cloth with deionized water.
6. Use the cloth to clean the surfaces.
7. Allow the Tip Tool to dry.

### 6.2.5 Performing UV irradiation

You can sterilize the Tip Tool with UV light at a wavelength of 254 nm.

## 7 Disposal

### 7.1 Preparing for disposal

#### Preparing disposal in accordance with legal regulations



For information on the legal regulations that apply in your country, please contact your local competent authority or your Eppendorf partner.



Dispose of non-decontaminable devices as hazardous waste.

1. Check which legal regulations apply to disposal in your country.
2. Choose a certified disposal company or contact your Eppendorf partner.

## Creating a decontamination certificate

Prerequisite:

- The device has been decontaminated.

1. Download a decontamination certificate from our webpage [www.eppendorf.com](http://www.eppendorf.com).
2. Complete the decontamination certificate.

## 7.2 Handing over the device to the disposal company

1. Inform the disposal company of any hazards posed by the device, e.g., locking devices, flammable substances.
2. Hand over the device and the decontamination certificate to the certified disposal company.

## 8 Technical data

### 8.1 Dimensions

|        |        |
|--------|--------|
| Width  | 85 mm  |
| Height | 35 mm  |
| Depth  | 230 mm |

### 8.2 Weight

|          |       |
|----------|-------|
| Tip Tool | 155 g |
|----------|-------|

### 8.3 Application parameters

|                     |   |
|---------------------|---|
| Usable pipette tips | epT.I.P.S. Motion 10 µL<br>epT.I.P.S. Motion 50 µL<br>epT.I.P.S. Motion 300 µL<br>epT.I.P.S. Motion 1000 µL |
|---------------------|---|

## Instructions for Use

Tip Tool

English (EN)

### 9 Ordering information

| Description   | Order no.    |
|---|--------------|
| <b>O-rings for tip tool</b><br>spare part set with 2 x 10 O-rings and mounting aid  | 5285 601 000 |
| <b>Pipette Holder 2</b><br>for one Eppendorf Research®, Eppendorf Research® plus, Eppendorf Reference®, Eppendorf Reference® 2, Biomaster® or epMotion® Tip Tool<br>for Pipette & Charger Carousel 2 or wall mounting, sticky tape included | 3116 000 112 |
| <b>Tip Tool</b><br>tool for exclusively transferring epT.I.P.S.® Motion from racks and trays to the ReservoirRack modules for tips, incl. wall mount for safe storage of the tool   | 5285 000 000 |

Your local distributor: [www.eppendorf.com/contact](http://www.eppendorf.com/contact)

Eppendorf SE · Barkhausenweg 1 · 22339 Hamburg · Germany

[eppendorf@eppendorf.com](mailto:eppendorf@eppendorf.com) · [www.eppendorf.com](http://www.eppendorf.com)