

Instructions for use epMotion® gripper English (EN)

1 Main illustration

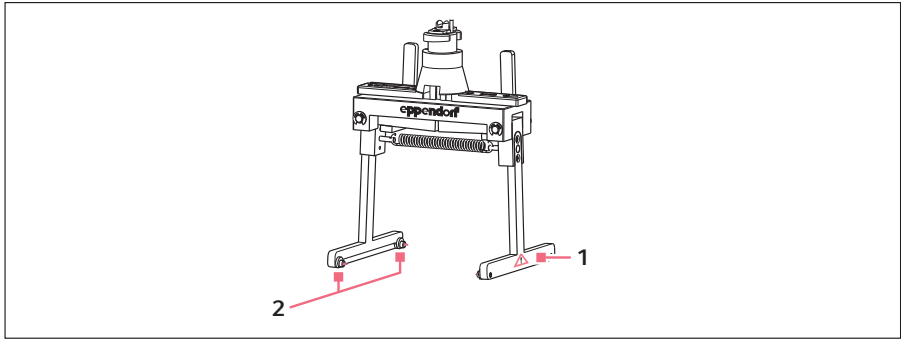


Fig. 1: Gripper

1 Gripper arm

2 Pins

2 Unpacking the gripper



CAUTION! Risk of injury from mandrels on the gripper arms.

Each gripper arm has 2 sharp mandrels on the inside.

- ▶ Touch the tube sleeves at the outer end.

1. Remove the tube sleeves from the gripper jaws.
2. Remove the polystyrene block on the gripper.

3 Using the gripper

For information on how to use and clean the gripper and on its technical data, please refer to the epMotion operating manual.

Your local distributor: www.eppendorf.com/contact

Eppendorf AG · 22331 Hamburg · Germany

eppendorf@eppendorf.com · www.eppendorf.com