

Keep this rotor instruction manual and the centrifuge manual in the file.

Swing Rotors for Ultracentrifuge

P55ST2

Before using these rotors, please carefully read this instruction manual, "ROTORS, TUBES, BOTTLES AND CAPS", and the centrifuge instruction manual for its efficient operation and for your safety.

Keep this instruction manual for your reference and refer to it as required.

Contents

1. Specifications	_____	1
2. Applicable tubes/bottles	_____	2
3. How to use	_____	3
4. Maintenance	_____	6
5. Using cesium chloride	_____	8
6. Packing list	_____	9
7. Decontamination	_____	10
8. Rotor retirement	_____	10



Part No. { RLM rotor
9122770M
Rotor with optical adapter
91227700
Rotor with optical disk
9122771C



2022.01
99999718

Original instruction manual

Safety Reminder

- Centrifuge rotors rotating at high speed have considerable potential for damage to personal properties if used improperly.
For safe and proper use of this rotor, carefully read the centrifuge instruction manual and this rotor instruction manual before use and observe the instructions.

 **WARNING :** and  **CAUTION :** notes are used to call your attention in this manual to prevent personal injury or damage to the rotor and the centrifuge.
These notes are defined as follows.

 **WARNING:** indicates a potentially hazardous situation which, if not avoided, could result in personal severe injury or possible death.
 **CAUTION:** indicates a hazardous situation which, if not avoided, could result in personal injury or severe damage to the instrument.

WARNING

- Never use any material capable of producing flammable or explosive vapors. Your centrifuge is not explosion proof centrifuge and your rotor is not explosion proof rotor.
- Your centrifuge and rotor are not designed to confine any sample particles dispersed due to leakage. Therefore, when using toxic or radioactive samples or pathogenic or infectious blood samples, make sure to prepare necessary safety measures at your own responsibility.
- Never exceed the maximum speed of the rotor(mentioned on the rotor).
Always reduce rotor speed as instructed in this manual when rotor speed is limited due to sample density or kinds of tubes.
- Check the chemical resistance chart attached the rotor, and do not use any sample inapplicable to the rotor(including buckets). Using such a sample could corrode the rotor(including buckets).
- Do not remove the RLM adapter or optical adapter/disk from rotor, or replace it with the adapter/disk for another rotor. The adapter/disk is critical component that detects the over-speed of rotor. If an adapter/disk that is not compatible with the rotor is attached, the rotor could break, resulting in damage to the centrifuge.
- Do not allow the rotor temperature to rise 100°C.: This would cause the material brittle.
- Never sterilize the rotor by autoclaving or boiling. Otherwise the strength of rotor may be significantly decreased.
- When using swing rotor, be sure to set all buckets of the same type whether or not samples are put in buckets: Failure to do so could not only cause the rotor to vibrate, but could result in the rotor being deformed and the buckets becoming detached, which is very dangerous.
- If the centrifuge, rotor, or an accessory is contaminated by samples that toxic or radioactive, or blood samples that pathogenic or infectious, be sure to decontaminate the item according to good laboratory procedures and methods.
- If there is a possibility that the centrifuge, rotor, or an accessory is contaminated by samples that might impair human health (for example, samples that are toxic or radioactive, or blood samples that are pathogenic or infectious), it is your responsibility to sterilize or decontaminate the centrifuge, rotor, or the accessory properly before requesting repairs from an authorized sales or service representative.
- It is your responsibility to sterilize and/or decontaminate the centrifuge, rotor, or parts properly before returning them to an authorized sales or service representative.

CAUTION

- Check the chemical resistance chart attached to the rotor, and do not use any sample inapplicable to the tubes or the tube adapter. Using such a sample could deteriorate them.
- The allowable speed may be lower depending on the density of sample, use of salt-such as cesium chloride-or the combination of tubes and tube adapters. Refer to this instruction manual.
- Always balance the tubes and samples within the allowable imbalance of rotor, including the tube adapters. Do not exceed the allowable imbalance. Otherwise the rotor and the centrifuge may be damaged.
- Do not load only one tube or load tubes asymmetrically : Asymmetrically loading may cause imbalance operation and damage the centrifuge and rotor.
- Clean the inside of the drive hole (crown hole) of the rotor and the surface of the drive shaft (crown) of the centrifuge once a month. If the drive hole or the drive shaft is stained or any foreign matter is adhered, the rotor may be improperly installed and come off during operation.
- Use the rotor tubes and bottles within their actual capacities.
- Do not use tubes that have exceeded their life expectancy. Failure to do so could result in damage of tubes and the rotor and the centrifuge. The life expectancy of tubes depends on factors such as the characteristics of samples, speed of the rotor used, and temperature. Always check for deterioration and damage (cracks, deformation, and so on) on tubes before using them. Do not use the tubes if you find such a problem.
- Inspect and maintain the rotor after use. If abnormality is observed, do not use it.
Contact an authorized sales or service representative.

1. Specifications

1.1 Construction

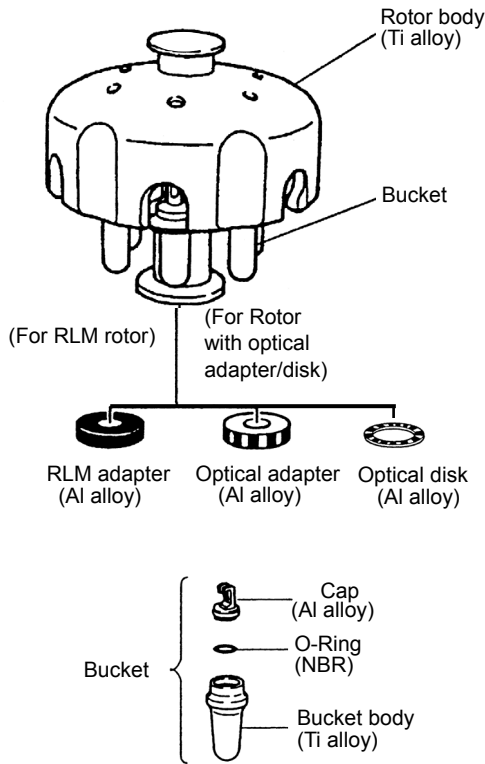


Fig.1-1. Construction of P55ST2 rotor

1.2 Specifications

- Max. speed: 55,000 rpm
- Max. RCF: 366,000 × g
- Allowable density at maximum speed of the rotor: 1.2g/mL
- K Factor at maximum speed of the rotor: 50
- Nominal rotor capacity: 5 mL × 6 tubes = 30 mL
- Material of rotor: Ti alloy
- Tube size: ϕ 1.3 × 5.2 cm
- Weight: 5.5 kg
- Max. diameter: 16.5 (21.8) cm
- Max. height: 18.2 cm

(The numerical value in parentheses is maximum diameter measured with the bucket swinging.)

⚠ CAUTION:

- Do not use a RLM rotor with the centrifuge other than a series of a CP-NX/WX/MX/α ultracentrifuge.
- Do not use rotor with optical adapter/disk with model 55P and 40P (old type centrifuge).

1.3 Cross-sectional view of rotor

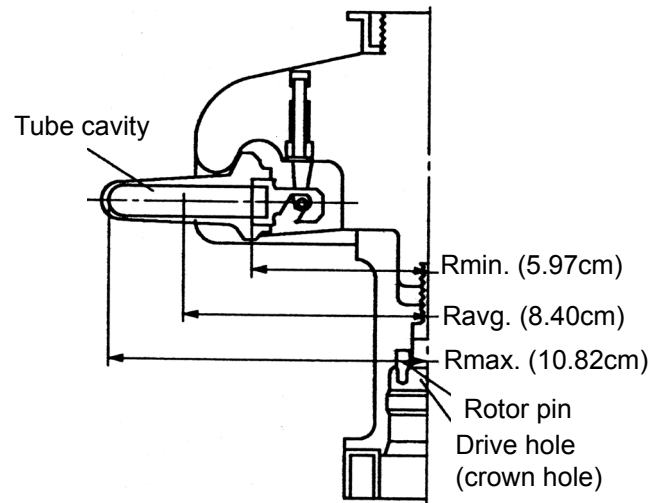


Fig.1-2. Cross-sectional view of P55ST2 rotor

⚠ CAUTION:

Clean the inside of the drive hole (crown hole) of the rotor and the surface of the drive shaft (crown) of the centrifuge once a month. If the drive hole or the drive shaft is stained or any foreign matter is adhered, the rotor may be improperly installed and come off during operation.

1.4 Characteristic of rotor

Table 1-1. Characteristic of P55ST2

Rotor Speed (rpm)	RCF (×g)			K factor
	Rmax.	Ravg.	Rmin.	
10,000	12,100	9,390	6,670	1,506
20,000	48,400	37,600	26,700	377
30,000	109,000	84,500	60,100	167
40,000	194,000	150,000	107,000	94
50,000	302,000	235,000	167,000	60
55,000	366,000	284,000	202,000	50

※For detail about K factor, refer to "ROTORS, TUBES, BOTTLES AND CAPS (Part No.S999204)" attached to the centrifuge.

Calculation formula

$$RCF = 1.118 \times 10^{-5} \times R \times N^2 (\times g)$$

R: Rotating radius (cm)

N: Speed (rpm)

2. Applicable tubes/bottles

2.1 Applicable tubes/bottles

Table 2-1. Applicable tubes/bottles

Nominal capacity (mL)	Tubes/Bottles				Tube adapter		Cap		Max. speed (rpm)	Max. RCF (xg)
	Part No.	Name	Size (φ XL cm)	Actual capacity (mL/tube)	Part No.	Name	Part No.	Name		
5	332245A	5PA tube	1.3 X 5.2	4.9	---	---	---	---	55,000	366,000
	S303273A	5PET tube	1.3 X 5.2	5.3	---	---	---	---	55,000	366,000
3	S301599A	3PC tube	1.3 X 5.1	3.4	---	---	---	---	55,000	366,000
0.9	S304296A	0.9PC thick-walled tube	0.8 X 5.0	0.7	336697A	2S5 adapter	---	---	40,000	189,000

* The material of tube adapter: Polyacetal

⚠ CAUTION: ● When using 2S5 adapters with 0.9PC thick-walled tubes, run the rotor at 10°C or less, otherwise the tubes deform during operation. As a result, it can be impossible to remove the tubes from 2S5 adapters.

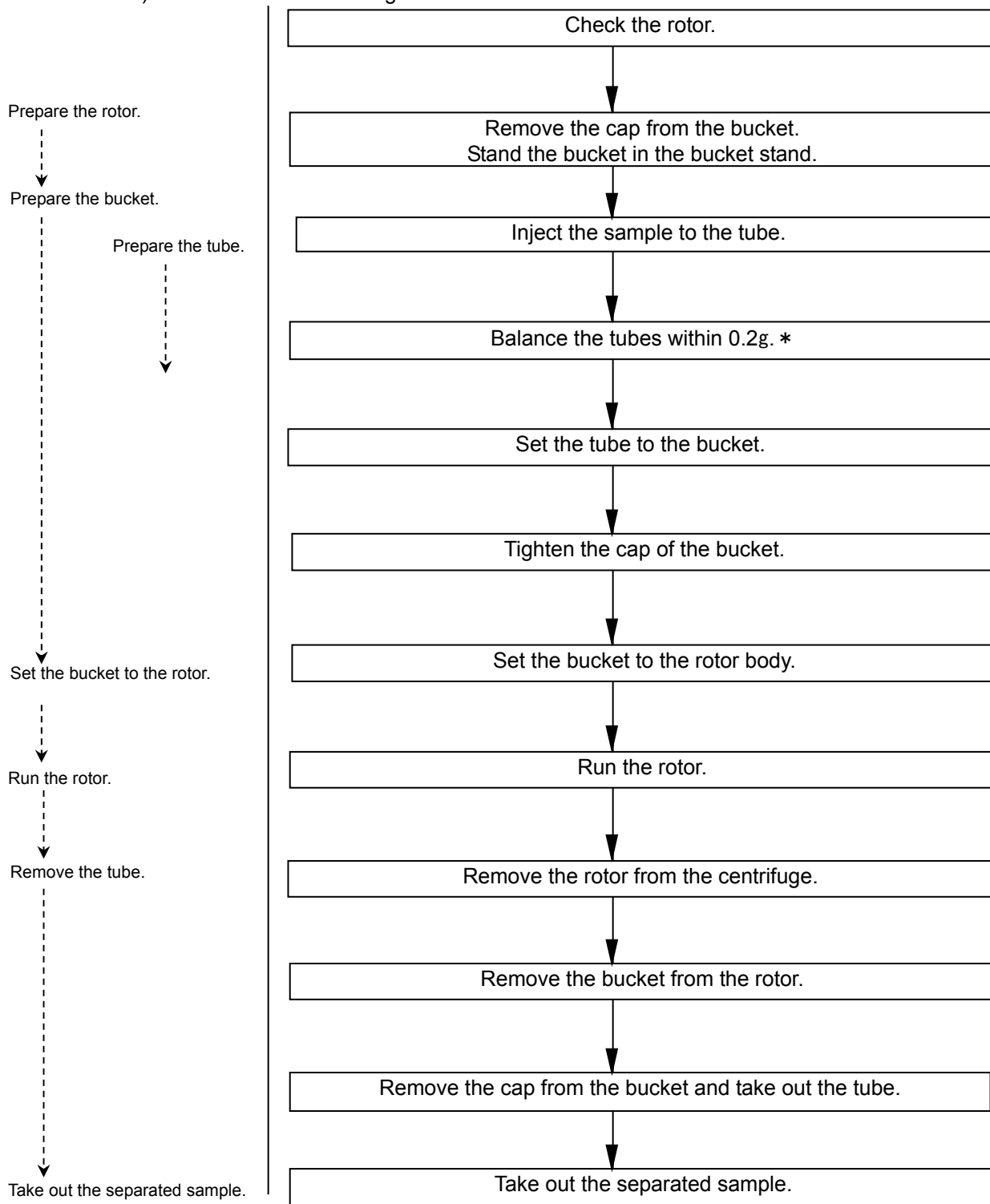
- When using 0.9PC thick-walled tubes with 2S5 adapters, 0.9PC thick-walled tubes are disposable.
- Chemical resistance and the strength of tubes varies with speed, temperature, and so on. Before using sample, fill tubes with water, buffer solution, etc. instead of sample and run them at the intended speed, temperature, and so on to ensure that there is no abnormality.

Refer to "ROTORS, TUBES, BOTTLES AND CAPS (Part No. S999204)" for the cleaning and sterilization of the tubes/bottles.

3. How to use

How to use tubes/bottles varies in the kinds of tubes/bottles. The brief procedure of tubes/bottles handling is described as follows.

For the detail about handling tubes/bottles, refer to "ROTORS, TUBES, BOTTLES AND CAPS (Part No.S999204)" attached to the centrifuge.



(*) When using CP-NX series, CP-WX series, CP-MX series, or CP- α/β series, approximately even quantities of sample in the tubes are sufficient for balancing, and extremely different sample quantities must be avoided. (The levels of samples in the tubes should be approximately equal. Their difference should be within 5mm.)

For some kinds of tubes, if a small quantity of a sample is injected to them, the rotor can not be used at the allowable maximum speed. Tube deformation may occur due to a small quantity of a sample during operation.

=For handling=

● Allowable speed of rotors

1. To centrifuge a sample of an average density more than 1.2g/mL.
Determine the allowable speed from the following equation.

$$\text{Allowable speed(rpm)} = 55,000(\text{rpm}) \times \sqrt{\frac{1.2 (\text{g} / \text{mL})}{\text{Mean density of sample(g/mL)}}$$

2. The allowable speed may be lower depending on the density of a sample when using of salt-such as cesium chloride. Refer to "5. Using cesium chloride" for the detail.
3. The allowable speed may be lower depending on the combination of tubes and tube adapter, etc. Refer to "2. Applicable tubes/bottles"
4. Reduce the rotor speed when the rotor has reached the primary life. Refer to "4. Maintenance●Life of rotor".

● Tube/Bottle

Before operation, check whether the combination of tubes and tube adapter is properly or not.

Fill the tube up to within 3mm from the top of the tube with sample.

Refer to "2. Applicable tubes/bottles" in this manual and "ROTORS, TUBES, BOTTLES AND CAPS(Part No. S999204)".

● Handling the rotor



WARNING :

- Never exceed the maximum speed of the rotor(mentioned on the rotor). Otherwise, rotor may be damaged and result in damage to the centrifuge.
- Check the chemical resistance chart attached the rotor (including buckets), and do not use any sample inapplicable to the rotor. Using such a sample could corrode the rotor(including buckets).



CAUTION :

- Do not load only one tube or load tubes asymmetrically : Asymmetrically loading may cause imbalance operation and damage the centrifuge and rotor.
- Balance the tubes/bottles and the samples including the caps and the tube adapters within the allowable imbalance of the rotor.
Do not exceed the allowable imbalance. Otherwise, the centrifuge or the rotor may be damaged due to excessive imbalance operation.
- If foreign matter adheres to the rotor(including buckets), wipe it off promptly. Otherwise, the rotor(including buckets) may be corroded.

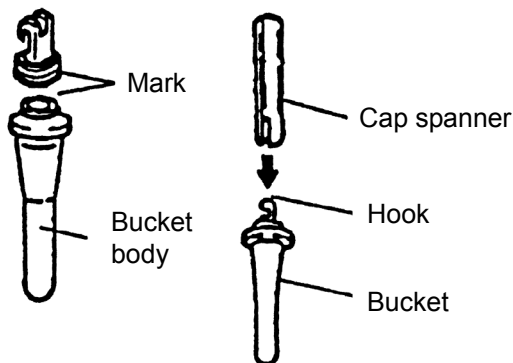
Set the balanced tubes to the rotor symmetrically.

<Tightening the cap to the bucket>



CAUTION :

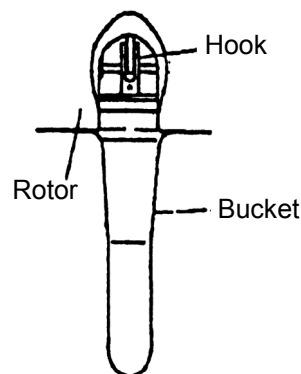
Imperfect tightening of the cap may cause imbalance operation and it may happen the serious accident.



Tighten the numbered cap to the same numbered bucket with the supplied cap spanner to match each mark of the bucket and the cap.

Tighten the cap until the bottom of the cap bumps to the bucket and the cap must be adjusted to the match mark of the bucket.

<Setting the bucket to the rotor>



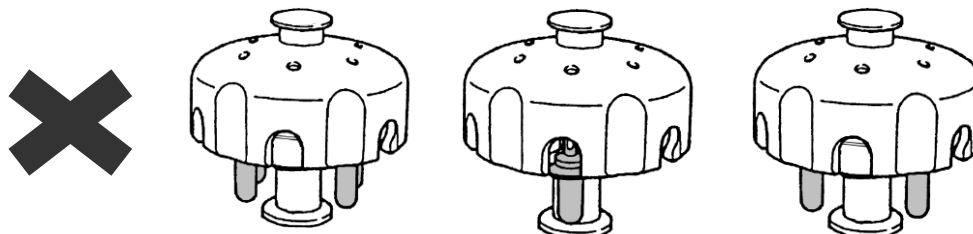
Hang the hook of the bucket on the pin of the rotor.

Match the numbered buckets with number of rotor and set the buckets to the rotor.

⚠ WARNING :

Be sure to set all buckets of the same type whether or not samples are put in buckets: Failure to do so could not only cause the rotor to vibrate, but could result in the rotor being deformed and the buckets becoming detached, which is very dangerous. Never use buckets made by other companies, or any other type of bucket that is not exclusively made for the rotor even if it is made by us.

< Examples of incorrect bucket setting >



Tighten the cap to the bucket securely. Set the bucket to the rotor securely.

⚠ WARNING :

Before setting a rotor in ultracentrifuge, make sure that buckets have been securely installed in the rotor: Incorrect installation of buckets in rotor could damage the rotor or detach the buckets, which is very dangerous.

⚠ CAUTION :

Inspect and maintain the rotor after use. If abnormality is observed, do not use it. Contact an authorized sales or service representative

● Sample limitation

⚠ WARNING :

- Never use any material capable of producing flammable or explosive vapors. Your centrifuge and rotor are not designed to confine any sample particles dispersed due to leakage.
- When using toxic or radioactive samples or pathogenic or infectious blood samples, make sure to prepare necessary safety measures at your own responsibility.

● The rotor life management of the rotor with optical adapter/disk

⚠ CAUTION :

Each time the rotor with optical adapter/disk is used, be sure to enter the results in the “rotor log book”. Failure to do so will disable management of the life of rotor. No entry is needed for RLM rotor.

● RLM adapter and Optical adapter/disk

⚠ WARNING :

Do not remove the RLM adapter or optical adapter/disk from rotor, or replace it with the adapter/disk for another rotor. The adapter/disk is a critical component that detects the over-speed of rotor : If an adapter/disk that is compatible with the rotor is attached, the rotor could break, resulting in damage to the ultracentrifuge.

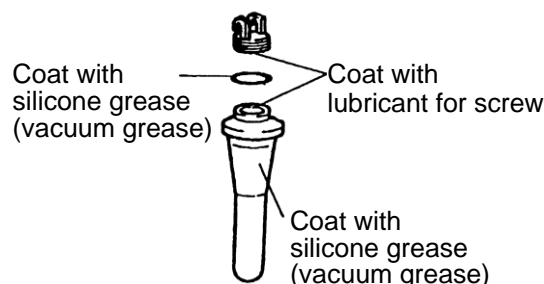
⚠ CAUTION :

- Do not bring the RLM adapter near a magnet, or scratch it: Doing so will erase the memory stored in adapter, and make the rotor unusable. To prevent the adapter from being scratched, store the rotor with RLM adapter, using the stand provided with the rotor (rotor stand for protecting adapter). If the adapter is scratched, immediately stop using rotor and contact an authorized sales or service representative.
- Take great care not to scratch the optical adapter/disk: Any scratch on adapter/disk will make the rotor unusable. To prevent the adapter/disk from being scratched, store the rotor with optical adapter/disk, using the stand provided with the rotor (rotor stand for protecting adapter/disk). If the adapter/disk is scratched, immediately stop using rotor and contact an authorized sales or service representative.
- If sample etc. adheres to the RLM adapter or optical adapter of rotor, immediately wipe it off with a soft cloth etc. If the RLM adapter or optical adapter corroded, the rotor will be unusable.

4. Maintenance

●Maintenance of rotor

<p>⚠ WARNING : Do not allow the rotor temperature to rise over 100°C. Otherwise, the rotor can be brittle.</p> <p>⚠ CAUTION : Use a neutral detergent having a pH between 5 and 9. Otherwise, the rotor can be corroded.</p>
--



Wash the bucket with tap water or a dilute solution of neutral detergent and rinse it out with distilled water. Turn the bucket upside down with the cap removed to dry it well. Check the bucket is completely dried and then put the light coat of silicone grease (vacuum grease) on the surface of the bucket, the light coat of lubricant for screw on the thread portion, the light coat of silicone grease (vacuum grease) on the O-ring and the gasket. Store them in a dry place. If foreign matter adheres to the bucket, soak the bucket in warm water in one or two hour and remove foreign matter with a soft brush etc. Use a neutral detergent having a pH between 5 and 9. If you can not remove it, contact an authorized sales or service representative. Wipe the stain off the rotor body and then put the light coat of silicone grease (vacuum grease) on the surface of the rotor body. Store it in a dry place. Put the light coat of silicone grease (vacuum grease) inside the drive hole(crown hole) and then wipe it out with a soft cloth.

●Sterilizing rotor

<p>⚠ WARNING : Never sterilize the rotor(including buckets) by autoclaving or boiling. Otherwise the strength of rotor(including buckets) may be significantly decreased.</p> <p>⚠ CAUTION : Do not sterilize the tube adapters made of plastic by autoclaving or boiling. Otherwise the tube adapters may be deformed. Such the tube adapters can not be used.</p>

Sterilize the rotor according to either gas sterilization method (ethylene oxide or formaldehyde) or chemical sterilization method (70% ethanol, 3% hydrogen peroxide, 3% formalin). Sterilize the tube adapters made of plastic according to either gas sterilization method (ethylene oxide or formaldehyde) or chemical sterilization method (70% ethanol, 3% hydrogen peroxide, 3% formalin). * Do not dip the rotor and the tube adapters in the formalin (3%) solution more than 2 hours.

●Inspecting rotor

Check the rotor after every run as follows.

- The thread portion is worn. Contact an authorized sales or service representative.
- The tube cavity is corroded. Contact an authorized sales or service representative.
- The O-ring, the gasket, etc. are deteriorated. Replace it with the new one.
- The adapter is stained. Wipe it out with a soft cloth.

Check the rotor every 100 hours as follows.

- The rotor pin is bent. Contact an authorized sales or service representative.

Check the rotor once a month as follows..

- The inside of drive hole(crown hole) is stained. Wipe it out with a soft cloth dampened with water.

<p>⚠ CAUTION : Clean the inside of the drive hole (crown hole) of the rotor and the surface of the drive shaft (crown) of the centrifuge once a month. If the drive hole or the drive shaft is stained or any foreign matter is adhered, the rotor may be improperly installed and come off during operation.</p>
--

●Life of rotor

While using rotor repeatedly, it's strength decreases gradually due to fatigue and creep of material, by which the rotor life is determined. Sum up the number of operations and number of operating hours. And if either value reaches the figures (the primary life) shown in Table 4, decrease the maximum speed by 10%.When the rotor has reached the primary life, maintenance of the rotor is required by us (extra-cost option).If the operations or operating hours of rotor reach the figures in Table 4 after decreasing the maximum speed by 10%(Secondary life),don't use the rotor any more. If you use the RLM rotor at a speed lower than its maximum permissible speed, the life of the RLM rotor will be prolonged automatically by calculating from the strength of the rotor material.

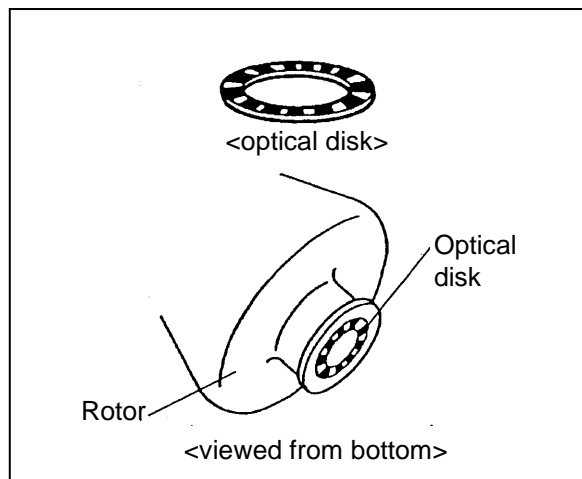
Table 4-1. Rotor life

1,000 operations	2,500 hr
------------------	----------

● Replacing the optical disk

(1) Preparation

- Prepare a new optical disk and knife.
Make sure that the number of stripes of the new optical disk is right as follows.
- Wash and then dry the rotor well.



Rotor's maximum speed and optical disk's number of stripes

Rotor's maximum speed (rpm)	Optical disk's number of black bands	Rotor's maximum speed (rpm)	Optical disk's number of black bands	Rotor's maximum speed (rpm)	Optical disk's number of black bands
100,000	9	50,000	18	30,000	29
90,000	10	48,000	19	28,000	32
80,000~83,000	11	45,000	20	27,000	33
70,000	13	42,000	21	25,000	35
65,000	14	40,000	22	23,000	39
60,000	15	38,000	24	21,000	40
55,000~56,000	16	35,000	25	19,000	45
54,000	17	32,000	28	17,000	50

(2) Hold the rotor upside down.

(3) Pry the edge of the optical disk with the knife and remove the disk. Be very careful not to damage the rotor.

(4) Clean the disk hole on the rotor by using alcohol.

(5) Remove the backing paper from the new optical disk.

Place the optical disk so that it snugly fits into the groove of the disk hole on the rotor. Make sure the disk does not move.

5.Using cesium chloride

The cesium chloride(CsCl) solution is frequently used as a density gradient medium, but if the CsCl solution with a high density is used, it may saturate during the rotation of the rotor depending on the rotation condition which may cause CsCl crystals to be educed. Educated crystals have a high density(approx.4g/mL) and apply an excessive load to the rotor which is very dangerous.

The crystallization will also greatly affect the density gradient of the CsCl solution and separation status of the sample. Therefore, always use a solution which will not crystallize the allowable speed.

Fig .5-1 shows the relationship between the maximum allowable density and the speed at which cesium chloride does not crystallize in the condition that standard tubes is filled with the cesium chloride solution. In this diagram, crystallization will occur above the curves.

Be sure to select the density of the cesium chloride solution and the rotor speed at which cesium chloride does not crystallize. The curve in this diagram vary in temperature etc. Before actual operation, centrifuge the cesium chloride solution with the same density to ensure that crystallization will not occur.

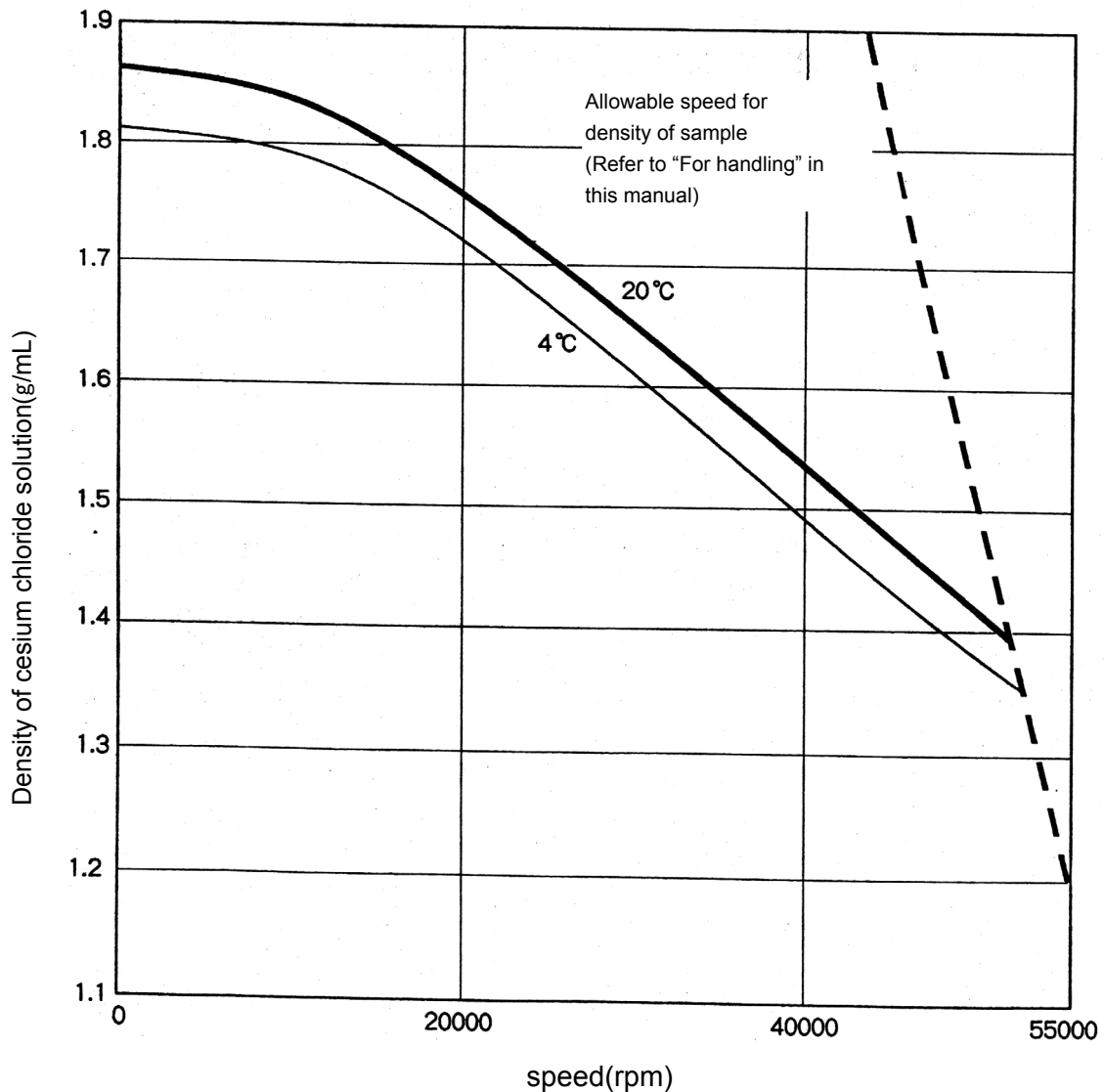


Fig.5-1. Relationship between density of cesium chloride and speed

6. Packing list

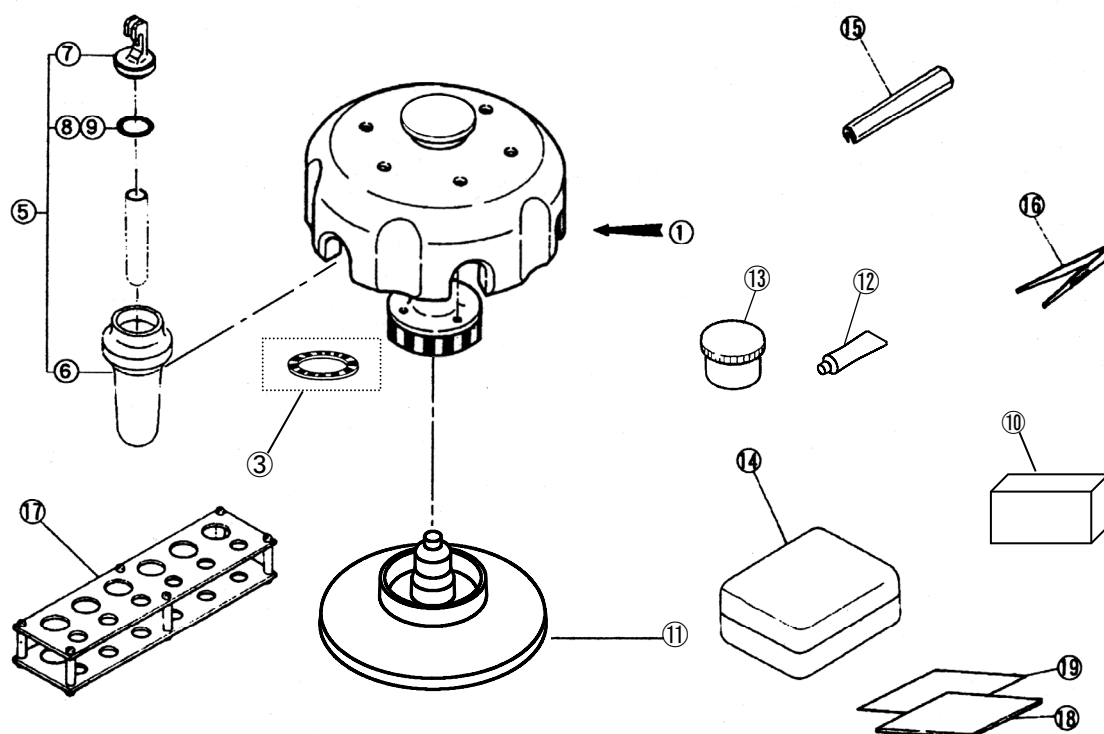
Check the parts and accessories of rotor when receiving the rotor.
Contact an authorized sales or service representative when the need arises.

No.	Name	Qty	Remark	Parts No. (Qty)	No.	Name	Qty	Parts No. (Qty)
①	Rotor body	1			⑪	Rotor stand	1	216715 (1)
②					⑫	Lubricant for screw	1	84810601 (1)
③	Optical disk *2	2	For spare	3464445	⑬	Silicone grease (vacuum grease)	1	483719 (1)
④					⑭	Tool box(C)	1	
⑤	Bucket	6			⑮	Cap spanner	1	S407836 (1)
⑥	Bucket body	6*1			⑯	Tweezers	1	452701 (1)
⑦	Cap	6*1			⑰	Bucket stand	1	208204B (1)
⑧	O-Ring	6*1		S401822A (12)	⑱	Rotor log book *3	1	999494 (1)
⑨	O-Ring	18	For spare		⑲	Instruction manual	1	999997 (1)
⑩	5PA tube	2	50pcs./set	332245A(50)	⑳			

*1: the quantities of the parts that are mounted to the rotor

*2: The "optical disk" is only provided with the rotor destined for Europe and U.S.A.

*3: The "rotor log book" is not included in RLM rotor.



7. Decontamination

 **WARNING:**

- If the centrifuge, rotor or an accessory is contaminated by samples that are toxic or radioactive, or blood samples that are pathogenic or infectious, be sure to decontaminate the item according to good laboratory procedures and methods.
- If there is a possibility that the rotor or an accessory is contaminated by samples that might impair human health (for example, samples that are toxic or radioactive, or blood samples that are pathogenic or infectious), it is your responsibility to sterilize or decontaminate the rotor or the accessory properly before requesting repairs from an authorized sales or service representative. Note that we cannot repair the centrifuge, rotor or the accessory unless sterilization or decontamination is completed.
- It is your responsibility to sterilize and/or decontaminate the rotor or parts properly before returning them to an authorized sales or service representative. In such cases, copy the attached decontamination sheet and fill out the copied sheet, then attach it to the item to be returned. We may ask you about the treatment for the rotor or parts if the decontamination is checked and judged as insufficient by us. It is your responsibility to bear the cost of sterilization or decontamination. Note that we cannot repair or inspect the rotor or the accessory unless sterilization or decontamination is completed.

8. Rotor Retirement

After many years of use, there will be inevitably some corrosion or stress corrosion. At some points, the combination of such damage and metal fatigue could make the rotor vulnerable to a failure. Although a rotor may appear to be in a good condition, you should follow the rotor retirement recommendation shown below.

Rotor	Material	Retire After Years
Angle rotor	Titanium alloy	12
Vertical rotor	Aluminum alloy	10
Swing rotor	Titanium alloy Aluminum alloy	10
Zonal rotor	Titanium alloy	10
Continuous flow rotor	Titanium alloy	10

MEMO

MEMO

MEMO

Eppendorf Himaс Technologies Co., Ltd.

1060, Takeda, Hitachinaka City
Ibaraki Pref., 312-8502 Japan

URL: <https://www.himac-science.com>

この取扱説明書は、遠心機本体取扱説明書と一緒にファイルに入れて大切に保存してください。

超遠心機用スイングロータ

P 5 5 S T 2

- ・ご使用前に必ずこの取扱説明書と「ロータ・チューブ・ボトル・キャップ取扱説明書」、超遠心機本体の取扱説明書をあわせてよくお読みになり、正しくご使用ください。お読みになった後は、大切に保存してください。

—目次—

1. ロータの仕様 1
2. チューブ・ボトルについて 2
3. ロータの使用法 3
4. ロータの手入れ 6
5. 塩化セシウムを使用する場合の注意 . . 7
6. 部品・付属品一覧 8
7. 汚染除去について 9
8. ロータのリタイアメント 9
9. ロータの廃棄について 9

Part No. { RLM アダプタ式ロータ
9122770M
光学アダプタ式ロータ
91227700

発行 2022.01
取説コード 99999718

このマニュアルの内容はすべて著作権により保護されています。このマニュアルの内容の一部または全部を、無断で転載することは禁じられています。

Copyright © 2022 Eppendorf Himac Technologies Co., Ltd. All rights reserved.

この取扱説明書に記載されている会社名および製品名は、一般に各社の商標または登録商標です。

〈⚠ マークについて〉

この取扱説明書では、製品を安全に正しくお使いいただき、お客様や他の人々への危害や財産の損害を未然に防ぐため、⚠ マークをつけて注意を促すようにしております。

表示の意味は次のようになっていますので、内容を理解の上、本文をお読みください。

⚠ 警告：この表示を無視して、誤った取り扱いをすると、人が死亡または重傷を負う可能性が想定される事項を示しています。

⚠ 注意：この表示を無視して、誤った取り扱いをすると、人が傷害を負ったり、物的損害の発生が想定される事項を示しています。

⚠ 安全にご使用いただくために

遠心機のロータは高速回転しますので、取り扱いの誤りにより装置に多大な損害を与える場合があります。安全にご使用いただくために、ご使用前に遠心機本体およびロータの取扱説明書をよくお読みになり、次のことに十分注意を払ってください。

⚠ 警告

- 引火性、爆発性のある試料は使用しないでください。本ロータおよび遠心機は防爆構造になっていません。
- 有害物質、放射性物質、病原性物質あるいは感染性が否定できない血液等の試料を分離する場合は、使用者の責任において必要な安全対策を講じた上で行ってください。一般に遠心機およびロータは、遠心中の液漏れや万一の事故などによる試料の飛散を防ぐ構造になっていませんのでご注意ください。
- ロータの最高回転速度（ロータ表面に刻印してあります）を超えての使用はしないでください。ロータの破壊による遠心機の損傷を引き起こす恐れがあります。
- ロータに付属している「耐薬品性一覧表」を参照してロータ（バケットを含む）の材質に対して使用不可となっている試料は使用しないでください。ロータ（バケットを含む）の腐食の原因となる場合があります。
- RLMアダプタ、光学アダプタをロータから取り外したり、他のロータのアダプタと交換しないでください。アダプタはロータのオーバースピードを監視する重要な部品で、ロータに適合しないアダプタを取りつけますと、ロータの破壊による遠心機の損傷を引き起こす恐れがあります。
- ロータ（バケットを含む）は100°C以上に温度を上げないでください。ロータ（バケットを含む）の強度が低下し、大変危険です。
- ロータ（バケットを含む）のオートクレーブ、煮沸滅菌は、絶対に行わないでください。ロータ（バケットを含む）の強度が低下し、大変危険です。
- スイングロータでは、バケットは試料の有無に関わらず、同一種類のバケットを全数セットしてください。バケットを全数かけないで運転すると振動の原因となるばかりでなく、ロータの変形やバケットの離脱につながり大変危険です。
- 装置、ロータ、および付属品が有害物質、放射性物質、病原性物質あるいは感染性が否定できない血液等の試料で汚染された場合には、必ず使用者の定める適切な汚染除去の手段に従って処理してください。
- お買い求めいただいた販売店もしくは当社のサービス担当に修理を依頼される場合、装置、ロータ、または付属品等が有害物質、放射性物質、病原性物質あるいは感染性が否定できない血液等の試料により、人の健康に被害を生ずる汚染された状態またはそのおそれがあるときは、必ず事前に、装置使用者の責任において適切な消毒・汚染除去を行ってください。
- 装置、ロータ、および部品等を返送される場合は、必ず事前に、装置使用者の責任において適切な消毒・汚染除去を行ってください。

⚠ 注意

- ロータに付属している「耐薬品性一覧表」を参照してチューブ、チューブアダプタ等の材質に対して使用不可となっている試料は使用しないでください。これらの材料劣化を引き起こします。
- 許容回転速度は、試料の密度、塩化セシウムなどの塩類の使用、またはチューブ・チューブアダプタの組み合わせによって制限されることがありますので、この取扱説明書を参照してください。
- チューブと試料は、チューブアダプタを含めてロータの許容インバランス量以内にバランスをとってください。許容量を超えたインバランス量で運転すると、遠心機およびロータを損傷する恐れがあります。
- 1本、あるいは、回転軸に対して非対称に、チューブをセットしないでください。過大なインバランス運転となり、遠心機およびロータを損傷する恐れがあります。
- ロータの回転軸挿入穴（クラウン穴）と遠心機の回転軸（クラウン）の表面を1回/月の割合で清掃して下さい。回転軸挿入穴や回転軸に汚れや付着物があると、ロータの回転軸への取付けが不完全となり、回転中にロータの離脱を引き起こす恐れがあります。
- チューブは、規定された実容量以下の液量で使用してください。
- 寿命に達したチューブは使用しないでください。回転中にチューブが破損し、ロータや遠心機の損傷を引き起こす恐れがあります。チューブの寿命は、使用する試料の性質、使用するロータの回転速度、温度など使用する条件により左右されます。使用前に、チューブが変形していないか傷やひびが入っていないか等をよく確認し、異常が認められる場合は、使用しないでください。
- ロータは使用ごとに手入れと点検を行ってください。異常な点がありましたら、ロータの使用を中止し、お買い求めいただいた販売店もしくは当社のサービス担当までご連絡ください。

1. ロータの仕様

1.1 構成

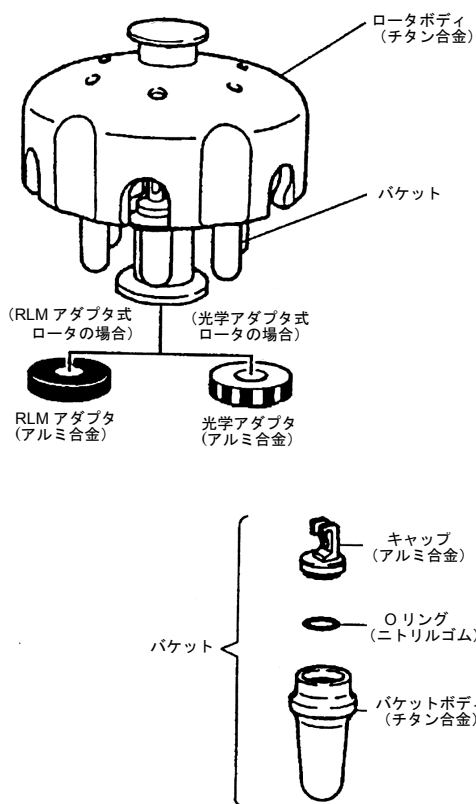


図 1-1 P55ST2 の構成図

1.2 仕様

- ・ 最高回転速度 55,000 rpm
- ・ 最大遠心加速度 366,000 × g
- ・ 最高回転速度における
 サンプルの許容密度 1.2g/mL
- ・ Kファクタ (最高回転速度時) . . . 50
- ・ ロータ容量 (呼称容量) 5mL × 6本 = 30mL
- ・ ロータ材質 チタン合金
- ・ チューブ寸法 φ1.3 × 5.2 cm
- ・ ロータ質量 5.5 kg
- ・ 最大直径 16.5(21.8)cm
- ・ 最大高さ 18.2cm

* ()内は、バケットがスイングしたときの最大直径です。

⚠ 注意: RLMアダプタ式ロータは、CP-NXシリーズ、CP-WXシリーズ、CP-MXシリーズ、およびCP-αシリーズ遠心機以外での使用を禁止します。光学アダプタ式ロータは、55P、40P形遠心機(旧形)での使用を禁止します。

1.3 断面図

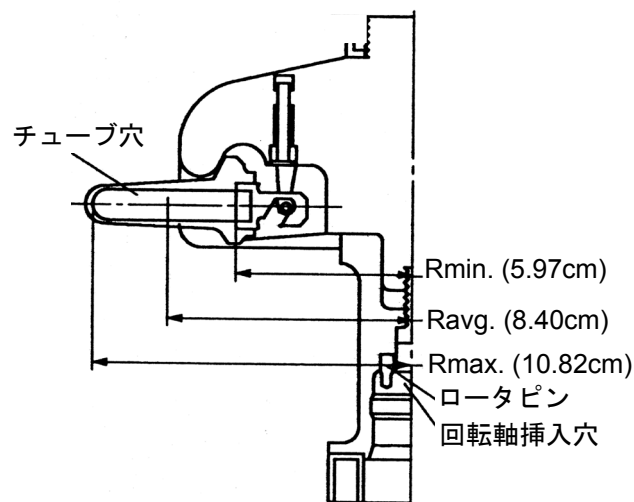


図 1-2 P55ST2 の断面図

⚠ 注意: ロータの回転軸挿入穴(クラウン穴)と遠心機の回転軸(クラウン)の表面を1回/月の割合で清掃して下さい。回転軸挿入穴や回転軸に汚れや付着物があると、ロータの回転軸への取付けが不完全となり、回転中にロータの離脱を引き起こす恐れがあります。

1.4 分離特性

表 1-1 P55ST2 分離特性表

回転速度 (rpm)	遠心加速度 (xg)			Kファクタ
	Rmax.	Ravg.	Rmin.	
10,000	12,100	9,390	6,670	1,506
20,000	48,400	37,600	26,700	377
30,000	109,000	84,500	60,100	167
40,000	194,000	150,000	107,000	94
50,000	302,000	235,000	167,000	60
55,000	366,000	284,000	202,000	50

※Kファクタについては、遠心機本体に付属している「ロータ・チューブ・ボトル・キャップ取扱説明書(Part No. 999966)」を参照ください。

回転速度と遠心加速度(RCF)の関係

$$RCF = 1.118 \times 10^{-5} \times R \times N^2 (xg)$$

R: 回転半径 (cm)

N: 回転速度 (rpm)

2. チューブ・ボトルについて

2.1 チューブ・ボトル一覧

表 2-1 チューブ・ボトル一覧

呼称 容量 (mL)	チューブ・ボトル				チューブアダプタ		キャップ		最高 回転速度 (rpm)	最大遠心 加速度 (xg)
	Part No.	品名	寸法 (φ X L cm)	実容量 (mL/本)	Part No.	品名	Part No.	品名		
5	332245A	5PAチューブ	1.3 X 5.2	4.9	---	---	---	---	55,000	366,000
	S303273A	5PETチューブ	1.3 X 5.2	5.3	---	---	---	---	55,000	366,000
3	S301599A	3PCチューブ	1.3 X 5.1	3.4	---	---	---	---	55,000	366,000
0.9	S304296A	0.9PCアツチューブ	0.8 X 5.0	0.7	336697A	2S5アダプタ	---	---	40,000	189,000

* チューブアダプタの材質：ポリアセタール

⚠注意：●2S5アダプタを使用する場合、遠心機本体の設定温度を10℃以下で使用してください。
10℃を超えた温度で回転するとチューブが変形し、2S5アダプタからチューブが抜けなくなってしまいます。

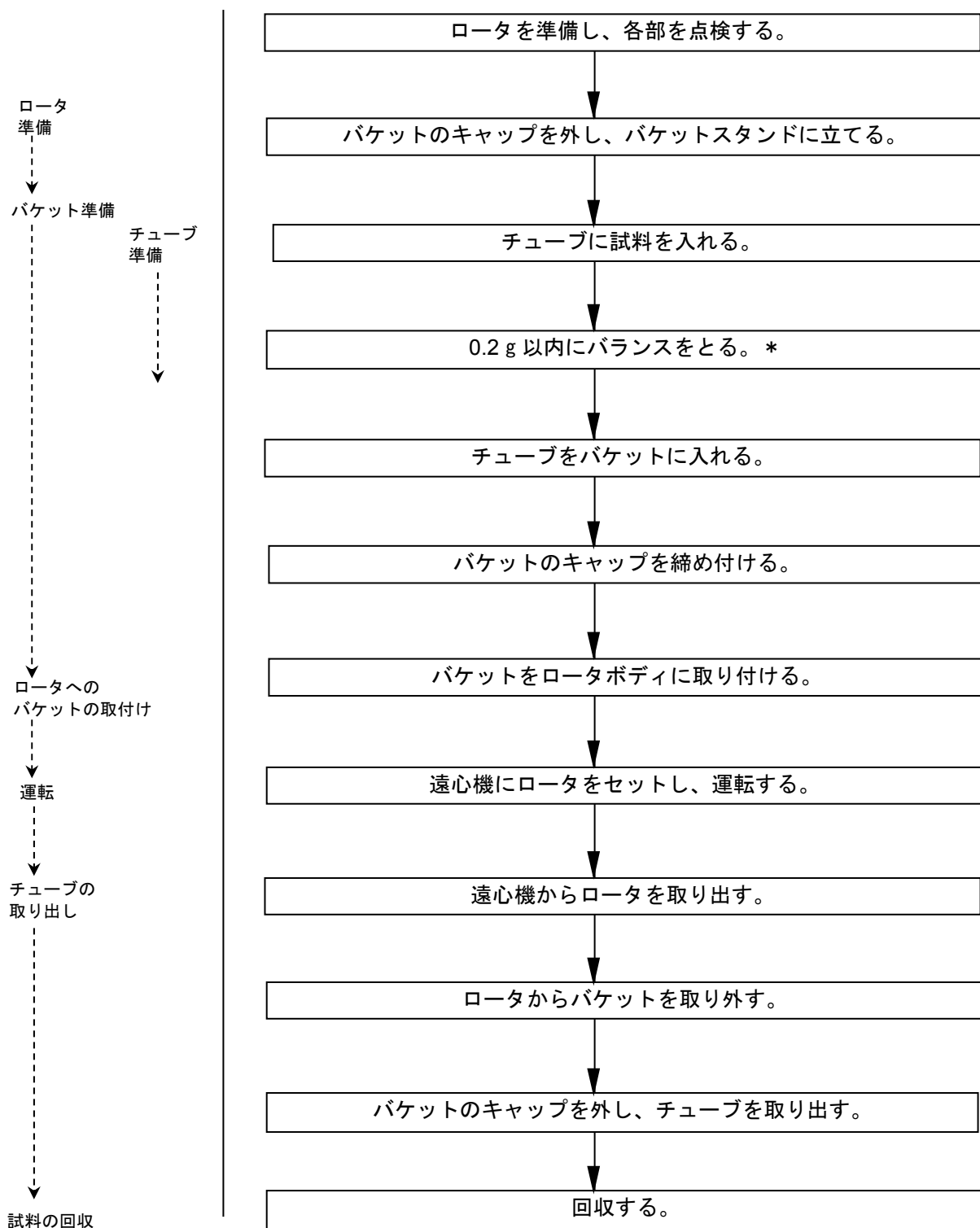
●2S5アダプタを使用する場合、0.9PCアツチューブの使用回数は1回です。

●チューブの強度や耐薬品性は、温度や回転速度などの影響で変わります。実試料で評価する前に、実際の遠心条件で予備試験を行い、問題が無いことを確認してください。

チューブ・ボトルの洗浄や滅菌および寿命につきましては、「ロータ・ボトル・チューブ・キャップ取扱説明書(Part No.999966)」を参照してください。

3. ロータの使用法

取扱いは、チューブ・ボトルの種類によって異なります。この取扱説明書では、取扱い手順を示します。くわしい取扱いは、遠心機本体に付属している「ロータ・チューブ・ボトル・キャップ取扱説明書 (Part No.999966)」をご覧ください。



(*) CP-NX シリーズ、CP-WX シリーズ、CP-MX シリーズ、および CP- α/β シリーズ遠心機で使用する場合は、目視で十分ですが、極端なインバランス運転はおさげください。(液面の高さは 5mm 以内) ただし、チューブの種類によっては、注入する液量がすくないと回転速度の制限を受けたり、つぶれが発生する場合がありますのでご注意ください。

＝取扱時の注意事項＝

●許容回転速度について

①平均密度が 1.2g/mL 以上の試料を使用する場合、回転速度が制限されます。次式の許容回転速度以下でお使いください。

$$\text{許容回転速度(rpm)} = 55,000(\text{rpm}) \times \sqrt{\frac{1.2 (\text{g/ mL})}{\text{試料の平均密度 (g/ mL)}}$$

②塩化セシウムなどの塩類を使用する場合は、密度により回転速度が制限されます。塩化セシウムを使用する場合の詳細はこの取扱説明書の「5. 塩化セシウムを使用する場合の注意」をご覧ください。

③チューブ、チューブアダプタなどの組合せにより、回転速度が制限されます。この取扱説明書の「2.チューブ・ボトルについて」をご覧ください。

④第一次寿命に達したロータは、回転速度が制限されます。詳しくは、この取扱説明書の「4.ロータの手入れ●ロータの寿命」をご覧ください。

●チューブ・ボトルについて

使用前に、チューブ・チューブアダプタの組合せを確認してください。試料の液量は、チューブの「上」の端から3mm以内としてください。

チューブ・ボトルについての詳細は、「ロータ・チューブ・ボトル・キャップ取扱説明書(Part No.999966)」をご覧ください。

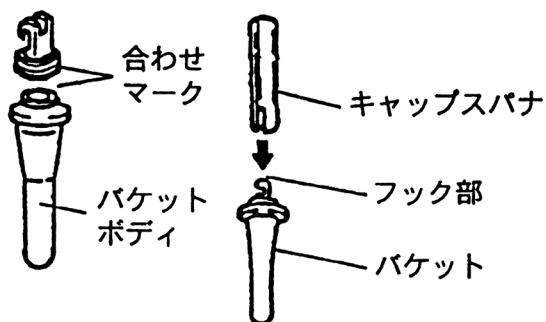
●ロータの使用について

- ⚠ 警告：●ロータの最高回転速度(ロータに刻印してあります。)を超えての使用はしないでください。ロータの破壊による遠心機の損傷を引き起こす恐れがあります。
- ロータに付属している「耐薬品性一覧表」を参照して、ロータ（バケットを含む）の材質に対して使用不可となっている試料は使用しないでください。ロータ（バケットを含む）の腐食の原因となる場合があります。
- ⚠ 注意：●1本、あるいは、回転軸に対して非対称にチューブをセットしないでください。過大なインバランス運転となり、遠心機およびロータを損傷する恐れがあります。
- チューブと試料は、チューブアダプタを含めてロータの許容インバランス量以内にバランスをとってください。許容量を越えたインバランス量で運転すると、遠心機およびロータを損傷する場合があります。
- ロータ（バケットを含む）に試料が付着した場合は、速やかに柔らかい布等でふき取ってください。ロータ（バケットを含む）の腐食の原因となる場合があります。

バランスをとったチューブを対照の位置にセットしてください。

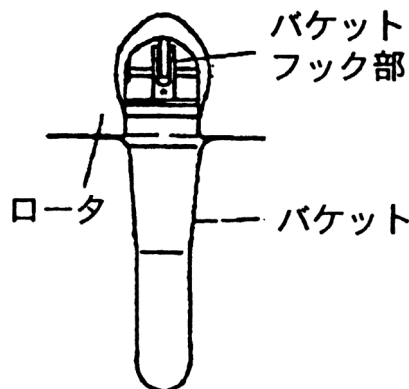
<バケットのキャップの締め付け>

- ⚠ 注意：キャップの締め付けが不足しますと、運転時にバケットがスイング不良を起し、インバランス運転となって事故となる場合がありますので注意してください。



キャップは、バケットと同じ番号を組み合わせてねじ込み後、付属のキャップスパナの溝部を、バケットのフック部の背の方から根元まで挿入して、キャップの下端がバケットに突当るまで締め付け、キャップとバケットの合わせマークを合致させてください。

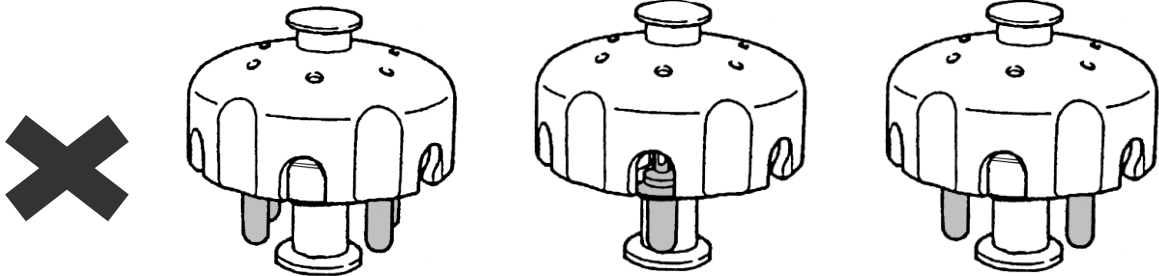
<バケットのロータへの取り付け>



バケットのフックをロータのピン部にかけます。ロータとバケットの番号を合わせてください。

⚠ 警告：バケツは試料の有無に関わらず、同一種類のバケツを全数（6個）セットしてください。バケツを全数かけないで運転すると振動の原因となるばかりでなく、ロータの変形やバケツの離脱につながり大変危険です。また他製品のバケツは絶対に使用しないでください。

<誤ったセット例>



バケツのキャップの締め付け、ロータへの取り付けは、確実に行ってください。

- ⚠ 警告：●遠心機にロータをセットする前に、バケツがロータへ確実にとりつけられていることを確認してください。バケツがロータへ確実に取り付けられていしないと、ロータの変形やバケツの離脱につながり大変危険です。
- ⚠ 注意：●ロータは使用ごとに手入れと点検を行ってください。異常な点がありましたら、ロータの使用を中止し、お買い求めいただいた販売店もしくは当社のサービス担当までご連絡ください。

● 試料について

- ⚠ 警告：●引火性、爆発性のある試料は使用しないでください。本ロータおよび遠心機は防爆構造になっていません。
- 有害物質、放射性物質、病原性物質あるいは感染性が否定できない血液等の試料を使用する時には、隔離された場所で使用するなどして、十分な安全管理を行ってください。一般に遠心機およびロータは、遠心中の液漏れや万一の事故などによる試料の飛散を防ぐ構造になっていません。

● 「ロータ運転日誌」の記入について

- ⚠ 注意：光学アダプタ式ロータをご使用の場合は、ロータ使用ごとに、必ず「ロータ運転日誌」に記入してください。記入しなると、ロータの寿命管理ができなくなります。（RLMアダプタ式ロータの場合は記入不要です。）

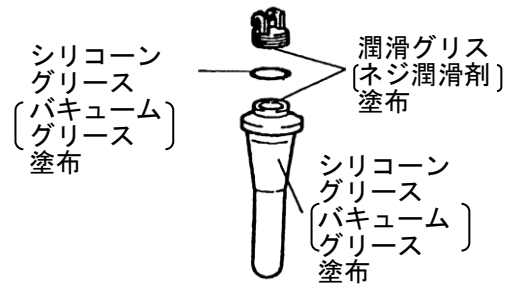
● RLMアダプタ、光学アダプタについて

- ⚠ 警告：RLMアダプタ、光学アダプタをロータから取り外したり、他のロータのアダプタと交換しないでください。
- アダプタはロータのオーバースピードを監視する重要な部品で、ロータに適合しないアダプタを取りつけますと、ロータの破壊による遠心機の損傷を引き起こす恐れがあります。
- ⚠ 注意：●RLMアダプタは、磁気に近づけたり、傷をつけないでください。アダプタに記録されているメモリが消滅し、ロータを使用できなくなります。また、アダプタに傷がつくのを防ぐため、RLMアダプタ式ロータは、ロータに付属のロータスタンド（アダプタ保護用ロータスタンド）を使用し、保管してください。アダプタに傷がついてしまった場合は、ロータの使用を中止し、当社のサービス担当にご連絡ください。
- 光学アダプタに傷をつけないでください。ロータを使用できなくなります。また、アダプタに傷がつくのを防ぐため、ロータに付属のロータスタンド（アダプタ保護用ロータスタンド）を使用し、保管してください。
- アダプタに傷がついてしまった場合は、ロータの使用を中止し、当社のサービス担当にご連絡ください。
- RLMアダプタ、光学アダプタに試料が付着した場合は、速やかに柔らかい布等でふき取ってください。RLMアダプタ、光学アダプタが腐食するとロータを使用できなくなります。

4. ロータの手入れ

●ロータの手入れ

- ⚠ 警告：ロータ（バケットを含む）は100℃以上に温度を上げないでください。ロータ（バケットを含む）の強度が低下し、大変危険です。
- ⚠ 注意：洗剤をお使いになる場合はpH5～9の中性洗剤をご使用ください。それ以外の洗剤を使用しますと腐食の原因となります。



使用後は、バケットは、水道水またはpH5～9の中性洗剤の希釈液で洗い、蒸留水ですすぎます。キャップを取ったまま、空气中で乾燥します。乾燥後、バケットの表面にシリコングリース（バキュームグリース）、ネジ部には潤滑グリス（ネジ潤滑剤）、リング、ガスケットにはシリコングリース（バキュームグリース）を薄く塗布し、乾燥した雰囲気中で保管してください。

バケットに付着物がある場合は、バケットを1～2時間、40～50℃の温水に浸した後、柔らかいブラシなどで洗ってください。いずれの場合でもpH5～9の中性洗剤をご使用ください。付着物が除去できない場合には、当社のサービス担当までご相談ください。

ロータボディは、使用後には汚れを拭き取り、シリコングリース（バキュームグリース）を薄く塗布し、乾燥した雰囲気中で保管してください。回転軸挿入穴内にもシリコングリース（バキュームグリース）を塗布し、その後柔らかい布などで拭き取ってください。

●ロータの滅菌について

- ⚠ 警告：ロータ（バケットを含む）のオートクレーブ、煮沸滅菌は、絶対に行わないでください。ロータ（バケットを含む）の強度が低下し、大変危険です。
- ⚠ 注意：プラスチック製のチューブアダプタのオートクレーブ、煮沸滅菌は絶対に行わないでください。チューブアダプタが変形し、使用できなくなる場合があります。

ロータの滅菌は、ガス滅菌（エチレンオキシド、ホルムアルデヒド）、薬液滅菌（70% エタノール、3% 過酸化水素、3% ホルマリン）、紫外線滅菌のいずれかの方法で行ってください。

チューブアダプタの滅菌はガス滅菌（エチレンオキシド、ホルムアルデヒド）、薬液滅菌（70% エタノール、3% 過酸化水素、3% ホルマリン*）のいずれかの方法で行ってください。

* 3% ホルマリンでの浸せき滅菌は2時間以内としてください。

●ロータの点検項目

使用ごとに点検する項目

- バケットネジ部の摩耗・・・当社のサービス担当へご相談ください。
- バケットのチューブ穴の腐食・・・当社のサービス担当へご相談ください。
- Oリング、ガスケット類の劣化・摩耗・・・新しいものと交換してください。
- アダプタの汚れ・・・柔らかい布などで拭き取ってください。

100時間使用ごとに点検する項目

- ロータピン曲がり・・・当社のサービス担当へご相談ください。

1回/月に点検する項目

- 回転軸挿入穴の汚れ・・・水で湿らせた柔らかい布などで拭き取ってください。

- ⚠ 注意：ロータの回転軸挿入穴（クラウン穴）と遠心機の回転軸（クラウン）の表面を1回/月の割合で清掃してください。
- 回転軸挿入穴や回転軸に汚れや付着物があると、ロータの回転軸への取り付けが不完全となり、回転中にロータの離脱を引き起こす恐れがあります。

●ロータの寿命

ロータを繰り返し使用しますと、材料の疲労やクリープ（変形）によってロータの強度は少しずつ低下しますので、ロータの寿命が規定されています。

運転回数1,000回、または、積算使用時間2,500時間のいずれかに到達したら、ロータの第1次寿命です。第1次寿命に達したロータは、工場での点検（有償）が必要です。その後、最高回転速度を10%減じて運転回数1,000回、または、積算使用時間2,500時間のいずれかに到達するまでが、第2次寿命となります。

ただし、RLMアダプタ式ロータの場合、ロータの最高回転速度より低い回転速度で使用すると、ロータの材料強度特性に基づいた補正がなされ、使用回数、積算使用時間とともに寿命が自動的に延長されます。

5. 塩化セシウムを使用する場合の注意

密度勾配液として塩化セシウム(CsCl)溶液がよく用いられますが、高密度の CsCl 溶液を使用すると、ロータ回転条件により回転中に CsCl 溶液が飽和状態となり、CsCl の結晶が析出する場合があります。析出した結晶は密度が大きく(約4g/mL)、ロータに過大な負荷がかかり非常に危険です。また、結晶化により、CsCl溶液の密度勾配やサンプルの分離状態にも大きな影響を与えます。このため、結晶化しない密度と回転速度で必ずご使用ください。

図5-1は、標準チューブにCsCl溶液を満量にした状態で、結晶化しない最大許容密度と回転速度の関係を表しています。この図においてカーブより上では結晶化がおこりますので、必ずカーブ以下で密度と回転速度を選択してください。また、この図のカーブは温度などによって変化しますので、重要な試料を分離する場合はあらかじめ同一密度のCsCl 溶液を遠心して、結晶化しないことの確認をおすすめします。

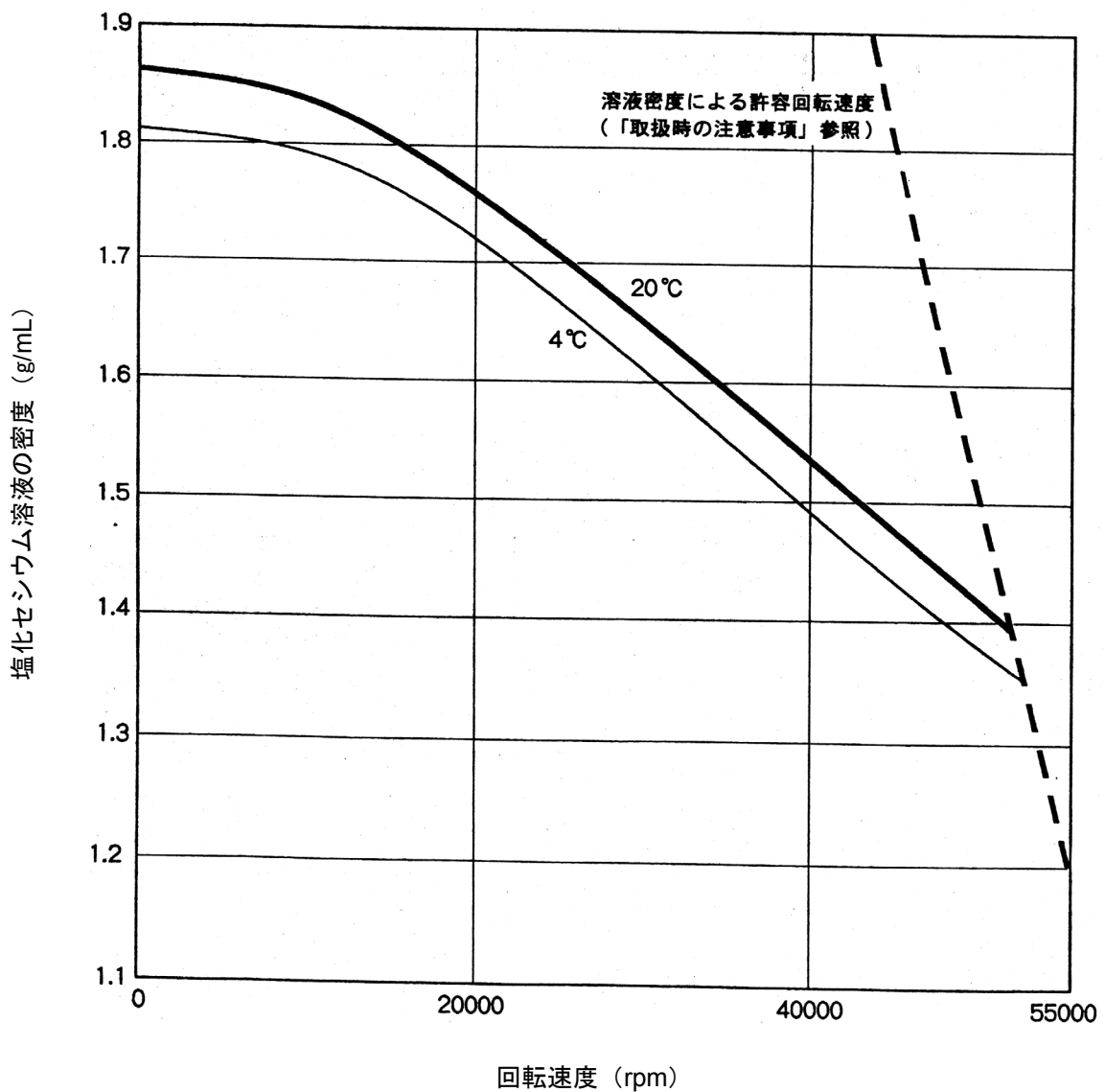


図 5-1 塩化セシウム溶液と密度と回転速度の関係

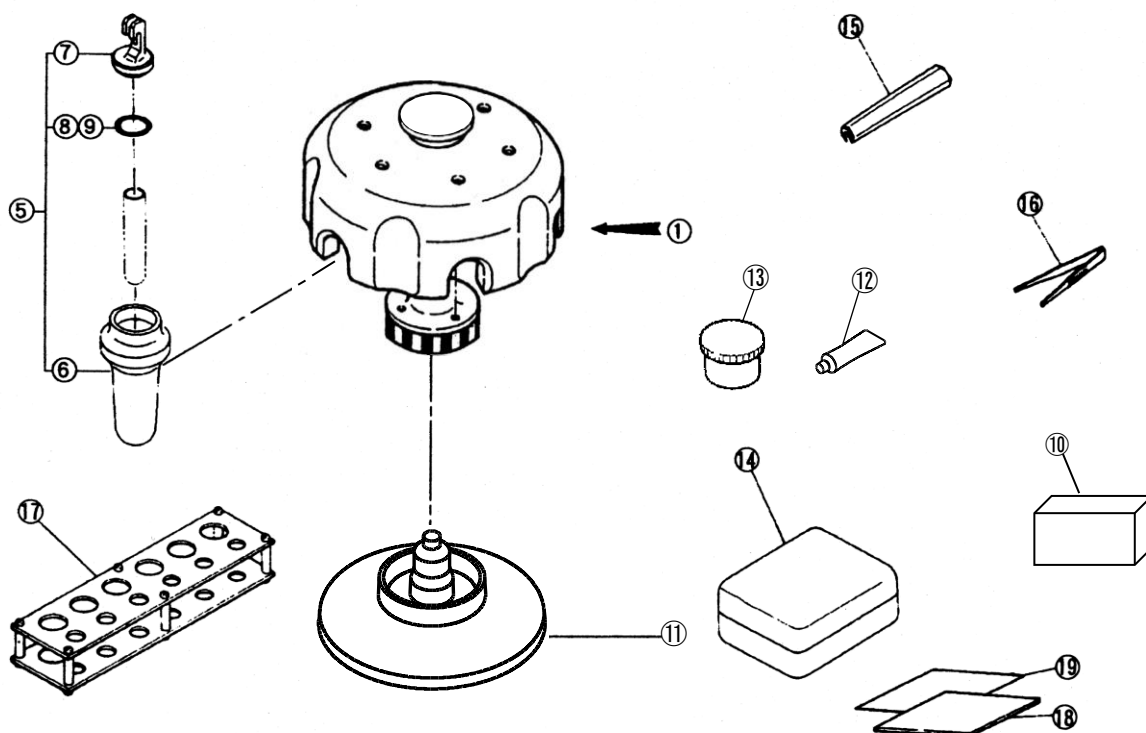
6. 部品・付属品一覧

ロータ受領時に、ロータの部品、付属品のチェックをおこなってください。万一、欠品または不良品がございましたら、お買い求めになられた販売店、または、当社のサービス担当までご連絡ください。

番号	部品名	個数	備考	補給用部品 No. (員数)	番号	部品名	個数	備考	補給用部品 No. (員数)
①	ロータボディ	1			⑪	ロータスタンド	1		216715(1)
②					⑫	潤滑グリス (ネジ潤滑剤)	1		84810601(1)
③					⑬	シリコングリス (バキュームグリス)	1		483719(1)
④					⑭	コウグバコ(C)	1		
⑤	バケット	6			⑮	キャップスパナ	1		S407836(1)
⑥	バケットボディ	6※ ¹			⑯	ピンセット	1		452701(1)
⑦	キャップ	6※ ¹			⑰	バケットスタンド	1		208204B(1)
⑧	Oリング	6※ ¹		S401822A(12)	⑱	ロータ運転日誌	1		999494(1)
⑨	Oリング	18	予備		⑲	ロータ取扱説明書	1		999997(1)
⑩	5PA チューブ	2	50本 箱入り	332245A(50本)	⑳				

※1：ロータに組み込まれている個数

※2：RLMアダプタ式ロータに⑱ロータ運転日誌は、付属していません。



7. 汚染除去について

⚠ 警告：

- 装置、ロータ、および付属品が有害物質、放射性物質、病原性物質あるいは感染性が否定できない血液等の試料で汚染された場合には必ず使用者の定める適切な汚染除去の手順に従って処理してください。
- お買い求めいただいた販売店もしくは当社のサービス担当に修理を依頼される場合、装置、ロータ、または付属品等が有害物質、放射性物質、病原性物質あるいは感染性が否定できない血液等の試料により、人の健康に被害を生ずる汚染された状態またはそのおそれがあるときは、必ず事前に、装置使用者の責任において適切な消毒・汚染除去を行ってください。
この消毒・汚染除去が完了するまで、当社は装置の修理ができません。
- 装置、ロータ、および部品等を返送される場合は、必ず事前に、装置使用者の責任において適切な消毒・汚染除去を行ってください。尚、ロータに付属している汚染除去書をコピーしご記入の上、修理・返却品等に添付してください。
当社施設で遠心機、ロータ、または付属品等を受け取り、当社の見解として有害物質、放射性物質、病原性物質あるいは感染性が否定できない血液等の試料による汚染が除去されていないと判断した場合、装置の処理について指示をいただくためにお客様にご連絡させていただきます。
装置、ロータ、および部品等の消毒・汚染除去等の処理にかかる費用は、お客様にご負担いただきます。この消毒、汚染除去が完了するまで、当社は修理や調査等ができません。
- ご相談、ご質問は、裏表紙の遠心機お客様相談センターにお問い合わせください。

8. ロータのリタイアメント

ロータを長年使用し続けると、経年劣化や腐食等が徐々に進行し、ロータの外観上に変化が見られなくてもロータの強度が低下している可能性があります。このようなロータを使い続けることにより破壊事故等を起こす恐れがありますので、以下に示すリタイアメント年数を過ぎたロータは廃棄されるようお願いいたします。

ロータ種類	材質	リタイアメント年数
アングルロータ	チタン合金	12年
パーティカルロータ	アルミ合金	10年
スイングロータ	チタン合金 アルミ合金	10年
ゾーナルロータ	チタン合金	10年
連続ロータ	チタン合金	10年

9. ロータの廃棄について

- 廃棄物は、お使いになったお客様が自らの責任において適正に処理することが「廃棄物の処理及び清掃に関する法律」（廃掃法）で定められております。ロータ（バケット、チューブ、ボトル、アダプタなども同様です）を廃棄するときは、産業廃棄物処理の許可を持った廃棄物処理業者に廃棄処理を委託してください。なお、ロータ（バケット、チューブ、ボトル、アダプタなども同様です）が有害物質、放射性物質、病原性物質あるいは感染性が否定できない血液等の試料などで、人の健康に被害を生ずるような汚染が生じていたり、またはその恐れがあるときは、廃棄物処理業者に汚染物質を使用された旨ご通知願います。
- ロータの廃棄でお困りの場合は、裏表紙の遠心機お客様相談センターにお問い合わせください。

エッペンドルフ・ハイマック・テクノロジーズ株式会社

〒312-8502 茨城県ひたちなか市武田1060番地

遠心機お客様相談センター **フリーダイヤル** (0120) 02 - 4125 (無料)
(土・日・祝日・弊社特別休業日を除く 9:00~12:00 13:00~17:00)

(URL <https://www.himac-science.jp>)