

Technical Data Sheet
 Eppendorf Cell Imaging Plate, 96-Well
 English (EN)

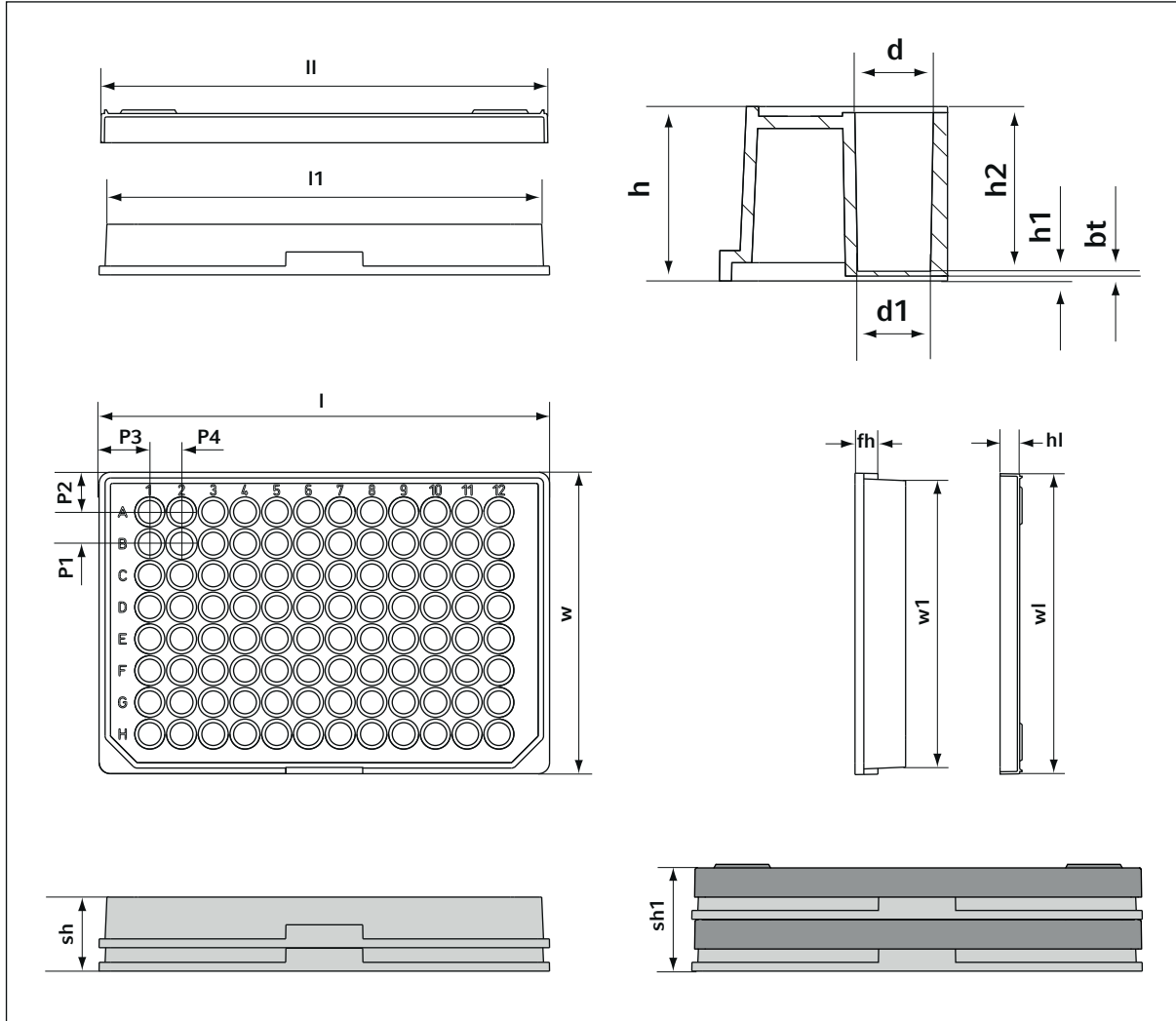
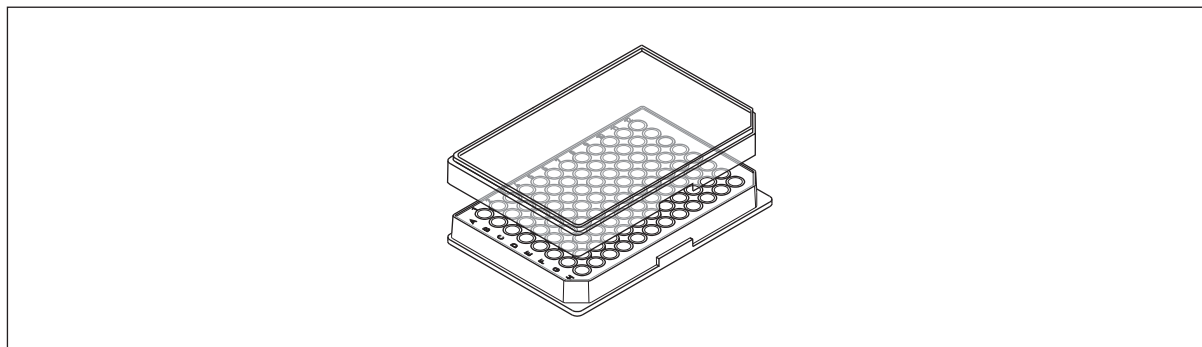


Plate dimensions [mm]							
Length		Width		Height			
l	l1	w	w1	h	h1	fh	
127.8	123.3	85.5	81.2	14.4	0,4	6.5	
Well dimensions [mm]				Positions of well center [mm]			
Diameter		Thickness	Depth	P1	P2	P3	P4
d	d1	bt	h2	9.0	11.2	14.4	9.0
6.5	6.0	Glass: 0.17 Foil: 0.025	14.0				
Stack height [mm]				Lid dimensions [mm]			
without lid (sh)		with lid (sh1)		Height (hl)	Width (wl)	Length (ll)	
28.4		32.4		9.4	85.2	127.5	

Technical Data Sheet
Eppendorf Cell Imaging Plate, 96-Well
English (EN)



Description	0030 741.013: Eppendorf Cell Imaging Plate, 96-Well, film bottom	0030 741.030: Eppendorf Cell Imaging Plate, 96-Well, glass bottom
Dimensions	Plate with lid: 127.8 mm x 85.5 mm x 15.9 mm (l x w x h)	
Weight	with Glass: 68.3 g	with Film: 65.3 g
Working volume	Working volume/well: 0.1 mL/well to 0.2 mL/well	
Total volume	0.428 mL	
Growth area	0.3 cm ² /well	
Refraction index	Glass bottom: 1.52	Film bottom: 1.34
Abbe coefficient	Glass bottom: 55	Film bottom: 70
Material	Glass bottom: borosilicate, hydrolytic class 1	Film bottom: fluorocarbon
Color	Black/clear	
Operating temperature	-20 °C to +50 °C	
Centrifugability*	Can be centrifuged up to 300 x g.	
Autoclavable	—	
Shelf life	5 years	
Packing unit	20 pieces/unit, 1 piece/bag	
Lot-specific certificates	Sterility: Sal 10 ⁻⁶ (according to ISO 11137-2:2007) Pyrogens: <0.001 EU/mL (according to Ph. Eur. 2.6.14) RNase: <10 ⁻⁹ Kunitz units DNase: <10 ⁻⁶ Kunitz units DNA: <2 pg	
Certificates of quality	Quality Assurance of surface properties. Products are non-cytotoxic according to DIN EN ISO 10993-5. Products are produced in a class 8 clean room (class 100,000) environment according to ISO 14644-1. Products conform to ANSI/SLAS 1-2004 to ANSI/SLAS 4-2004. Material suppliers of Eppendorf do not use or intentionally incorporate slip agents, biocides, plasticizers, bisphenol A or latex in the materials Eppendorf uses for the production of Eppendorf Cell Imaging Consumables.	
Eppendorf Quality Management	ISO 9001/13485/14001	

*The centrifugation stability of each plate type generally depends on the centrifuge and its accessories, the ambient conditions and the liquid used.

Your local distributor: www.eppendorf.com/contact
Eppendorf AG · 22331 Hamburg · Germany
eppendorf@eppendorf.com · www.eppendorf.com