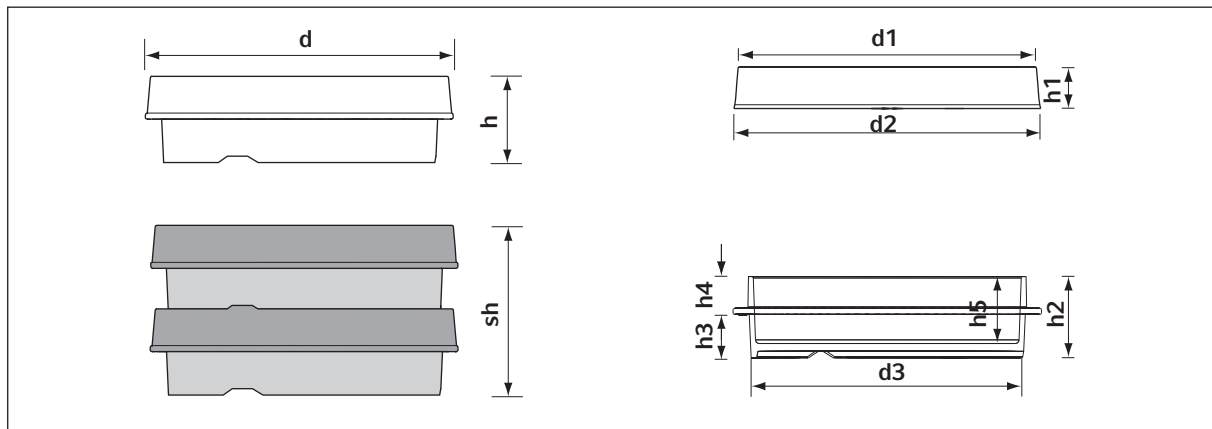


Technical Data Sheet
Eppendorf Cell Culture Dish 60 mm
English (EN)



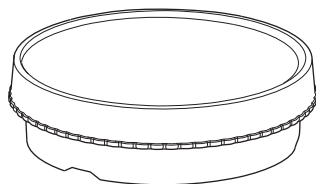
Dimensions dish and lid [mm]

Diameter dish with lid (d)	Inner diameter lid (d1)	Outer diameter lid (d2)	Inner diameter dish (d3)
59.7	57.4	58.8	52.8
Lid height (h1)	Dish height (h2)	Height dish with lid (h)	
8.2	14.0	15.7	
Dish height below handling ring (h3)	Dish height above handling ring (h4)	Inner height dish (h5)	
6.3	7.7	12.4	

Stack height [mm]

with lid (sh)	
30.5	

Technical Data Sheet
Eppendorf Cell Culture Dish 60 mm
English (EN)



Description	Eppendorf Cell Culture Dish, 60 mm 0030 701.119: with tissue culture treated surface 0030 701.011: with non-treated surface	
Dimensions	Dish with lid: 59.7 x 14.0 mm (d x h)	
Weight	Dish 4.3 g, lid 3.3 g	
Filling volume	3.0 to 5.0 mL	
Growth area	21.9 cm ²	
Material	Polystyrol, meets USP Class VI specifications	
Color	Transparent	
Operating temperature	-86 °C to +60 °C	
Centrifugability	—	
Autoclavable	—	
Shelf life	5 years	
Packing unit	10 dishes/bag	300 dishes/case
Lot-specific certificates	Sterility: Sal 10 ⁻⁶ (according to ISO 11137-2:2007) Pyrogens: <0.001 EU/mL (according to Ph. Eur. 2.6.14) RNase: <10 ⁻⁹ Kunitz units DNase: <10 ⁻⁶ Kunitz units Human DNA: <2 pg Bacterial DNA: <50 fg Tissue culture surfaces tested by cell growth.	
Certificates of quality	Quality Assurance of surface properties. Products are non-cytotoxic according to DIN EN ISO 10993-5. Products are produced in a class 7 clean room environment according to ISO 14644-1 and EG-GMP Class C. Material suppliers of Eppendorf do not use or intentionally incorporate slip agents, biocides, plasticizers, bisphenol A, latex, antistatic agents, metallic dyes or mineral oil in the materials Eppendorf uses for the production of Eppendorf Cell Culture Consumables.	
Eppendorf Quality Management	ISO 9001/13485/14001	

Your local distributor: www.eppendorf.com/contact
Eppendorf AG · 22331 Hamburg · Germany
eppendorf@eppendorf.com · www.eppendorf.com