



**Technical Data Sheet**

Eppendorf twin.tec® PCR Plate 96, skirted 150 µL  
English (EN)

**Dimensions and position of barcodes on pre-barcoded SafeCode plates**

There is no barcode on the rear view.

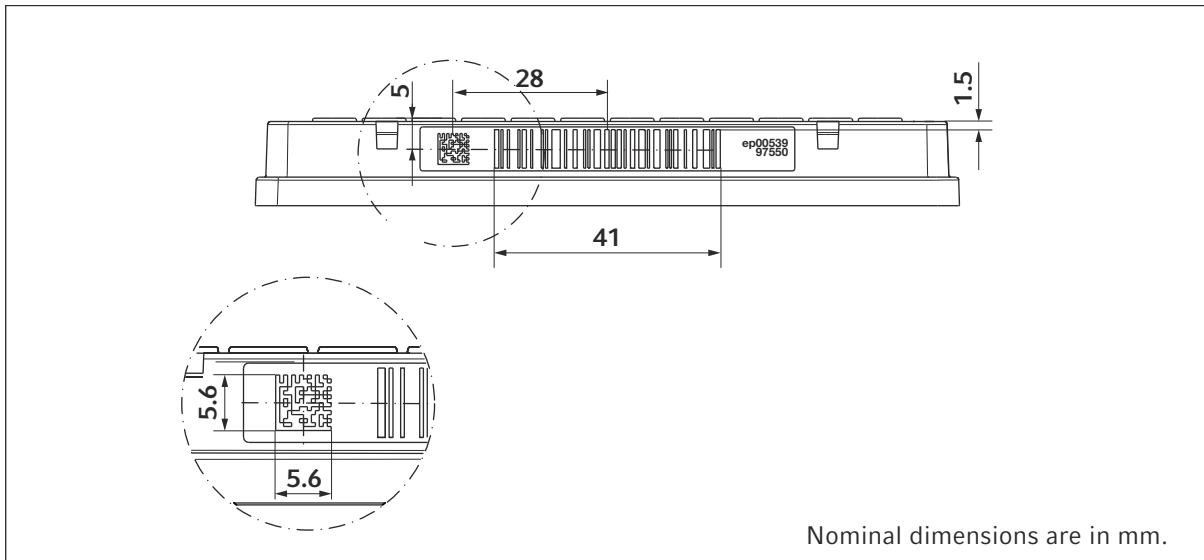


Fig. 1-2: Front view

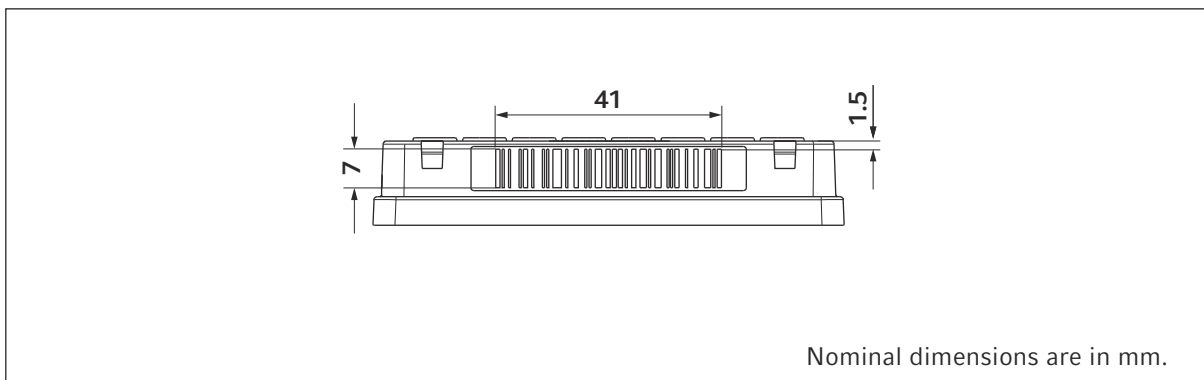


Fig. 1-3: Left and right side view

### Dimensions and position of customized barcodes

The number of sides and the content of barcodes are defined by the customer.

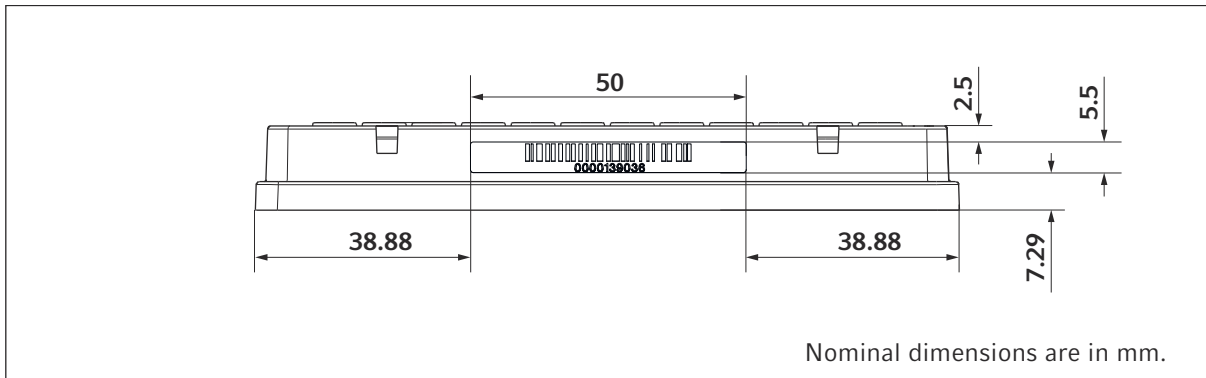


Fig. 1-4: Front view and rear view

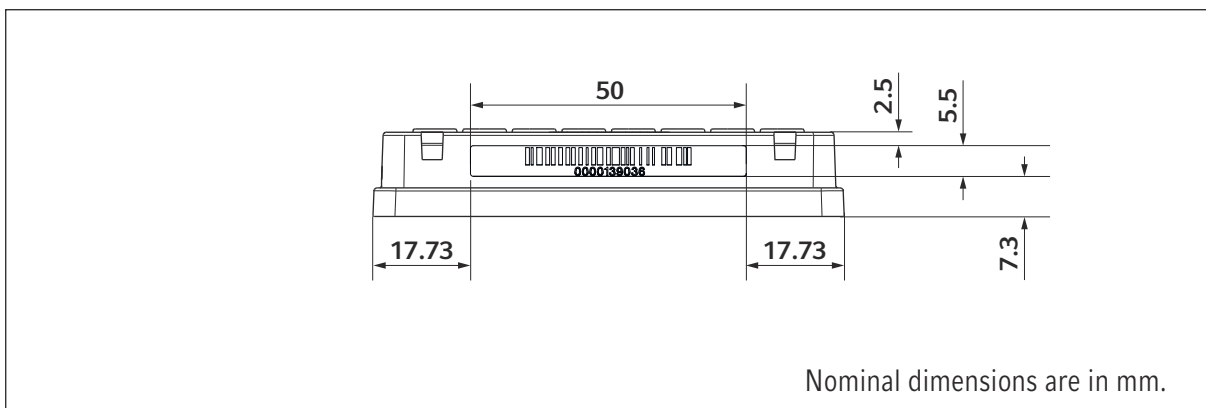


Fig. 1-5: Left and right side view

## Technical Data Sheet

Eppendorf twin.tec® PCR Plate 96, skirted 150 µL  
English (EN)

### Labeling and optical grid of bio-based plates

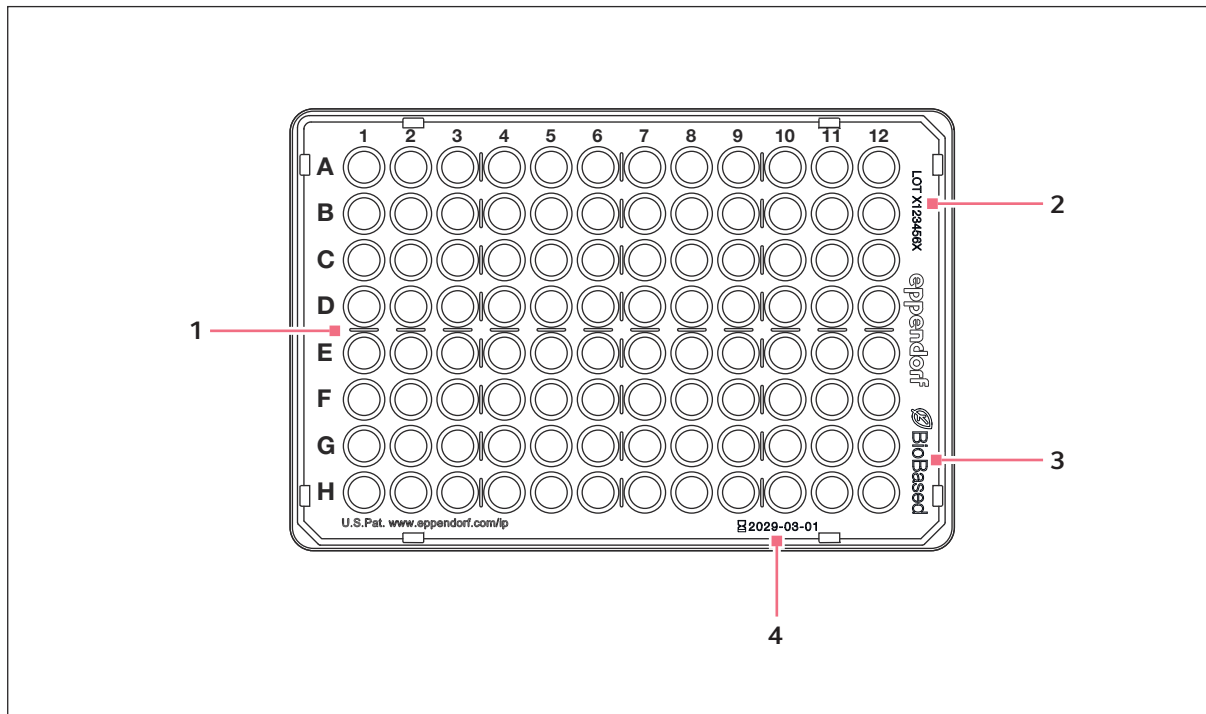


Fig. 1-6: Top view

- |   |              |   |               |
|---|--------------|---|---------------|
| 1 | Optical grid | 3 | BioBased logo |
| 2 | LOT number   | 4 | Use-by date   |

Your local distributor: [www.eppendorf.com/contact](http://www.eppendorf.com/contact)

Eppendorf SE · Barkhausenweg 1 · 22339 Hamburg · Germany  
[eppendorf@eppendorf.com](mailto:eppendorf@eppendorf.com) · [www.eppendorf.com](http://www.eppendorf.com)