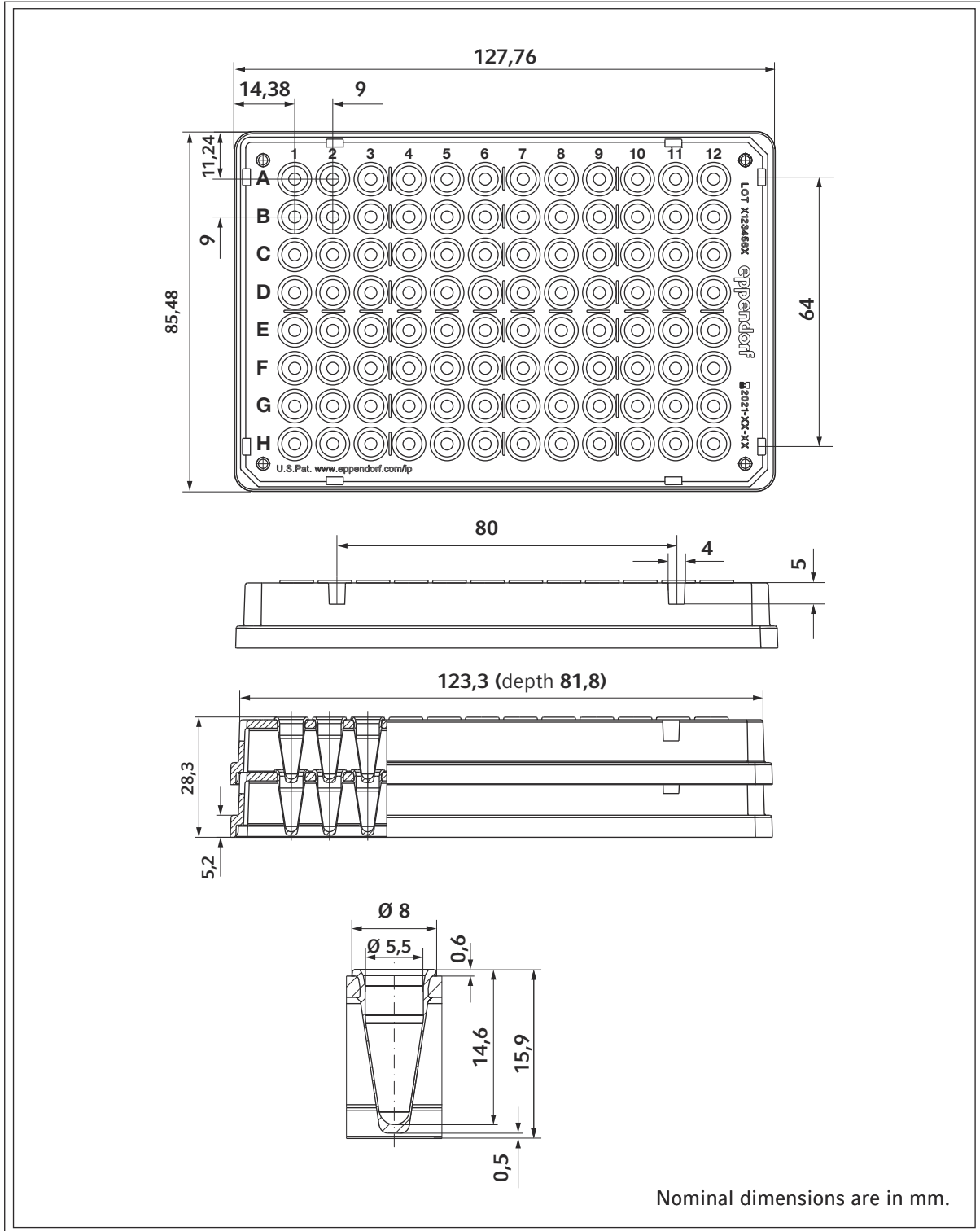


Technical Data Sheet

Eppendorf twin.tec® PCR Plate 96, skirted Trace 150 µL
English (EN)

1 Dimensions



Your local distributor: www.eppendorf.com/contact

Eppendorf SE · Barkhausenweg 1 · 22339 Hamburg · Germany
eppendorf@eppendorf.com · www.eppendorf.com