

Keep this rotor instruction manual and the centrifuge manual in the file.

Angle Rotor for Refrigerated Centrifuge

R20A2

(Serial No. 4001 or later)



Before using these rotors, please carefully read this instruction manual and the centrifuge instruction manual for its efficient operation and for your safety.
Keep this instruction manual for your reference and refer to it as required.


Contents


1. Specifications	_____	1
2. Tubes/Bottles	_____	3
3. How to use	_____	6
4. Maintenance	_____	8
5. Packing list	_____	10
6. Spare parts	_____	10
7. Decontamination	_____	11
8. Rotor retirement	_____	11
(Appendix) K Factors	_____	12

Safety Reminder

- Centrifuge rotors rotating at high speed have considerable potential for damage to personal properties if used improperly.
For safe and proper use of this rotor, carefully read the centrifuge instruction manual and this rotor instruction manual before use and observe the instructions.

 **WARNING :** and  **CAUTION :** notes are used to call your attention in this manual to prevent personal injury or damage to the rotor and the centrifuge.
These notes are defined as follows.

 **WARNING:** indicates a potentially hazardous situation which, if not avoided, could result in personal severe injury or possible death.

 **CAUTION:** indicates a hazardous situation which, if not avoided, could result in personal injury or severe damage to the instrument.

WARNING

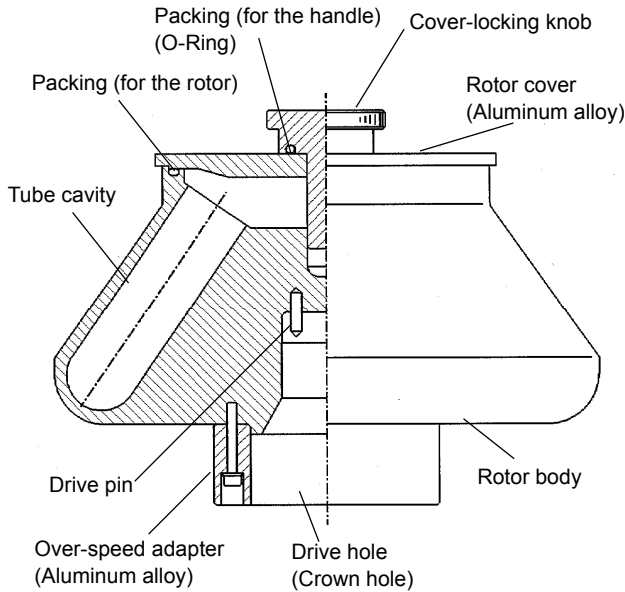
- Never use any material capable of producing flammable or explosive vapors.
- Your centrifuge and rotor are not designed to confine any sample particles dispersed due to leakage. Therefore, when using toxic or radioactive samples or pathogenic or infectious blood samples, make sure to prepare necessary safety measures at your own responsibility.
- Never exceed the maximum speed of the rotor (mentioned on the rotor).
Always reduce rotor speed as instructed in this manual when rotor speed is limited due to sample density or kinds of tubes.
- Check the attached chemical resistance chart, and do not use any sample inapplicable to the rotor.
- If the centrifuge, rotor, or an accessory is contaminated by samples that are toxic or radioactive, or blood samples that are pathogenic or infectious, be sure to decontaminate the item according to good laboratory procedures and methods.
- If there is a possibility that the centrifuge, rotor, or an accessory is contaminated by samples that might impair human health (for example, samples that are toxic or radioactive, or blood samples that are pathogenic or infectious), it is your responsibility to sterilize or decontaminate the centrifuge, rotor, or the accessory properly before requesting repairs from an authorized sales or service representative.
- It is your responsibility to sterilize and/or decontaminate the centrifuge, rotor, or parts properly before returning them to an authorized sales or service representative.

CAUTION

- Do not run the rotor without the rotor cover in position.
Tighten the cover-locking knob securely.
- Balance the tubes/bottles and the samples including the caps and the adapters within the allowable imbalance of the rotor. Do not exceed the allowable imbalance.
- Clean the inside of the drive hole (crown hole) of the rotor and the surface of the drive shaft (crown) of the centrifuge once a month. If the drive hole or the drive shaft is stained or any foreign matter is adhered, the rotor may be improperly installed and come off during operation.
- Use the rotor tubes and bottles within their actual capacities.
- Do not use tubes/bottles that have exceeded their life expectancy. Failure to do so could result in damage of tubes/bottles and the rotor and the centrifuge. The life expectancy of tubes/bottles depends on factors such as the characteristics of samples, speed of the rotor used, and temperature.
Always check for deterioration and damage (cracks, deformation, and so on) on tubes/bottles before using them. Do not use the tubes/ bottles if you find such a problem.
- Inspect and maintain the rotor after use. If abnormality is observed, do not use it.
Contact an authorized sales or service representative.

1. Specifications

1.1 Construction



R20A2: Material of the cover-locking knob: Stainless steel
 R20A2: Material of the rotor body: Aluminum alloy
 R20A2: Material of the packing (for the handle) (O-Ring): Fluorine-contained rubber
 R20A2: Material of the packing (for the rotor): Nitrile rubber

Figure1-1 Construction of the angle rotor

1.2 Specifications

Applicable centrifuge*1

(Some centrifuges are on sale in only Japan. Visit our web site.)

Max. speed*2: 20,000 rpm
 Max. RCF: 48,000 × g
 Nominal rotor capacity: 50 mL × 8 tubes = 400 mL
 Rotor Size: φ 225 × 163.7 mm
 Weight: 6.8 kg
 Material: Aluminum alloy
 Rotor No.: 46

*1: For applicable centrifuges, refer to the “Applicable centrifuges (Rotors for high-speed refrigerated centrifuges) (Part No. S998611)”.

*2: The maximum allowable speed varies with centrifuge models and so on. For further details, refer to the “Applicable centrifuges (Rotors for high-speed refrigerated centrifuges) (Part No. S998611)”.

1.3 Cross-sectional view of rotor

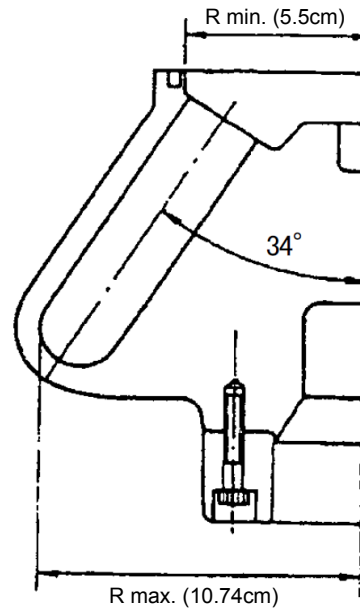


Figure1-2 Cross-sectional view of R20A2 rotor

1.4 Characteristic of rotor

Table1-1 Characteristics (when 50PA tubes are used)

Rotor speed (rpm)	RCF (×g)		K factor*
	Rmin. (5.5cm)	Rmax. (10.74cm)	
2,000	246	480	42,379
4,000	984	1,920	10,595
6,000	2,210	4,320	4,709
8,000	3,940	7,680	2,649
10,000	6,150	12,000	1,695
12,000	8,850	17,300	1,177
14,000	12,100	23,500	865
16,000	15,700	30,700	662
18,000	19,900	38,900	523
20,000	24,600	48,000	424

*For details about K factor, refer to “(Appendix) K Factors”

Calculation formula

$$RCF = 1.118 \times 10^{-5} \times R \times N^2 (\times g)$$

R: Rotating radius (cm)

N: Speed(rpm)

1.5 Allowable speed of the rotor



WARNING :

Do not exceed the maximum speed of the rotor. The rotor speed should be limited depending on sample characteristic, kinds of tubes/bottles and centrifuge model.
Do not exceed the allowable speed of the rotor.

The maximum speed marked on the surface of the rotor cover is permitted under the conditions as follows.

-Average sample density : less than 1.2g/mL

-Standard tubes/bottles are used.

Depending on sample density, kinds of tubes/bottles and centrifuge model, the rotor speed may be limited as follows. Do not exceed the allowable speed of the rotor.

(1) Allowable speed for sample density



WARNING :

When sample density exceeds 1.2g/mL, calculate the allowable speed according to the following equation.

$$\text{Allowable speed (rpm)} = 20,000(\text{rpm}) \times \sqrt{\frac{1.2(\text{g/mL})}{\text{Average density of sample}(\text{g/mL})}}$$

(2) Allowable speed for combination of tube/bottle, cap, adapter, etc.

The rotor speed should be limited by combination of tube/bottle, cap, adapter, etc.

For details, refer to “2.2 Applicable tubes/bottles”.

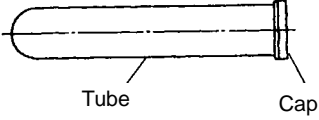
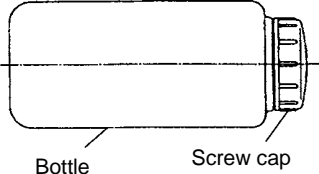
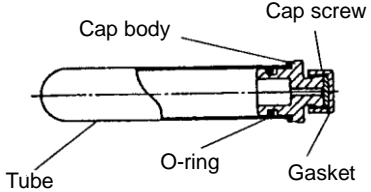
Perform operation under the allowable speed, otherwise tubes/bottles may be broken during operation.

When using tubes, bottles, etc. on the market, perform operation under the allowable speed or the allowable RCF specified by the manufacturer. Otherwise tubes, bottles, etc. may be broken during the operation.

2. Tubes/Bottles

2.1 Kinds of tubes and bottles

Following table shows general types of tubes and bottles.

Simplified types		Seal-capped type
<p>(A) Tube system</p>  <p style="text-align: center;">Tube Cap</p>	<p>(B) Bottle system</p>  <p style="text-align: center;">Bottle Screw cap</p>	<p>(C) Tube system</p>  <p style="text-align: center;">Tube O-ring Gasket</p> <p style="text-align: center;">Cap body Cap screw</p>

Tubes and bottles are made of the following materials.

PC: Polycarbonate

Strong, transparent and can be autoclaved at 121°C or less. Use the tubes/bottles at a temperature between 4 °C and 25 °C. Weak in organic solution, alkali solution, and alkali detergent.

PE: Polyethylene

Opaque. Can not be autoclaved. Excellent in chemical resistance.

Use the tubes/bottles at a temperature between 4 °C and 20 °C.

PP: Polypropylene

Strong but susceptible to low temperature (brittle point:0°C). It can be autoclaved at 121°C or less.

Use the tubes/bottles at a temperature between 4 °C and 25 °C.

PA: Polypropylene copolymer

Strong and can be autoclaved at 115°C or less. Use the tubes/bottles at a temperature between 4 °C and 25 °C.

SST: Stainless steel

Excellent in chemical resistance and heat resistance. It can be autoclaved at 121°C or less.

Glass: It is transparent and highly heat-resistant.

Refer to the attached "Chemical resistance chart (Part No. S999313)" for chemical resistance of each material.

2.2 Applicable tubes/bottles

Table2-1 Applicable tubes/bottles


Tubes/Bottles				Tube Adapter				Cap		Max. speed (rpm)	Max. RCF (xg)
Part No. (Qty)	Name	Size (φ XL cm)	Actual capacity (mL/tube)	Part No. (Qty)	Name	Size (φ XL cm)	Material * 2	Part No. (Qty)	Name		
328353A (10 pcs.)	50PA Tube	2.9 X 10.4	38	---	---	---	---	328479A (20 pcs.)	M-PP Lid	20,000	48,000
328354A (10 pcs.)	50PC Tube	2.9 X 10.3	36	---	---	---	---	328479A (20 pcs.)	M-PP Lid	20,000	48,000
S306352A (10 pcs.)	50PP Bottle Ass'y	2.9 X 10.3	34	---	---	---	---	---	---	20,000	48,000
328352A (10 pcs.)	50PC Bottle Ass'y	2.9 X 10.3	36	---	---	---	---	---	---	20,000	48,000
328342A (2 pcs.)	50SST Tube	2.9 X 10.2	41	---	---	---	---	---	Capless	20,000	48,000
Marketed	1.5mL Microtube * 1	1.1 X 3.9	1.5	S407652A (2 pcs.)	1.5X2A50 Adapter	2.8 X 10.0	POM	---	---	15,000	18,300
464977A (50 pcs.)	10 GlassTube	1.2 X 10.5	7.4	336712A (8 pcs.)	10GA50 Adapter	2.8 X 10.1	NBR	---	Capless	4,000	1,810
325470A (50 pcs.)	12PE Tube	1.6 X 7.5	9.8	S413527A (2 pcs.)	11A50 Adapter (C)	2.9 X 9.8	PP	424916A (1 pc.)	C2-AL Cap Ass'y	15,000	23,300
329606A (50 pcs.)	12PA Tube	1.6 X 7.6	9.9	S413527A (2 pcs.)	11A50 Adapter (C)	2.9 X 9.8	PP	424916A (1 pc.)	C2-AL Cap Ass'y	15,000	23,300
325751A (50 pcs.)	12PC Tube	1.6 X 7.6	10.3	S413527A (2 pcs.)	11A50 Adapter (C)	2.9 X 9.8	PP	424916A (1 pc.)	C2-AL Cap Ass'y	15,000	23,300
326010A (2 pcs.)	12SST Tube	1.6 X 7.6	10.7	S413527A (2 pcs.)	11A50 Adapter (C)	2.9 X 9.8	PP	424916A (1 pc.)	C2-AL Cap Ass'y	15,000	23,300
325952A (10 pcs.)	10PC Bottle Ass'y	1.6 X 8.2	8.2	S413527A (2 pcs.)	11A50 Adapter (C)	2.9 X 9.8	PP	---	---	15,000	23,300
333959A (10 pcs.)	11PA Thick-Walled Tube	1.6 X 8.2	8.0	S413527A (2 pcs.)	11A50 Adapter (C)	2.9 X 9.8	PP	328478A (20 pcs.)	C2-PP Lid	15,000	23,300
326607A (10 pcs.)	11PC Thick-Walled Tube Ass'y	1.6 X 8.3	8.4	S413527A (2 pcs.)	11A50 Adapter (C)	2.9 X 9.8	PP	---	---	15,000	23,300

*1: When using tubes on the market, perform operation under the allowable speed or the allowable RCF specified by the manufacturer. Otherwise the tubes may be broken during operation.

*2: Material: POM: Polyacetal NBR: Nitrile rubber PP: Polypropylene

The maximum allowable speed varies with centrifuge models and so on. For further details, refer to the "Applicable centrifuges (Rotors for high-speed refrigerated centrifuges (Part No. S998611))".

The rotor speed is limited by the sample density and so on (see Section1.5).

 **CAUTION:**
When using bottles/tubes outside 4-25°C, bottles/tubes may be broken or deformed during operation. Test them before actual operation and perform actual operation after checking that there is no inconvenience such as the above.

- Maximum speeds listed are guidelines only. Because of variances in user methodologies, no guarantee of performance is expressed or implied.

2.3 Washing and sterilization of tubes/bottles

Properly wash and sterilize the tubes/bottles according to Table 2-2.

Comply with instructions of each maker for washing and sterilization of commercially available tubes.

•Washing

Wash the tubes/bottles with tap water or a dilute solution of neutral detergent. If the tubes/bottles stain heavily, soak them in a dilute solution of neutral detergent or wash them with a soft brush being careful not to scratch them. Then rinse the tubes/bottles in tap water and finally rinse them with distilled water. Dry the tubes/bottles in the air. Use a detergent of pH 5 to 9 because the PC tubes/bottles are susceptible to alkaline solutions. Avoid soaking the tubes/bottles in a dilute solution of neutral detergent for a long time. Otherwise, the tubes/bottles may be degraded in strength. For the caps of the tubes/bottles, remove them from the tubes/bottles then wash, dry and store the caps in the same manner as the tubes/bottles.

• Autoclaving PA, PP and PC tubes/bottles

Wash the tubes/bottles well. Put them on a heat-resistant tube stand facing their mouths upward.

Remove the screw caps or the lids to prevent deformation or breakage during autoclaving. After autoclaving, wait until the temperature in the autoclaving chamber reduces to the room temperature, then take out the tubes/bottles.


 **CAUTION:**
Do not place the screw caps or lids on the mouths of the tubes/bottles. Otherwise the tubes/bottles may be deformed or damaged during autoclaving.

Table 2-2 Washing and sterilization of tubes/bottles

✓: Applicable ×: Inapplicable

Condition		Material	PE	PA	PC	PP	SST
Cleaning	Cleaning fluids	pH5 or lower	×	×	×	×	×
		pH5 to pH9	✓	✓	✓	✓	✓
		pH9 or higher	✓	✓	×	✓	✓
		Warm water (up to 50°C)	✓	✓	✓	✓	✓
	Ultrasonic cleaning	Neutral detergent (pH7)	✓	✓	✓	✓	✓
Sterilization	Autoclaving	115°C (0.7kg/cm ²), 30 minutes	×	✓	✓	✓	✓
		121°C (1.0kg/cm ²), 20 minutes	×	×	✓	✓	✓
		126°C (1.4kg/cm ²), 15 minutes	×	×	×	×	×
	Boiling	For 15 to 30 minutes	×	✓	✓	✓	✓
	Ultraviolet sterilization	200-300nm	×	×	×	×	✓
	Gas sterilization	Ethylene oxide	✓	✓	×	✓	✓
		Formaldehyde	✓	✓	✓	✓	×
	Chemical	Ethanol (70%)	✓	✓	×	✓	✓
		Hydrogen peroxide (3%)	✓	✓	✓	✓	✓
Formalin (3%)		✓	✓	✓	✓	×	

PE: Polyethylene PA: Polypropylene copolymer PC: Polycarbonate

PP: Polypropylene SST: Stainless steel

2.4 Life expectancy of plastic tubes/bottles

The life of a plastic tube/bottle depends upon the sample, speed of rotor, temperature, etc. The standard life of a plastic tube/bottle when used with aqueous samples (of pH5 to pH9) is specified as follows (in case it is used repeatedly for 1 hour at the maximum speed of rotor):

- (1) Tubes (PA, PP, PC, and PE) 5 times
- (2) Thick-walled tubes and bottles (PA, PP, PC, and PE) 50 times
- (3) Tubes on the market 1 time

However, the standard lives of the PC thick-walled tubes and PC bottles are specified as follows depending upon the pre-treating conditions such as washing, sterilization, etc.:

Table 2-3 Standard Lives of the PC thick-walled tubes and PC bottles

Sample	Washing and sterilization	Sterilization in gas or washing in hot water	Autoclaving at 121°C x 20min
Neutral (pH7)		50 times	10 times
Weak alkali (pH7 to pH9)		30 times	5 times

The standard life of a plastic tube/bottle as the above is an approximate guide when it is used repeatedly for 1 hour at the maximum speed of rotor. We do not warrant the life expectancies of tubes/bottles.

Do not use crazed (cracked) tubes or bottles.

3. How to use

3.1 Preparation of tubes/bottles

Check that the tubes/bottles are free from crack or deformation. Do not use remarkably deformed or cracked tubes/bottles.

⚠ WARNING :

- This rotor and the centrifuge are not explosion-proof. Never use explosive or flammable samples.
- For safety, there are limits on the use of bio-samples which require bio-isolation, such as pathogenic germs and DNA recombination, as well as RI substance in centrifuges. Perform strict safety controls when separating samples containing these substances.

⚠ CAUTION:

- Do not use any sample inapplicable to the tubes/bottles and the caps in use referring to the attached "Chemical resistance chart". Otherwise, the tubes/bottles and the caps may be degraded.
- Chemical resistance and the strength of tubes/bottles varies with speed, temperature, and so on. Before using sample, fill tubes/bottles with water, buffer solution, etc. instead of sample and run them at the intended speed, temperature, and so on to ensure that there is no abnormality.
- Do not exceed the specified sample capacity of the tubes/bottles, otherwise sample leakage or deformation of tubes/bottles may occur.
- Balance the sample within the allowable imbalance including the weight of the tubes/bottles, caps and adapters. Excessive imbalance can cause damage to the centrifuge and the rotor.
- Use the samples that are same in compositions and same in density when placing them symmetrically. Otherwise the precipitation levels may be different by centrifugation and such operation may increase the level of imbalance, and it may result in damage to the centrifuge and the rotor.

How to use the tubes/bottles may vary depending on the types of tubes/bottles as follows.

(1) Simplified type

Inject the samples into the tubes/bottles and cap the tubes/bottles properly. Do not exceed the specified sample capacity of the tubes/bottles, otherwise sample leakage or deformation of tubes/bottles may occur.

Balance the tubes/bottles that are symmetrically arranged. The allowable imbalance of this rotor is within 2 g.

(2) Seal-capped type

Mount the O-ring to the cap body and push the gasket in the cap screw. Fill the tube 2/3 full of a sample and push the cap body in. Inject a sample into the tube with a syringe through the small hole to fill the tube to the capacity. Do not exceed the allowable imbalance between the tubes symmetrically arranged in the rotor with respect to the drive shaft. The allowable imbalance of this rotor is within 2 g. Securely tighten the cap screws.

- The stainless steel tubes are shipped in a set of two with very little difference in weight (1 g or less).

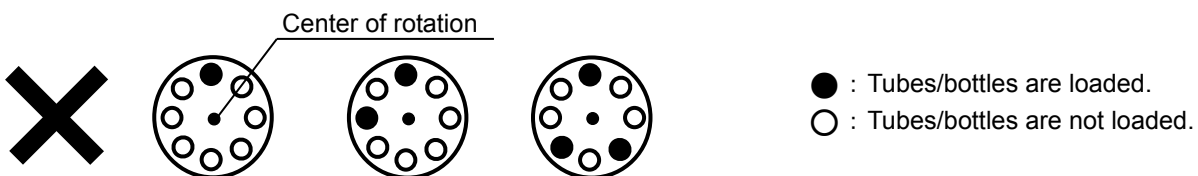
The weight is engraved on the body. Set the two stainless steel tubes in the rotor symmetrically with respect to the drive shaft.

3.2 Setting of tubes/bottles into rotor

⚠ CAUTION:

Do not load only one tube/bottle nor arrange the tubes/bottles asymmetrically with respect to the drive shaft, otherwise the centrifuge or the rotor may be damaged due to excessive imbalance operation.

Check that the tube cavities of the rotor are free from foreign substances. Set the balanced tubes/bottles symmetrically with respect to the drive shaft. Pre-cool the rotor when the operating temperature of the rotor is lower than the room temperature or pre-heat the rotor when the operating temperature of the rotor is higher than the room temperature before setting the tubes/bottles in the rotor. Examples of incorrect tube/bottle setting are shown below.



3.3 Mounting the rotor cover

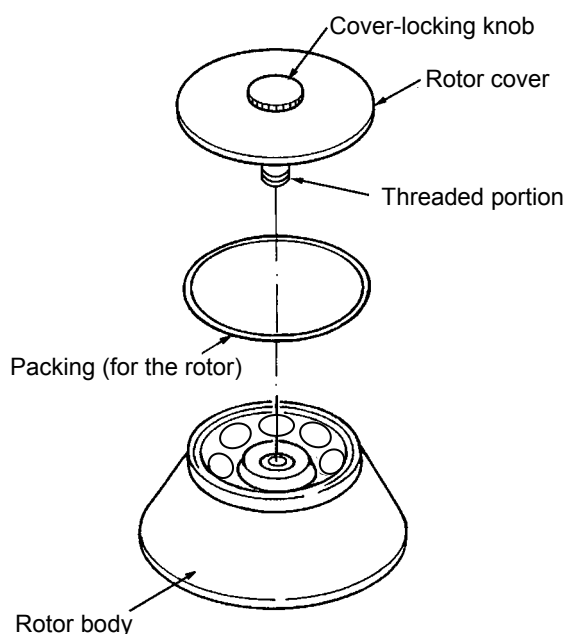
⚠ CAUTION:

- Be sure to mount the rotor cover to the rotor body and tighten the cover locking knob securely before operation, otherwise the rotor or the rotor cover may be removed during operation and result in damage to the centrifuge and the rotor.
- Do not mount the rotor cover into the rotor while the rotor is placed in the rotor chamber. Doing so might cause the rotor cover to be tightened insufficiently.
Do not remove the rotor cover from the rotor while the rotor is placed in the rotor chamber. Doing so might cause the parts of the rotor cover to be damaged.

- (1) Apply silicone grease (vacuum grease) (standard accessory of the centrifuge) to the packing (for the rotor) and then fit the packing (for the rotor) in the groove of the rotor body. Replace the packing (for the rotor) with new one if damaged or deteriorated.

If you neglect to apply silicone grease (vacuum grease), it might be hard to mount or remove the rotor cover. When it is hard to mount or remove the rotor cover, apply silicone grease (vacuum grease) to the packing (for the rotor).

- (2) Apply lubricant for screw (Part No. 84810601) to the threaded portion of the cover locking knob. Put the rotor cover on the rotor body. Turn the cover locking knob to screw in the rotor body securely.



3.4 Operation

Mount the rotor onto the drive shaft of the centrifuge gently and securely. Check that the rotor cover is mounted and the cover-locking knob is securely tightened. Perform operation according to the instructions of the centrifuge instruction manual.

3.5 Taking out samples

After the operation, gently take out the rotor from the centrifuge and remove the rotor cover by turning the cover locking knob. Take out the tubes/bottles from the rotor and then take out the sample in a proper manner.

4. Maintenance

4.1 Corrosion resistance of rotor



WARNING:

Check the attached chemical resistance chart, and do not use any sample inapplicable to the rotor.

This rotor is made of aluminum alloy. The rotors made of aluminum alloy have high corrosion resistance and they are covered with an anodic oxidation coating. However, use of inapplicable chemicals can corrode these rotors and decrease the strength. Use samples that will not affect the rotor referring to the attached chemical resistance chart.

4.2 Maintenance of rotor

After the operation, properly maintain the rotor to prevent corrosion that can cause the rotor breakage.

- Normal maintenance



CAUTION:

Clean the inside of the drive hole (crown hole) of the rotor and the surface of the drive shaft (crown) of the centrifuge once a month. If the drive hole or the drive shaft is stained or any foreign matter is adhered, the rotor may be improperly installed and come off during operation.

Wash the rotor with tap water or a dilute solution of neutral detergent and rinse it out with distilled water. Wipe the rotor with a soft cloth. Turn the rotor upside down with the rotor cover removed to dry it well. Check that the rotor is completely dried and then put a light coat of silicone grease (vacuum grease) (standard accessory of the centrifuge) on the rotor. Store the rotor in a dry place.

- Maintenance after use of a corrosive sample

Wash the rotor with tap water immediately after the operation. Then perform the normal maintenance.

- Maintenance when foreign substances are adhered to the rotor



WARNING :

Do not allow the rotor temperature to rise over 100°C. Otherwise, the rotor can be brittle.



CAUTION:

Use a neutral detergent having a pH between 5 and 9, otherwise the rotor can be discolored or corroded.

Soak the rotor in warm water for one or two hours and wash the inside of the tube cavities and the crown hole at the rotor bottom with a soft brush to remove foreign substances. Do not forget to remove foreign substances adhered in the crown hole at the rotor bottom, otherwise the rotor and the drive shaft may be damaged.

4.3 Sterilizing rotor

Sterilize this rotor and the rotor cover in any following methods; autoclaving(121°C, 20minutes), gas sterilization method (ethylene oxide or formaldehyde) or chemical sterilization method (70% ethanol, 3% hydrogen peroxide, 3% formalin).

Sterilize the plastic or rubber adapters according to either gas sterilization method (ethylene oxide or formaldehyde) or chemical sterilization method (70% ethanol, 3% hydrogen peroxide, 3% formalin).

 **WARNING:**

- Never sterilize the rotor whose serial number is 4000 or earlier by autoclaving.
- Be sure to remove the rotor cover from the rotor before autoclaving, otherwise the rotor and the rotor cover may be deformed.
- Never sterilize the rotor and the rotor cover by boiling, otherwise they will be brittle.

 **CAUTION:**

- After autoclaving, wait until the temperature in the autoclaving chamber is the same as the room temperature and then take out the rotor and the rotor cover.
- Take out the rotor and the rotor cover carefully from the autoclaving chamber as they are wet and slippery.
- Inspect the packing (for the rotor) after sterilization. If you observe that the packing (for the rotor) is damaged and is deteriorated, replace it with the new one.
- Do not soak the rotor and the rotor cover in chemicals. Failure to do so can cause the rotor to be damaged due to the remaining liquid inside of the rotor.
- Never sterilize the adapters by autoclaving or boiling. Otherwise, the adapters may be deformed. Such adapters cannot be used.

4.4 Inspecting rotor

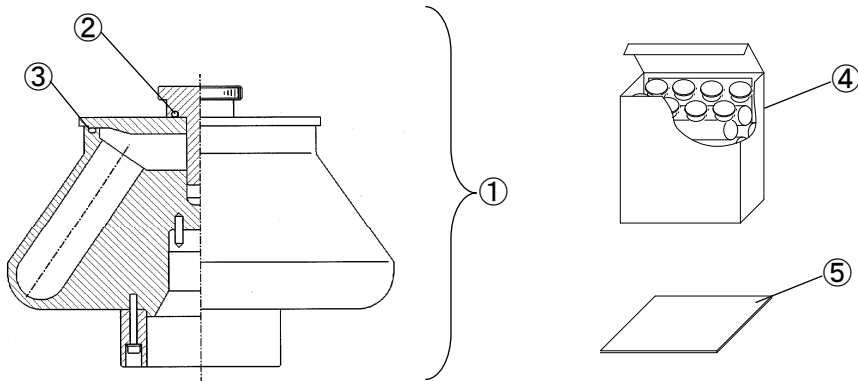
Periodically check that the rotor is free from corrosion every 100 hours use. Especially be careful of the tube cavities of the rotor and the crown hole at the rotor bottom because the rotor can be brittle if these portions are corroded. If the rotor surface is discolored, dented or cracked, the rotor is corroded. Do not use such a corroded rotor and contact an authorized sales or service representative immediately for further inspection.

5. Packing list


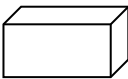
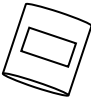



Check the parts and accessories of the rotor when the rotor is delivered. Contact an authorized sales or service representative if there are a missing item and inferior goods.

No.	Name	Qty	Remark
①	Rotor	1	—
②	Packing (for the handle) (O-Ring)	1*	—
③			
④	50 PA tube Ass'y	1	50 PA tube: 8 pcs. M-PP lid: 8 pcs.
⑤	Rotor instruction manual	1	Part No. S998257

*: the quantities of the parts that are mounted to the rotor



6. Spare parts

	PART No.	Name	Qty
	84521017	Packing (for the handle) (O-Ring)	3
	S409675A	Packing (for the rotor)	3
	328353A	50PA tube	10
	328479A	M-PP lid	20
	84810601	Lubricant for screw	1
	483719	Silicone grease (vacuum grease)	1
	S998257	Rotor Instruction manual	1

7. Decontamination



WARNING:

- If the centrifuge, rotor or an accessory is contaminated by samples that are toxic or radioactive, or blood samples that are pathogenic or infectious, be sure to decontaminate the item according to good laboratory procedures and methods.
- If there is a possibility that the rotor or an accessory is contaminated by samples that might impair human health (for example, samples that are toxic or radioactive, or blood samples that are pathogenic or infectious), it is your responsibility to sterilize or decontaminate the rotor or the accessory properly before requesting repairs from an authorized sales or service representative. Note that we cannot repair the centrifuge, rotor or the accessory unless sterilization or decontamination is completed.
- It is your responsibility to sterilize and/or decontaminate the rotor or parts properly before returning them to an authorized sales or service representative. In such cases, copy the attached decontamination sheet and fill out the copied sheet, then attach it to the item to be returned. We may ask you about the treatment for the rotor or parts if the decontamination is checked and judged as insufficient by us. It is your responsibility to bear the cost of sterilization or decontamination. Note that we cannot repair or inspect the rotor or the accessory unless sterilization or decontamination is completed.

8. Rotor retirement

After many years of use, there will be inevitably some corrosion or stress corrosion. At some points, the combination of such damage and metal fatigue could make the rotor vulnerable to a failure. Although a rotor may appear to be in a good condition, you should follow the rotor retirement recommendation shown below.

Rotor	Material	Retire After Years
Refrigerated centrifuge rotors	Aluminum alloy	15
	Stainless steel	

(Appendix) K Factors

- Calculation of separation time

The K factor can conveniently be used which makes it possible to estimate the settling time directly from Svedberg unit(S).

Namely, the time taken for particles of 1S to settle from Rmin. to Rmax. is K factor.

The K factor can be obtained from the formula show below.

$$K = \frac{\ln(R \max .) - \ln(R \min .)}{\omega^2} \cdot \frac{10^{13}}{3600}$$

ω : Angular velocity $\omega = 2\pi/60 \times N$

N : Speed (rpm)

Rmin. : Distance from axis of rotation to top of solution (cm)

Rmax. : Distance from axis of rotation to bottom of tube (cm)

Using the K factor, the settling time t (in hours) is expressed as follows:

$$t = \frac{K}{S}$$

For example, the K factor at the maximum speed of 20,000rpm of Model R20A2 rotor is 424. The time taken for particles of 100 S to be settled from Rmin. to Rmax. using this rotor is as follows:

$$t = \frac{424}{100} = 4.2 \text{ hours}$$

The time taken for settling of particles of 100 S by the same rotor at a speed of 15,000 rpm is:

$$K = \left(\frac{20,000}{15,000} \right)^2 \times 424 = 754 \quad t = \frac{754}{100} = 7.5 \text{ hours}$$

MEMO

Eppendorf Himac Technologies Co., Ltd.

1060, Takeda, Hitachinaka City
Ibaraki Pref., 312-8502 Japan

URL: <https://www.himac-science.com>

この取扱説明書は、遠心機本体取扱説明書と一緒にファイルに入れて大切に保存してください。

高速冷却遠心機用アングルロータ

R 2 0 A 2

(製造番号：4001以降)

- ・ご使用前に必ずこの取扱説明書と高速冷却遠心機本体の取扱説明書をあわせてよくお読みになり、正しくご使用ください。お読みになった後は、大切に保存してください。

—目次—

1. ロータの仕様	1
2. チューブ・ボトルについて	3
3. ロータの使用法	6
4. ロータの手入れ	8
5. 部品・付属品一覧	10
6. 補給用部品一覧	10
7. 汚染除去について	11
8. ロータのリタイアメント	11
9. ロータの廃棄について	11
(付録) K ファクタについて	12

このマニュアルの内容はすべて著作権により保護されています。このマニュアルの内容の一部または全部を、無断で転載することは禁じられています。

Copyright © 2021 Eppendorf Himac Technologies Co., Ltd. All rights reserved.

この取扱説明書に記載されている会社名および製品名は、一般に各社の商標または登録商標です。

△マークについて

この取扱説明書では、製品を安全に正しくお使いいただき、お客さまや他の人々への危害や財産の損害を未然に防ぐため、△マークをつけて注意を促すようにしています。
表示の意味は次のようになっていますので、内容を理解の上、本文をお読みください。

△ 警告：この表示を無視して、誤った取り扱いをすると、人が死亡または重傷を負う可能性が想定される事項を示しています。

△ 注意：この表示を無視して、誤った取り扱いをすると、人が傷害を負ったり、物的損害の発生が想定される事示しています。

△ 安全にご使用いただくために

遠心機のロータは高速回転しますので、取り扱いの誤りにより装置に多大な損害を与える場合があります。安全にご使用いただくために、ご使用前に遠心機本体およびロータの取扱説明書をよくお読みになり、次のことに十分注意を払ってください。

△ 警告

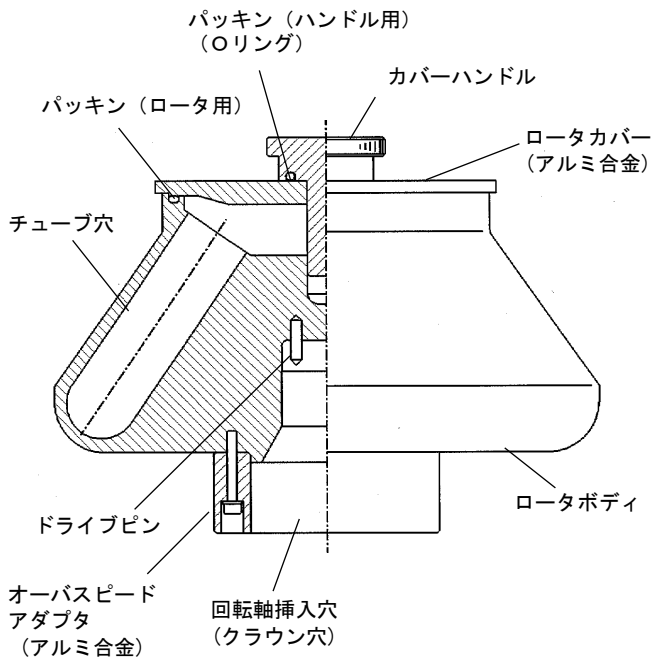
- ・ 引火性、爆発性のある試料は使用しないでください。
- ・ 有害物質、放射性物質、病原性物質あるいは感染性が否定できない血液等の試料を分離する場合は、使用者の責任において必要な安全対策を講じた上で行ってください。一般に遠心機およびロータは、遠心中の液漏れや万一の事故などによる試料の飛散を防ぐ構造になっていませんのでご注意ください。
- ・ ロータの最高回転速度（ロータ表面に刻印してあります）を超えての使用はしないでください。また回転速度は、使用するチューブの種類や試料の密度によって制限されることがありますので、取扱説明書を参照してご注意ください。
- ・ 別冊の「耐薬品性一覧表」を参照してロータの材質に対して使用不可となっている試料は使用しないでください。ロータの腐食の原因となる場合があります。
- ・ 装置、ロータ、および付属品が有害物質、放射性物質、病原性物質あるいは感染性が否定できない血液等の試料で汚染された場合には、必ず使用者の定める適切な汚染除去の手段に従って処理してください。
- ・ お買い求めいただいた販売店もしくは当社のサービス担当に修理を依頼される場合、装置、ロータ、または付属品等が有害物質、放射性物質、病原性物質あるいは感染性が否定できない血液等の試料により、人の健康に被害を生ずる汚染された状態またはそのおそれがあるときは、必ず事前に、装置使用者の責任において適切な消毒・汚染除去を行ってください。
- ・ 装置、ロータ、および部品等を返送される場合は、必ず事前に、装置使用者の責任において適切な消毒・汚染除去を行ってください。

△ 注意

- ・ ロータカバーは必ず取り付け、カバーハンドルを確実に締付けてください。
- ・ チューブ・ボトルと試料は、キャップ・アダプタを含めてロータの許容インバランス以内にバランスをとってください。許容量を超えたインバランス運転はしないでください。
- ・ ロータの回転軸挿入穴（クラウン穴）と遠心機の回転軸（クラウン）の表面を1回／月の割合で清掃して下さい。回転軸挿入穴や回転軸に汚れや付着物があると、ロータの回転軸への取付けが不完全となり、回転中にロータの離脱を引き起こす恐れがあります。
- ・ チューブ・ボトルは、規定された実容量以下の液量で使用してください。
- ・ 寿命に達したチューブ／ボトルは使用しないでください。回転中にチューブ／ボトルが破損し、ロータや遠心機の損傷を引き起こす恐れがあります。
チューブ／ボトルの寿命は、使用する試料の性質、使用するロータの回転速度、温度など使用する条件により左右されます。
使用前に、チューブ／ボトルが変形していないか傷やひびが入っていないか等をよく確認し、異常が認められる場合は、使用しないでください。
- ・ ロータは使用ごとに手入れと点検を行ってください。異常な点がありましたら、ロータの使用を中止し、お買い求めいただいた販売店もしくは当社のサービス担当までご連絡ください。

1. ロータの仕様

1.1 構造



R20A2 のカバーハンドルの材質：ステンレス鋼
 R20A2 のロータボディの材質：アルミ合金
 R20A2 のパッキン (ハンドル用) (Oリング) の材質：フッ素ゴム
 R20A2 のパッキン (ロータ用) の材質：ニトリルゴム

図 1-1 アンクルロータの構成図

1.2 仕様

適用遠心機*1

- 最高回転速度*2 20,000 rpm
- 最大遠心加速度 48,000 × g
- ロータ最大容量 (呼称) . . . 50mL × 8 本 = 400mL
- ロータ寸法 φ225 × 163.7 mm
- ロータ質量 6.8 kg
- ロータ材質 アルミ合金
- ロータ No. 46

*1: 適用遠心機については、ロータに同梱の「適用遠心機一覧表 (高速冷却遠心機用ロータ) (パーツ No.S998611)」を参照願います。

*2: 許容最高回転速度は、遠心機によって異なります。許容最高回転速度については、ロータに同梱の「適用遠心機一覧表 (高速冷却遠心機用ロータ) (パーツ No.S998611)」を参照願います。

1.3 断面図

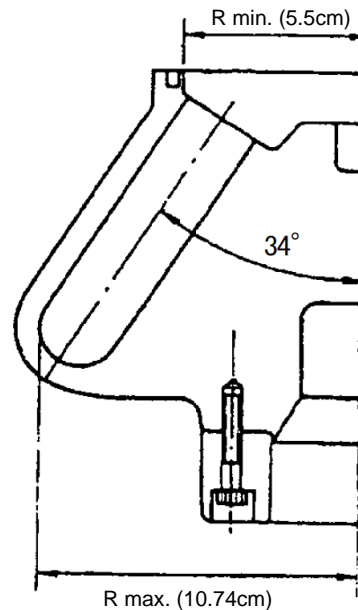


図 1-2 R20A2 の断面図

1.4 分離特性

表 1-1 R20A2 分離特性表 (50PA チューブの場合)

回転速度 (rpm)	遠心加速度 (×g)		Kファクタ
	Rmin. (5.5cm)	Rmax. (10.74cm)	
2,000	246	480	42,379
4,000	984	1,920	10,595
6,000	2,210	4,320	4,709
8,000	3,940	7,680	2,649
10,000	6,150	12,000	1,695
12,000	8,850	17,300	1,177
14,000	12,100	23,500	865
16,000	15,700	30,700	662
18,000	19,900	38,900	523
20,000	24,600	48,000	424

※ K ファクタについては、「付録.K ファクタについて」にて詳しく説明します。

回転速度と遠心加速度(RCF)の関係

$$RCF = 1.118 \times 10^{-5} \times R \times N^2 (\times g)$$

R: 回転半径 (cm)

N: 回転速度 (rpm)

1.5 ロータの許容回転速度



警告：

ロータは、いかなる場合でもそのロータの最高回転速度を越えて使用しないでください。
また、ロータの回転速度は使用する試料、チューブ・ボトルおよび遠心機によって制限される場合があります。制限された回転速度を越えて使用しないでください。

ロータは、試料の平均密度が 1.2g/mL 以下で、標準付属のチューブ・ボトルを用いた場合に、最高回転速度（ロータカバーの表面に表示されている回転速度）で使用することができます。しかし、使用する試料、チューブ・ボトル、および遠心機によっては、下記に示すように回転速度が制限されますので、制限された回転速度以下でご使用ください。

(1) 試料の密度による回転速度の制限



警告：

平均密度が 1.2g/mL を越える試料は、下記の計算式によって求められる許容回転速度を越えて使用しないでください。必ず許容回転速度以下でお使いください。

$$\text{許容回転速度 (rpm)} = 20,000 \text{ (rpm)} \times \sqrt{\frac{1.2 \text{ (g/mL)}}{\text{試料の平均密度 (g/mL)}}}$$

(2) チューブ・ボトル・キャップ・アダプタなどによる回転速度の制限

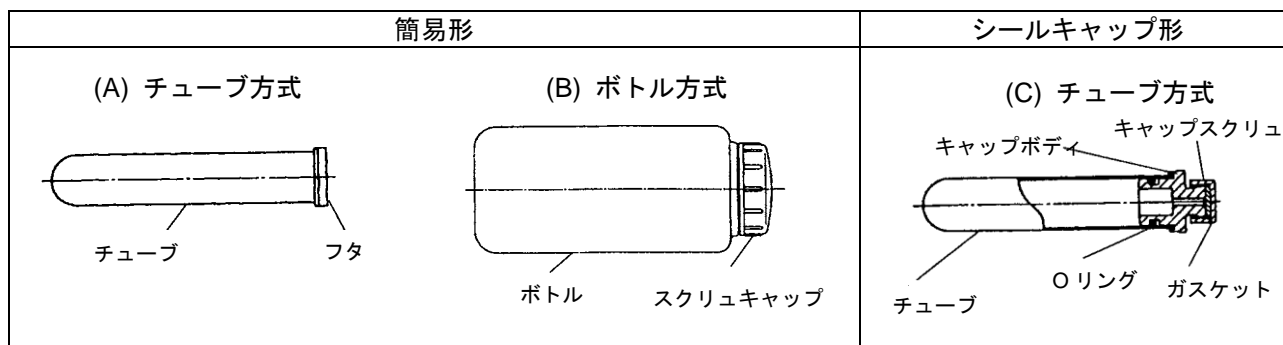
チューブ・ボトル・キャップ・アダプタなどの組み合わせによっては回転速度が制限されることがあります。詳しくは、「2.2 チューブ・ボトル一覧」を参照の上、許容回転速度以下でお使いください。許容回転速度を越えて使用するとチューブ・ボトルが破損する場合があります。

また、市販品のチューブ・ボトルは、メーカー指定の許容回転速度または許容最大遠心加速度以下で使用してください。許容値を越えて使用するとチューブ・ボトルが破損する場合があります。

2. チューブ・ボトルについて

2.1 チューブ・ボトルの種類

チューブ・ボトルの形式には一般に次のものがあります。



また、チューブ・ボトルの材質には以下のものがあります。

PC：ポリカーボネート

透明で、強度的にも優れています。4℃～25℃でご使用ください。121℃以下でオートクレーブ滅菌ができます。有機溶剤、アルカリ溶液に弱い欠点があります。アルカリ性の洗剤で影響があります。

PE：ポリエチレン

不透明ですが、耐薬品性に優れています。4～20℃でご使用ください。オートクレーブ滅菌はできません。

PP：ポリプロピレン

強度的に優れていますが、低温に弱い（脆化点0℃）欠点があります。4℃～25℃でご使用ください。121℃以下でオートクレーブ滅菌が可能です。

PA：ポリプロピレンコポリマー(PPCO)

強度的に優れています。4℃～25℃でご使用ください。115℃以下でオートクレーブ滅菌が可能です。

SST：ステンレス

耐熱性、有機溶剤などに対する耐薬品性に優れています。121℃以下でオートクレーブ滅菌ができます。

ガラス：透明で耐熱性に優れています。

材質ごとの耐薬品性については、ロータに付属している「耐薬品性一覧表（パーツ No.S999313）」もご覧ください。

2.2 チューブ・ボトル一覧

表 2-1 R20A2 ロータの使用可能チューブ・ボトル

チューブ・ボトル				チューブアダプタ				キャップ		最高 回転速度 (rpm)	最大 遠心加速度 (xg)
パーツNo. (員数)	品名	寸法 (φ X L cm)	実容量 (mL/本)	パーツNo. (員数)	品名	寸法 (φ X L cm)	材質 * 2	パーツNo. (員数)	品名		
328353A (10本入り)	50PA チューブ	2.9 X 10.4	38	---	---	---	---	328479A (20個入り)	M-PPフタ	20,000	48,000
328354A (10本入り)	50PC チューブ	2.9 X 10.3	36	---	---	---	---	328479A (20個入り)	M-PPフタ	20,000	48,000
S306352A (10本入り)	50PP ボトルクミ	2.9 X 10.3	34	---	---	---	---	---	---	20,000	48,000
328352A (10本入り)	50PC ボトルクミ	2.9 X 10.3	36	---	---	---	---	---	---	20,000	48,000
328342A (2本入り)	50SST チューブ	2.9 X 10.2	41	---	---	---	---	---	キャップレス	20,000	48,000
市販品	1.5mL マイクロ チューブ*1	1.1 X 3.9	1.5	S407652A (2本入り)	1.5X2A50アダプタ	2.8 X 10.0	POM	---	---	15,000	18,300
464977A (50本入り)	10 ガラスチューブ	1.2 X 10.5	7.4	336712A (8本入り)	10GA50アダプタ	2.8 X 10.1	NBR	---	キャップレス	4,000	1,810
325470A (50本入り)	12PE チューブ	1.6 X 7.5	9.8	S413527A (2本入り)	11A50アダプタ (C)	2.9 X 9.8	PP	424916A (1個入り)	C2-ALキャップクミ	15,000	23,300
329606A (50本入り)	12PA チューブ	1.6 X 7.6	9.9	S413527A (2本入り)	11A50アダプタ (C)	2.9 X 9.8	PP	424916A (1個入り)	C2-ALキャップクミ	15,000	23,300
325751A (50本入り)	12PC チューブ	1.6 X 7.6	10.3	S413527A (2本入り)	11A50アダプタ (C)	2.9 X 9.8	PP	424916A (1個入り)	C2-ALキャップクミ	15,000	23,300
326010A (2本入り)	12SST チューブ	1.6 X 7.6	10.7	S413527A (2本入り)	11A50アダプタ (C)	2.9 X 9.8	PP	424916A (1個入り)	C2-ALキャップクミ	15,000	23,300
325952A (10本入り)	10PC ボトルクミ	1.6 X 8.2	8.2	S413527A (2本入り)	11A50アダプタ (C)	2.9 X 9.8	PP	---	---	15,000	23,300
333959A (10本入り)	11PA アツチューブ	1.6 X 8.2	8.0	S413527A (2本入り)	11A50アダプタ (C)	2.9 X 9.8	PP	328478A (20個入り)	C2-PPフタ	15,000	23,300
326607A (10本入り)	11PC アツチューブクミ	1.6 X 8.3	8.4	S413527A (2本入り)	11A50アダプタ (C)	2.9 X 9.8	PP	---	---	15,000	23,300

* 1 : 市販品のチューブは、メーカー指定の許容回転速度または許容最大遠心加速度以下で使用してください。
許容値を越えて使用するとチューブが破損する場合があります。

* 2 : POM : ポリアセタール NBR : ニトリルゴム PP : ポリプロピレン

許容最高回転速度は、遠心機によって異なります。許容最高回転速度については、ロータに同梱の「適用遠心機一覧表 (高速冷却遠心機用ロータ) (パーツ No.S998611)」を参照願います。

ロータの回転速度は、試料の密度等で制限されます。「1.5 ロータの許容回転速度」を参照願います。



注意 :

チューブ・ボトルは、遠心機の設定温度4~25°Cの範囲でご使用ください。この範囲外で遠心するとチューブ・ボトルが割れたり変形する場合があります。この範囲外で遠心する場合は、予備試験を行い異常が無いことを確認してからご使用ください。

・ 使用条件により、チューブ等が上記記載の最高回転速度に耐えない場合があります。この最高回転速度の数値は、目安であり保証するものではありません。

2.3 チューブ・ボトルの洗浄と滅菌

チューブ・ボトルの洗浄、滅菌条件は表2-2により最適な方法でおこなってください。

ただし、市販品チューブの洗浄と滅菌につきましては、各チューブメーカー推奨の方法によりおこなってください。

● **洗浄について**

チューブ・ボトルは水道水、または中性洗剤の希釈溶液で汚れを落とします。汚れがひどい場合は、中性洗剤の希釈溶液に浸漬するか、柔らかいブラシで傷をつけないよう洗います。その後水道水でよくすすいでから蒸留水ですすぎ、空气中で乾燥します。

PCチューブ・ボトルはアルカリ溶液に弱いため、pH5~9の洗剤を使用してください。また、洗剤の希釈溶液への長時間の浸漬はチューブ・ボトルの強度低下を招きますので、できるだけ避けてください。キャップは分解してからチューブ・ボトルと同様に洗浄し、乾燥して保存してください。

● **PA、PP、PCチューブ・ボトルのオートクレーブについて**

チューブ・ボトルをよく洗浄し、耐熱製のチューブ・ボトルスタンドなどに口部を上にして立てます。変形、破裂を防ぐため、スクリュキャップ、フタを外してください。

滅菌後は滅菌槽が室温まで下がってからチューブ・ボトルを取り出してください。

⚠ 注意：
 外したスクリュキャップ・フタをチューブ・ボトルの口部に乗せた状態で滅菌しないでください。
 チューブ・ボトル内部が密閉状態となり内外の圧力差により変形や破損する場合があります。

表2-2 チューブ、ボトルの洗浄、滅菌条件

条件		材質	○使用可 ×使用不可					
			PE	PA	PC	PP	SST	
洗 淨	洗浄液	pH5 以下	×	×	×	×	×	
		pH5~pH9	○	○	○	○	○	
		pH9 以上	○	○	×	○	○	
		温 水 (50°C以下)	○	○	○	○	○	
	超音波洗浄	中性洗剤 (pH7 の洗浄液使用)	○	○	○	○	○	
滅 菌	高圧蒸気滅菌 (オートクレーブ)	115°C (0.7kg/c m ²)、30 分	×	○	○	○	○	
		121°C (1.0kg/c m ²)、20 分	×	×	○	○	○	
		126°C (1.4kg/c m ²)、15 分	×	×	×	×	×	
		煮沸滅菌	15~30 分間煮沸	×	○	○	○	○
		紫外線滅菌	200~300nm	×	×	×	×	○
	ガス滅菌	エチレンオキシド	○	○	×	○	○	
		ホルムアルデヒド	○	○	○	○	×	
	薬液滅菌	エタノール (70%)	○	○	×	○	○	
過酸化水素 (3%)		○	○	○	○	○		
ホルマリン (3%)		○	○	○	○	×		

PE: ポリエチレン PA: ポリプロピレンコポリマー(PCPO) PC: ポリカーボネート
 PP: ポリプロピレン SST: ステンレス

2.4 チューブ・ボトルの寿命

プラスチック製のチューブ・ボトルは試料の性質、回転速度、温度など使用する条件によって寿命が左右されます。一般に使用される水系試料(pH5~9)の場合、寿命の目安は次のとおりです。なお、下記の回数は最高許容回転速度で1時間繰返し使用した場合の目安であり、チューブ・ボトルの使用回数を保証するものではありません。

- ・チューブ類(PA、PP、PC、PE) 5回
- ・アツチューブおよびボトル類(PA、PP、PC、PE) 50回
- ・市販品のチューブ 1回

ただし、PC アツチューブ・ボトルは洗浄・滅菌など前処理の条件により寿命の目安が表2-3のようになります。

表2-3 繰返し使用回数

洗浄・滅菌 試料	ガス滅菌 及び湯洗	オートクレーブ 121°C×20 分
中性(pH7)	50 回	10 回
弱アルカリ(pH7~9)	30 回	5 回

チューブ、ボトルでクレージング（ヒビ割れ）の発生したものは使用しないでください。

3. ロータの使用法

3.1 チューブ・ボトルの準備

チューブ・ボトルに割れ、変形がないか点検します。著しく変形したものや、割れの生じたものは使用しないでください。



警告：

- ・爆発性、引火性のある試料は、使用しないでください。
本ロータおよび遠心機は防爆構造になっておりません。
- ・遠心機において、病原体、DNA組み替えなど生物的隔離が必要な生体試料、およびRI物質などの使用は安全のうえから使用制限があります。これらの物質を含む試料を分離する場合には、十分な安全管理をおこなってください。



注意：

- ・別冊の「耐薬品性一覧」を参照してチューブ・ボトル、チューブ・ボトル用キャップ等の材質に対して使用不可となっている試料は使用しないでください。材料劣化を引き起こします。
- ・チューブ・ボトルの強度や耐薬品性は、温度や回転速度などの影響で変わります。実試料で評価する前に、実際の遠心条件で予備試験を行い、問題が無いことを確認してください。
- ・チューブ・ボトルは規定された実容量以下の液量で使用してください。
実容量を越えて試料を入れると、液漏れや変形を起こす場合があります。
- ・チューブ・ボトルと試料はキャップ・アダプタを含めて許容インバランス以内にバランスをとってください。
許容量を超えたインバランス運転をすると、遠心機およびロータが損傷する場合があります。
- ・試料と同じ密度の溶液でバランスをとってください。試料間の密度が異なると、インバランス量が増加します。

チューブ・ボトルの形式により、取り扱いは次のようになります。

(1) 簡易形

チューブ・ボトルに試料を入れ、フタ、スクリュキャップをしっかり取付けます。その際、試料を実容量を越えて入れますともれが生じます。実容量以下でご使用ください。

ロータの対称位置にセットするチューブ・ボトルのバランスを取ってください。

ロータの対称位置にセットするチューブ・ボトルの許容インバランス量(質量差)を2 g以内としてください。

(2) シールキャップ形

キャップボディにOリングをはめ込み、キャップスクリュにはガスケットを押し込んでください。チューブに試料を2/3程度入れ、キャップボディを押し込みます。注射器等で小穴から試料を注入し、液量を満量にしてください。ロータの対称位置にセットするチューブのインバランス量は許容インバランス量(質量差)を2 g以内にし、キャップスクリュをしっかり締め付けてください。

- ステンレスチューブは、質量差の少ない(1g以下)もの2本を1組にして、質量を刻印した上で出荷されます。この2本を対称の位置にセットしてご使用ください。

3.2 チューブ・ボトルのロータへのセット

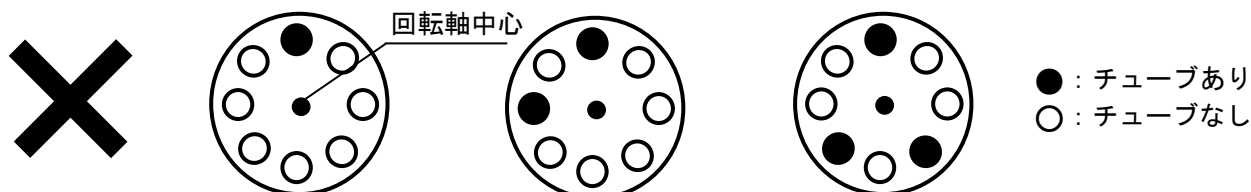


注意：

1本だけのセット、あるいは、回転軸に対して非対称にチューブ・ボトルをセットしないでください。過大なインバランス運転となり、遠心機およびロータを損傷する恐れがあります。

ロータのチューブ穴の中に異物が入っていないことを確認します。2本1組となるように、回転軸に対して対称の位置にセットしてください。

ロータの運転温度が室温より低い場合、または高い場合は、チューブをロータにセットする前にあらかじめロータを予冷または予熱してください。下図に誤ったチューブのセット例を示します。

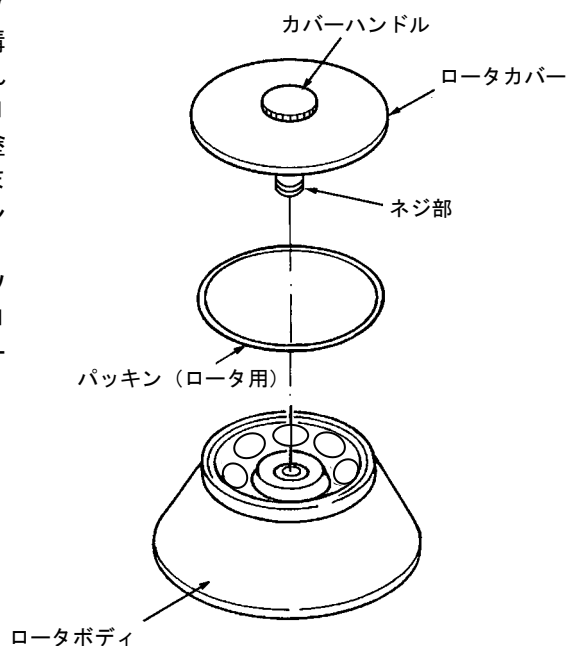


3.3 ロータカバーの締付け

⚠ 注意：

- ・ ロータカバーは必ず取付け、カバーハンドルをしっかりと締付けて使用してください。
ロータカバーを取付けていなかった場合や、カバーハンドルの締付けが不足していると回転中にロータまたはロータカバーが離脱し、遠心機およびロータを損傷します。
- ・ ロータカバーの着脱は必ずロータを遠心機から取り出してから行ってください。
これを守りませんと、ロータカバーの締付けが不十分になったり、ロータカバーの部品が破損する場合があります。

- (1) パッキン（ロータ用）にシリコングリス（バキュームグリス）（遠心機本体付属）を塗布して、ロータボディの溝部へ入れます。パッキン（ロータ用）に損傷、劣化が見られる場合は、新しいものと交換してください。パッキン（ロータ用）へシリコングリス（バキュームグリス）を塗布しないと、ロータカバーの着脱がきつくなることがあります。ロータカバーの着脱がきつくなった場合は、シリコングリス（バキュームグリス）を塗布してください。
- (2) カバーハンドルのネジ部へ潤滑グリス（ネジ潤滑剤）（パーツ No. 84810601）を塗布します。ロータカバーをロータボディの上へ乗せます。カバーハンドルを回して、ロータボディにねじ込み、十分に締め付けてください。



3.4 運転

ロータを、静かに確実に遠心機の回転軸にセットします。ロータをセットした際、ロータカバーが取付けられていること、およびカバーハンドルが十分に締付けられていることを確認します。遠心機の取扱説明書に従って運転します。

3.5 試料の取り出し

回転が終わったら、ロータを静かに遠心機から取り出し、カバーハンドルを回してロータカバーを外します。ロータからチューブ・ボトルを取り出して、試料を回収します。

4. ロータの手入れ

4.1 ロータの耐食性



警告：

別冊の「耐薬品一覧表」において、ロータの材質に対して使用不可になっている試料は使用しないでください。

本ロータボディの材質はアルミ合金です。アルミ合金製ロータは、耐食性に優れた素材を使用し表面を陽極酸化被膜で保護しています。しかし、耐薬品性上で使用不可になっている試料を使用しますと腐食や材料の溶解を招き、ロータの強度を低下させます。別冊の「耐薬品性一覧表」を参照して、ロータの耐薬品性が問題ない試料をお使いください。

4.2 ロータの清掃

ロータ破損の原因となる腐食を防ぐため、使用後は手入れをおこなってください。

●通常の手入れ



注意：

ロータの回転軸挿入穴（クラウン穴）と遠心機の回転軸（クラウン）の表面を1回／月の割合で清掃してください。回転軸挿入穴や回転軸に汚れや付着物があると、ロータの回転軸への取付けが不完全となり、回転中にロータの離脱を引き起こす恐れがあります。

ロータの使用後は、水道水または中性洗剤の希釈溶液でよく洗い、蒸留水ですすぎます。柔らかい布で水滴を拭きとり、カバーをとったままロータを逆さまにして乾燥します。ロータが完全に乾いたことを確かめてから、シリコングリース（バキュームグリース）（遠心機本体付属）を薄く塗布し、乾燥した雰囲気中で保管してください。

●腐食性の試料を用いた場合

使用後直ちに水道水でよくすすぎます。その後、通常の手入れをおこなってください。

●ロータに付着物がある場合



警告：

ロータは、100℃以上温度を上げないでください。温度が上昇しますと、材質が変化し、強度が弱くなる場合があります。



注意：

洗剤をお使いになる場合は、pH5～9の中性洗剤をご使用ください。それ以外の洗剤を使用しますと、変色、腐食の原因となります。

ロータを1～2時間温水に浸した後、チューブ穴や、ロータ底の回転軸挿入穴（クラウン穴）を柔らかいブラシでよく洗い、付着物を取り除いてください。とくにロータ底の回転軸挿入穴（クラウン穴）に付着物がありますと、ロータや回転軸を破損することがありますのでご注意ください。

4.3 ロータの滅菌

このロータの滅菌は、オートクレーブ滅菌(121℃、20分間)、ガス滅菌(エチレンオキシド、ホルムアルデヒド)、薬液滅菌(70%エタノール、3%過酸化水素、3%ホルマリン)のいずれかの方法で行ってください。プラスチックやゴム製のアダプタの滅菌は、ガス滅菌(エチレンオキシド、ホルムアルデヒド)、薬液滅菌(70%エタノール、3%過酸化水素、3%ホルマリン)のいずれかの方法で行ってください。



警告：

- ・オートクレーブ滅菌が可能なロータは、製造番号4001以降のロータに限ります。それ以前のロータは、オートクレーブ滅菌に対応しておりません。
- ・オートクレーブ滅菌は、ロータカバーを必ずロータから外して行ってください。ロータカバーを取り付けたままオートクレーブ滅菌をすると、ロータやロータカバーが変形する場合があります。
- ・煮沸滅菌は強度低下を招くため、絶対に行わないでください。



注意：

- ・滅菌槽が室温まで下がってからロータおよびロータカバーを取り出してください。
- ・滅菌槽からの取り出しは慎重に行ってください。水滴が付いて滑りやすくなっているため、落としてけがをすることがあります。
- ・滅菌後はパッキン(ロータ用)を点検してください。パッキン(ロータ用)が劣化しますと回転中に破損する恐れがあります。パッキン(ロータ用)に損傷、劣化が見られる場合は、新しいものと交換してください。
- ・薬液での浸漬滅菌は、絶対に行わないでください。ロータ内部に薬液が残留し故障の原因となります。
- ・アダプタのオートクレーブ、煮沸滅菌は、絶対に行わないでください。アダプタが変形し、使用できなくなる場合があります。

4.4 ロータの点検

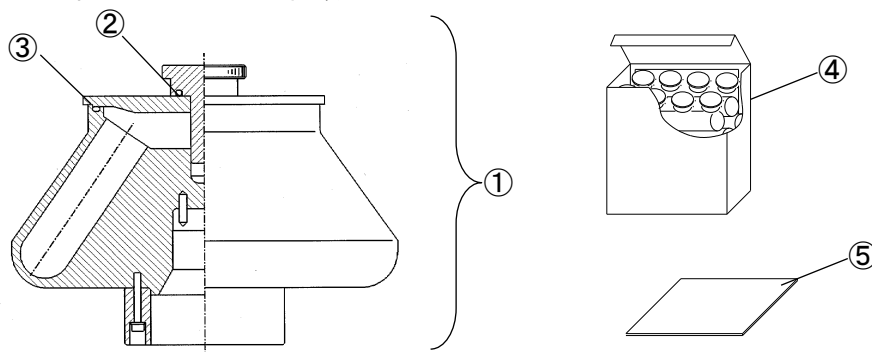
ロータは定期的(100時間使用毎または1回/月)に腐食をチェックしてください。特にロータのチューブ穴およびロータ底のクラウン穴等は、腐食した場合の強度低下が大きいので十分にチェックしてください。腐食は表面の変色、くぼみ、クラック等により見分けることができます。腐食をみつけた時にはその後のロータの使用をやめ、お買い求めいただいた販売店もしくは当社のサービス担当に連絡しチェックを受けてください。

5. 部品・付属品一覧

ロータ受領時に、ロータの部品、付属品のチェックをおこなってください。万一、欠品または不良品がございましたら、お買い求めになられた販売店、または、当社のサービス担当までご連絡ください。

番号	部品名	個数	備考
①	ロータ	1	—
②	パッキン (ハンドル用) (Oリング)	1*	—
③	パッキン (ロータ用)	1*	—
④	50PA チューブクミ	1	50PA チューブ : 8 個 M-PP フタ : 8 個
⑤	取扱説明書	1	パーツNo. S 9 9 8 2 5 7

※:ロータに組み込まれている個数



6. 補給用部品一覧

外観図	パーツ No.	品名	入数
	8 4 5 2 1 0 1 7	パッキン (ハンドル用) (Oリング)	3
	S 4 0 9 6 7 5 A	パッキン (ロータ用)	3
	3 2 8 3 5 3 A	50PA チューブ	1 0
	3 2 8 4 7 9 A	M-PP フタ	2 0
	8 4 8 1 0 6 0 1	潤滑グリス (ネジ潤滑剤)	1
	4 8 3 7 1 9	シリコングリース (バキュームグリース)	1
	S 9 9 8 2 5 7	ロータ取扱説明書	1

7. 汚染除去について



警告：

- 装置、ロータ、および付属品が有害物質、放射性物質、病原性物質あるいは感染性が否定できない血液等の試料で汚染された場合には必ず使用者の定める適切な汚染除去の手順に従って処理してください。
- お買い求めいただいた販売店もしくは当社のサービス担当に修理を依頼される場合、装置、ロータ、または付属品等が有害物質、放射性物質、病原性物質あるいは感染性が否定できない血液等の試料により、人の健康に被害を生ずる汚染された状態またはそのおそれがあるときは、必ず事前に、装置使用者の責任において適切な消毒・汚染除去を行ってください。
この消毒・汚染除去が完了するまで、当社は装置の修理ができません。
- 装置、ロータ、および部品等を返送される場合は、必ず事前に、装置使用者の責任において適切な消毒・汚染除去を行ってください。尚、ロータに付属している汚染除去書をコピーしご記入の上、修理・返却品等に添付してください。
当社施設で遠心機、ロータ、または付属品等を受け取り、当社の見解として有害物質、放射性物質、病原性物質あるいは感染性が否定できない血液等の試料による汚染が除去されていないと判断した場合、装置の処理について指示をいただくためにお客様にご連絡させていただきます。
装置、ロータ、および部品等の消毒・汚染除去等の処理にかかる費用は、お客様にご負担いただきます。この消毒、汚染除去が完了するまで、当社は修理や調査等ができません。
- ご相談、ご質問は、裏表紙の遠心機お客様相談センターにお問い合わせください。

8. ロータのリタイアメント

ロータを長年使用し続けると、経年劣化や腐食等が徐々に進行し、ロータの外観上に変化が見られなくてもロータの強度が低下している可能性があります。このようなロータを使い続けることにより破壊事故等を起こす恐れがありますので、以下に示すリタイアメント年数を過ぎたロータは廃棄されるようお願いいたします。

ロータ種類	材質	リタイアメント年数
高速冷却遠心機用ロータ	アルミ合金 ステンレス鋼	15年

9. ロータの廃棄について

- ・廃棄物は、お使いになったお客様が自らの責任において適正に処理することが「廃棄物の処理及び清掃に関する法律」（廃掃法）で定められております。ロータ（バケット、チューブ、ボトル、アダプタなども同様です）を廃棄するときは、産業廃棄物処理の許可を持った廃棄物処理業者に廃棄処理を委託してください。なお、ロータ（バケット、チューブ、ボトル、アダプタなども同様です）が有害物質、放射性物質、病原性物質あるいは感染性が否定できない血液等の試料などで、人の健康に被害を生ずるような汚染が生じていたり、またはその恐れがあるときは、廃棄物処理業者に汚染物質を使用された旨ご通知願います。
- ・ロータの廃棄でお困りの場合は、裏表紙の遠心機お客様相談センターにお問い合わせください。

付録. K ファクタについて

・ 分離時間の求め方

粒子の沈降時間を推定するために必要なファクターとして、試料固有のファクターである Svedberg unit (S) とロータ固有のファクターである K ファクタがあります。

1S の粒子が Rmin. から Rmax. まで沈降される時間が、K ファクタとなります。

K ファクタは次式により求められます。

$$K = \frac{\ln(R \text{ max. }) - \ln(R \text{ min. })}{\omega^2} \cdot \frac{10^{13}}{3600}$$

ω : 角速度 $\omega = 2\pi/60 \times N$

N : 回転速度 (rpm)

Rmin. : ロータの回転中心から溶液上面までの距離 (cm)

Rmax. : ロータの回転中心からチューブ底面までの距離 (cm)

K ファクタを用いることにより沈降時間 t(hr)は、

$$t = \frac{K}{S}$$

と表わされます。

例えば、R20A2 ロータの最高回転速度 20,000rpm での K ファクタは、424 であり、このロータを用い 100S の粒子を Rmin. から Rmax. まで沈降させるには

$$t = \frac{424}{100} = 4.2 \text{ 時間}$$

かかり、また同一ロータで 15,000rpm で 100S の粒子を分離するには

$$K = \left(\frac{20,000}{15,000} \right)^2 \times 424 = 754 \quad t = \frac{754}{100} = 7.5 \text{ 時間}$$

かかることとなります。

MEMO

エッペンドルフ・ハイマック・テクノロジーズ株式会社

〒312-8502 茨城県ひたちなか市武田1060番地

遠心機お客様相談センター **フリーダイヤル** (0120) 02 - 4125 (無料)

(土・日・祝日・弊社特別休業日を除く 9:00~12:00 13:00~17:00)

(URL <https://www.himac-science.jp>)